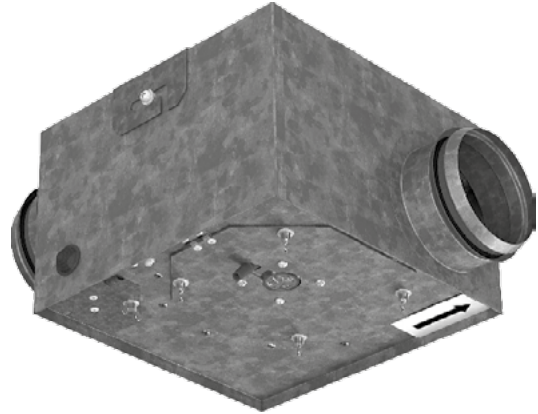


INSTALLATION GUIDE

IN-LINE CENTRIFUGAL FAN

- VKP 100
- VKP 125
- VKP 150
- VKP 125/125x2
- VKP 150/150x2
- VKPF 100/100x2
- VKPF 125/125x2



Tools required



Pencil



Drill
Ø 6 mm



Screwdriver



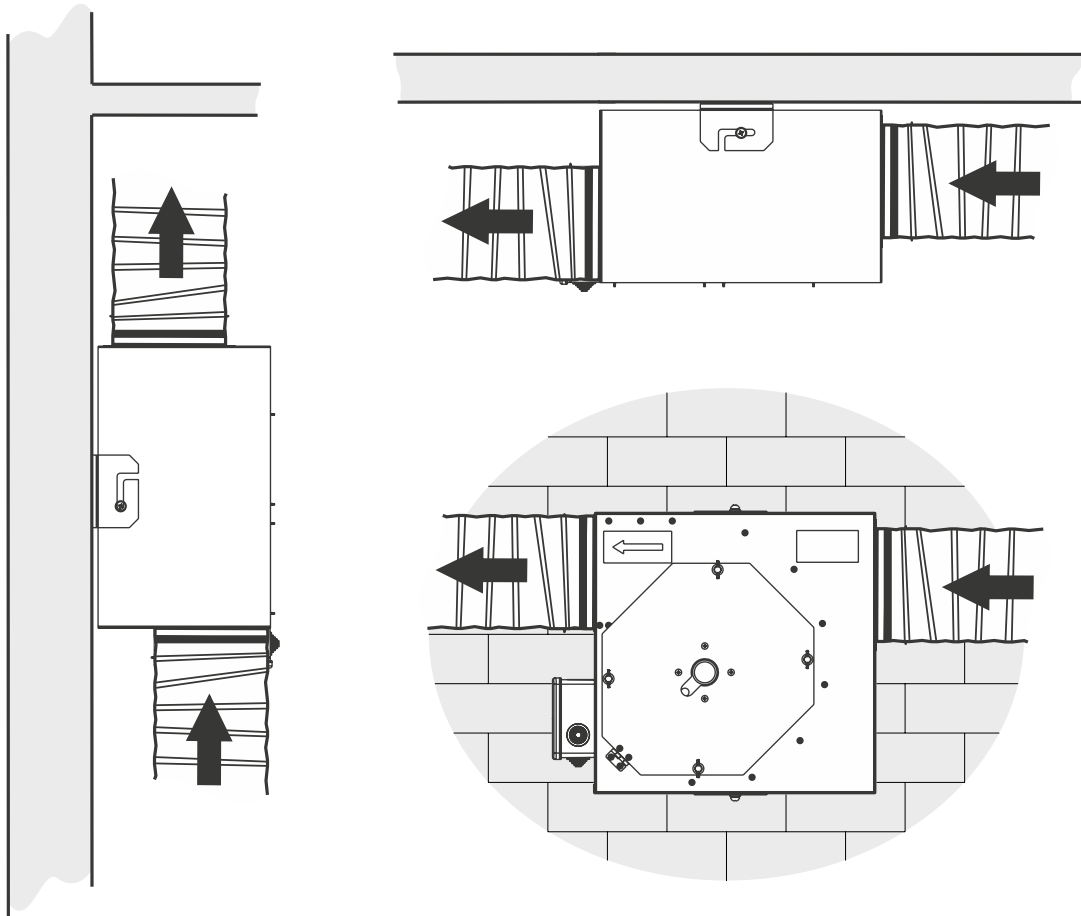
Dowel 4 pcs
NTW 6/35



Screws 4 pcs
4/35

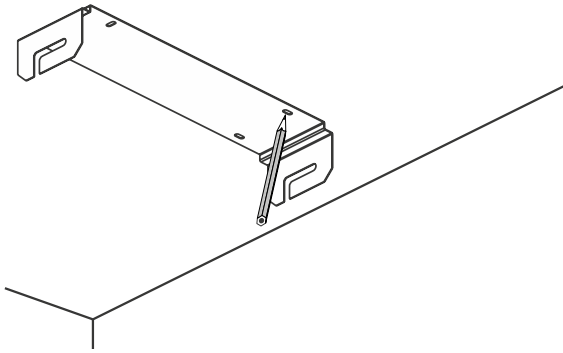
MOUNTING

Typical Fan installation

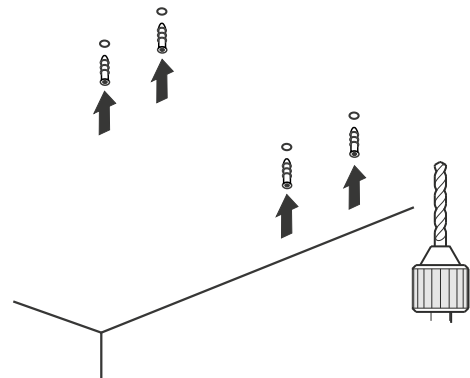


The process of fan mounting with the use of a bracket together with four screws and dowels is shown in Fig. 1-4.

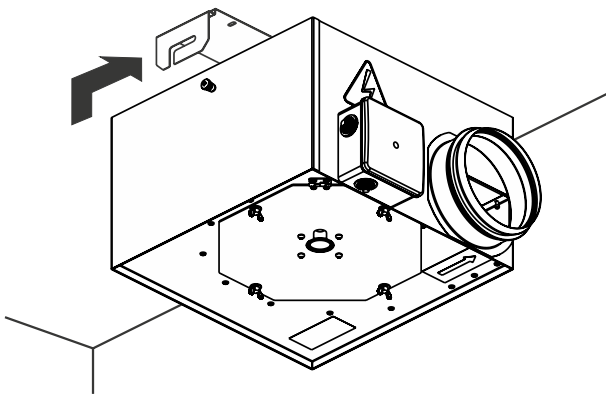
1. Mark fastening holes



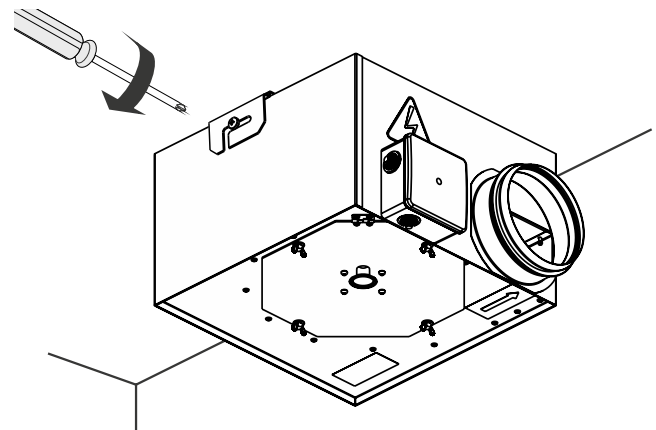
2. Drill fastening holes



3. Install the casing on the mounting bracket

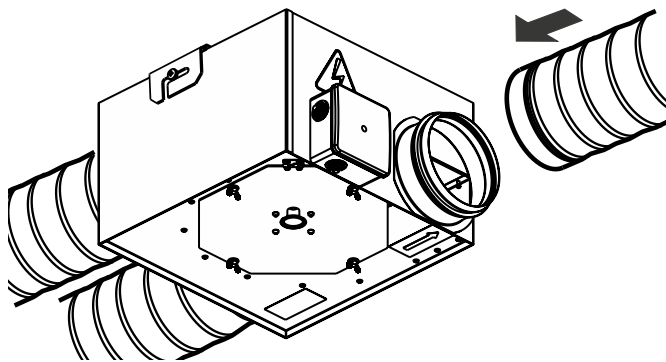


4. Tighten the screws

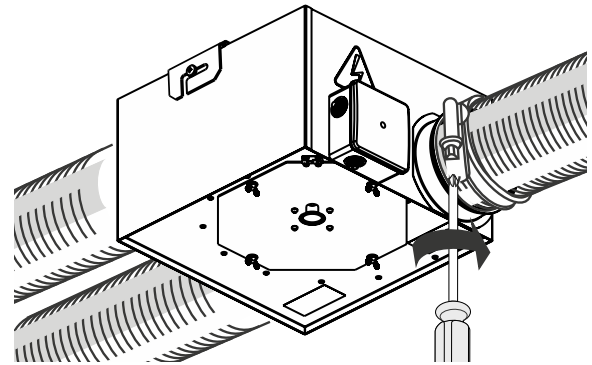


The process of ventilation shaft attachment is shown on Pic. 5-6. Air flow direction should match the direction of an arrowhead placed on the fan case.

5. Connect air ducts



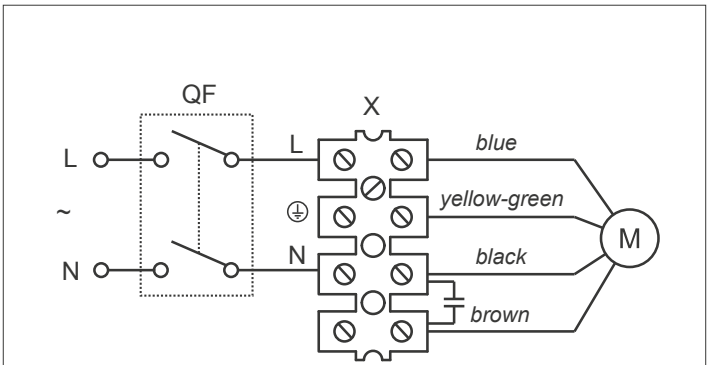
6. Fix air ducts with clamps



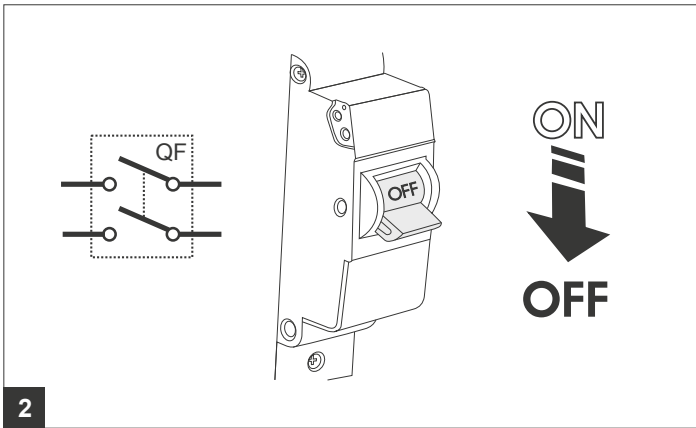
Input: 120 V AC 60 Hz. Fans are designed for continuous operation without disconnection from network. Wiring diagram is shown on Pic.1.

To connect the fan to the power network it is necessary to:

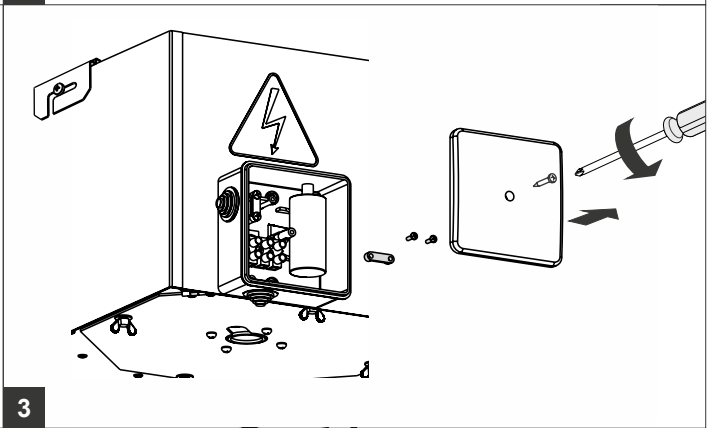
- shut off the power network (Pic.2);
- remove the cover from the terminal box (Pic.3);
- remove the clamping bar (Pic. 3);
- lay out the cables through the terminal box lug, remove the insulation from the cables ends for ¼ of an inch (6-7mm) length, connect them to proper terminals up to the stop of insulation and fix with screws (Pic.4);
- place back the clamping bar, tighten up the lug and install the cover on the terminal box (Pic.5).



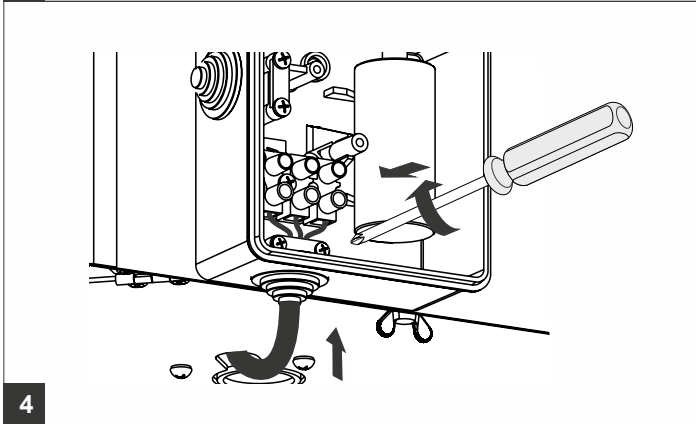
1



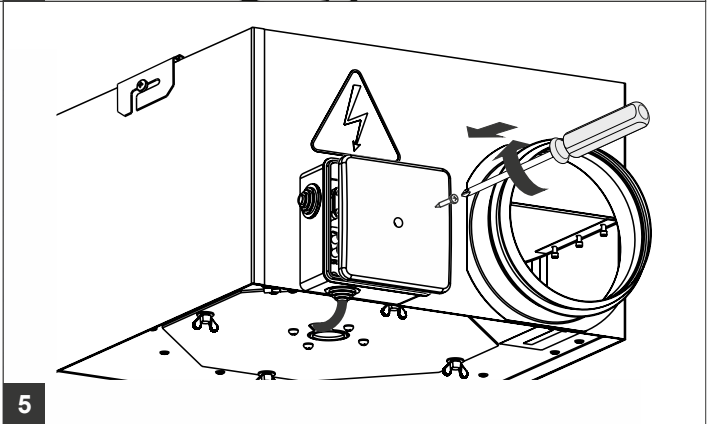
2



3



4



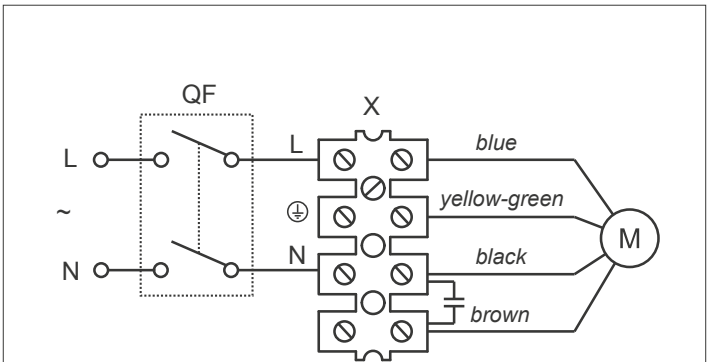
5



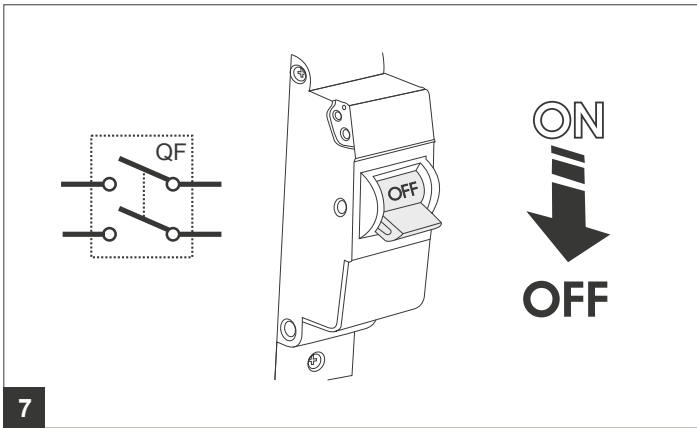
Input: 120 V AC 60 Hz. Fans are designed for continuous operation without disconnection from network. Wiring diagram is shown on Pic.6.

To connect the fan to the power network it is necessary to:

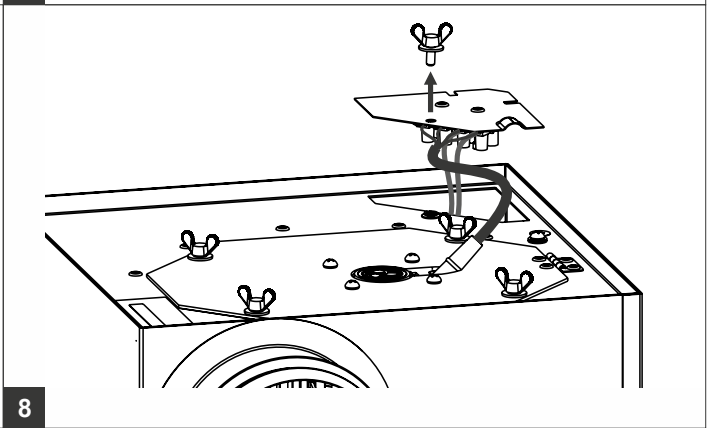
- shut off the power network (Pic.7);
- remove the butterfly screw on the inspection cover and disconnect the inspection cover from the case (Pic.8);
- remove the insulation from the cables ends for ¼ of an inch (6-7 mm) length, connect them to proper terminals up to the stop of insulation and fix with screws (Pic.9);
- fix the inspection cover on the case using the butterfly screw (Pic.10).



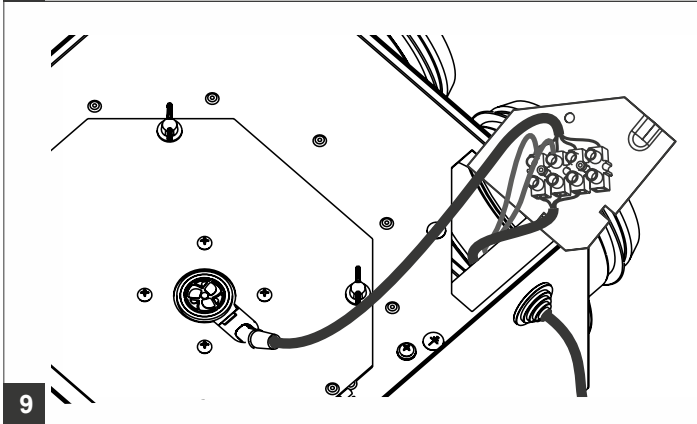
6



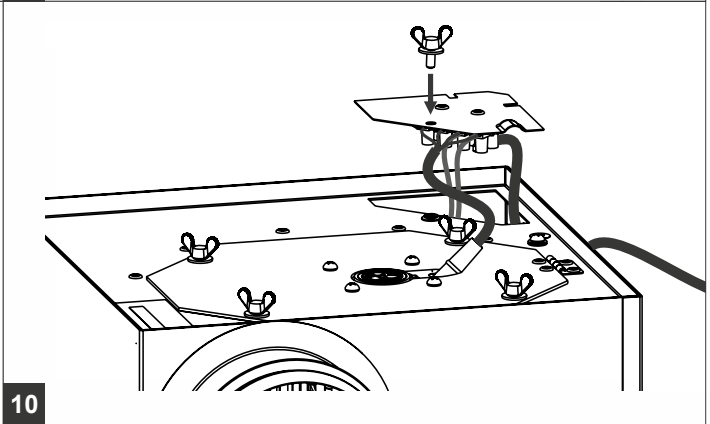
7



8



9



10

