

# MA Series

## AXIAL FAN



Axial extract MA fans with automatic shutters. Designed for through the wall or wall mount application. Air performance tested as per AMCA standards. Certified by ETL and conforms to UL & ULC electrical safety standards.

### Applications

- Bathroom exhaust
- Living area

### Casing

- Durable plastic housing constructed of ETL recognized, UV protected thermoplastic resin (flame rating - 5VA).

### Motor

- Sleeve bearing motor ensures quiet operation and designed for operation up to 20,000 hours. Suitable for air stream temperature from 34 °F to 113 °F.

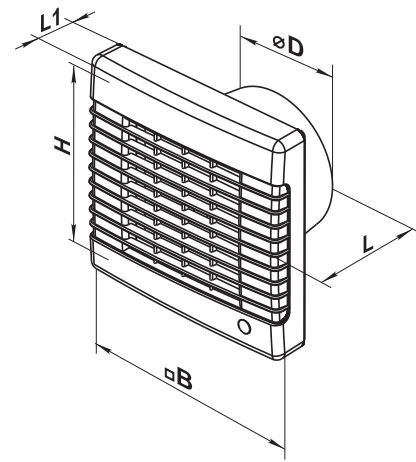
### Benefits

- Sizes available from 4", 5", 6"
- Quiet and powerful
- Vibration free operation
- Easy installation
- Corrosion resistant
- UV resistant, UL94 certified plastic
- ETL listed



## Dimensions

Model	Measurements [in.]				
	B	H	L	ØD	L1
100 MA	6 <sup>1</sup> / <sub>2</sub> "	5 <sup>7</sup> / <sub>8</sub> "	3 <sup>5</sup> / <sub>8</sub> "	3 <sup>7</sup> / <sub>8</sub> "	1 <sup>1</sup> / <sub>4</sub> "
125 MA	7 <sup>1</sup> / <sub>2</sub> "	6 <sup>13</sup> / <sub>16</sub> "	3 <sup>7</sup> / <sub>8</sub> "	4 <sup>15</sup> / <sub>16</sub> "	1 <sup>5</sup> / <sub>16</sub> "
150 MA	8 <sup>3</sup> / <sub>8</sub> "	7 <sup>11</sup> / <sub>16</sub> "	4 <sup>1</sup> / <sub>2</sub> "	5 <sup>7</sup> / <sub>8</sub> "	1 <sup>5</sup> / <sub>16</sub> "



## Performance

AMCA International Licensed Products

Model	RPM*	Sones	Duct Dia	Watts*	Amps*	CFM vs. Static Pressure (Ps) in WG		Max Ps	Volts
						0"	0.03"		
100 MA	2756	1.82	4"	17	0.18	44	37	0.17	120 / 60 Hz

AMCA International Non-Licensed Products

Model	RPM*	Sones	Duct Dia	Watts*	Amps*	CFM vs. Static Pressure (Ps) in WG		Max Ps	Volts
						0"	0.03"		
125 MA	2150	2.6	5"	19.2	0.21	102	90	0.18	120 / 60 Hz
150 MA	2130	2.7	6"	35.2	0.4	176	158	0.196	120 / 60 Hz

## Specification

Voltage: 120 V, 60 Hz

Motor: AC motor

Duct compatibility: Ø 4", 5", 6"

Airflow capacity: up to 176 CFM

Sones: 1.82 - 2.7

Power consumption: 17 - 35.2 W

Suitable for working airstreams up to 113 °F

IPX34 protection

Five year warranty

## Contacts

Tel: 888-640-0925

513-348-3853

Fax: 513-268-4597

Sales@ventsus.com

VentsUS.com

11013 Kenwood Road, Cincinnati, Ohio 45242

VENTS-US reserves the rights to modify any of its products features, designs, components, and specifications at any time and without notice to maintain the development and quality of manufactured goods.

