

ASSEMBLY INSTRUCTIONS:

Product Code : SB2P1275, SB2P1575, SB2P1875

Product Name: Boost Static Back to Back Workstation

TIME REQUIRED:

30 minutes

TOOLS REQUIRED:

Screwdriver, Electric Drill, Pencil, Measuring tape/Ruler.

*Tools are not included.

SKILL REQUIRED:

Easy ●●●○○ Hard

The Assembly Skill Rating is a 5-point system that shows the degree of effort needed in assembling a specific product. With 1 being easy for the average person and 5 requiring an expert. For most products, two persons are recommended.

Please note, as this is a commercial product, some intermediate skills are required.

*No pre-drill holes or markings are provided on tops.

NOTE

- As this is a commercial product, some intermediate skills may be required.
 - No pre-drill holes or markings are provided on our table or desk tops.
 - Please check you have all hardware before assembling.
- If you are missing any hardware, please contact your Rapidline reseller. Please ensure you have the name of the item, required hardware part and quantity.
 - Please retain your receipt as proof of purchase to validate your warranty.
- Assemble on a clean, flat, smooth surface such as a rug or carpet to avoid parts from being scratched.
 - Remove all wrapping materials, including staples and packing straps before you start to assemble
 - Keep all hardware parts out of reach of children.

CAUTION

- Heavy product. Do not attempt to lift or move without help
- Do not tighten screws and bolts until completely assembled.
- Do not use this product unless all bolts and screws are firmly secured and tightened.

WARNING

- If parts are missing, broken, damaged or worn stop using the product until all repairs are made.
 - Failure to follow these warnings could result in serious injury.

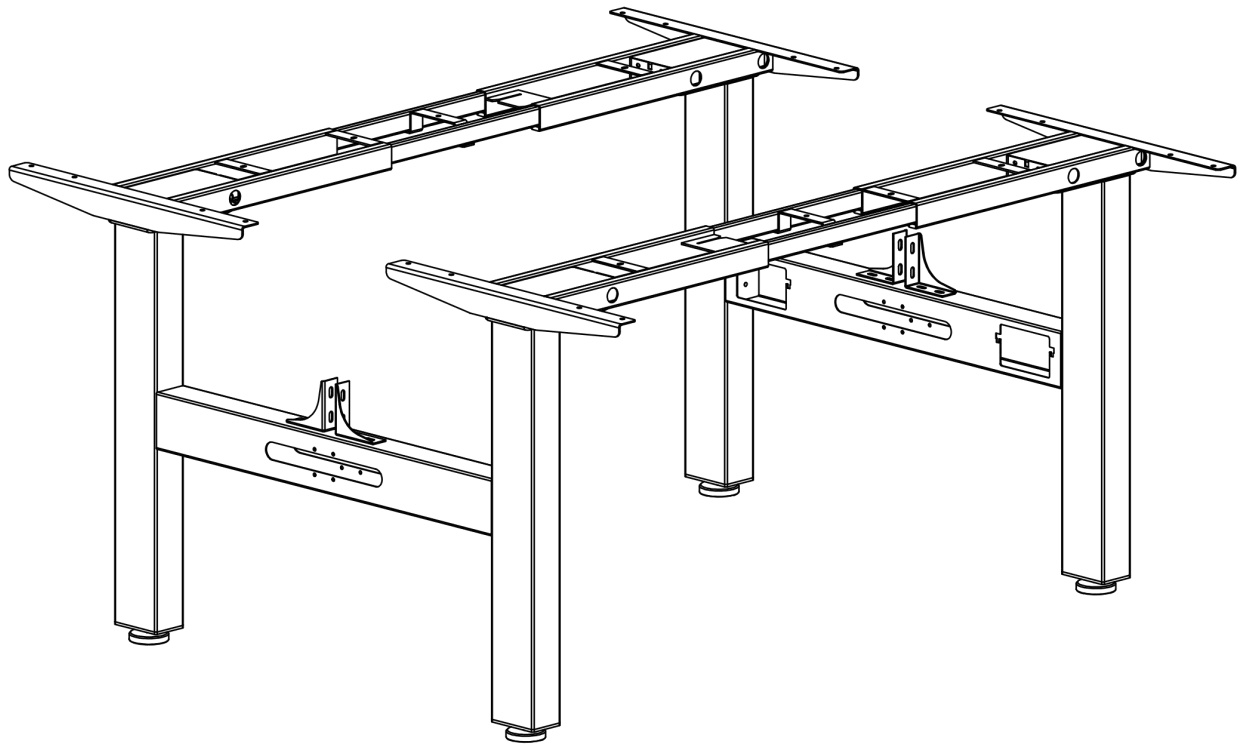
rapidline

Boost Static Back To Back Fixed Height Workstation

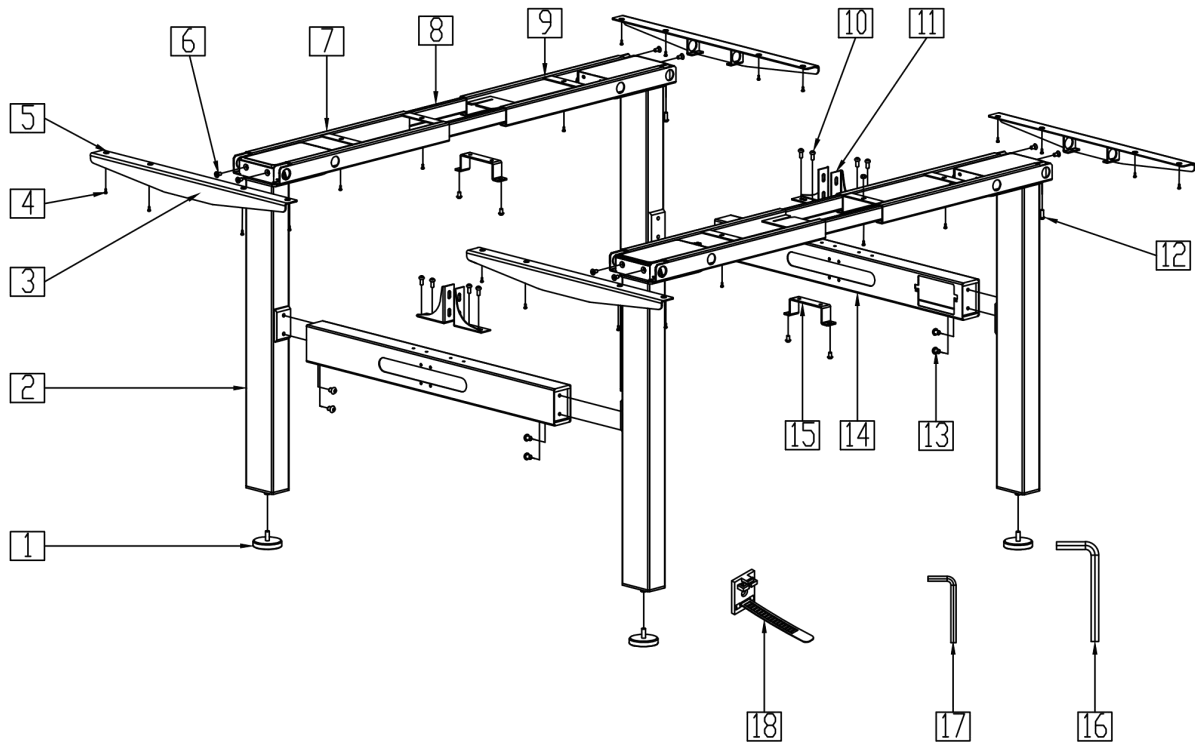
Instruction Manual

Table of Contents

Component parts	2
Assembly Instructions	3



Component parts

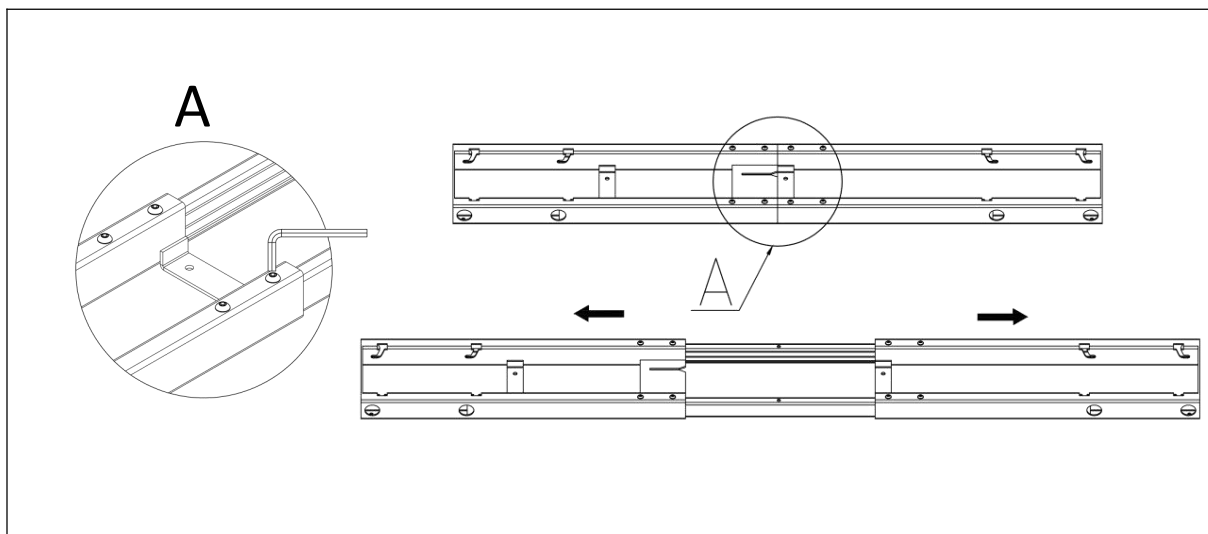


NO.	Component Name	PCS	NO.	Component Name	PCS
1	Leveling pad	4	10	Bolts M6x10	14
2	Column	4	11	Screen brackets	4
3	Side Bracket	4	12	Bolts M6x16	10
4	ST4x20	40	13	Bolts M8x10	8
5	Rubber pad	24	14	Connected beam	2
6	Bolts M6x12	10	15	Centre bracket	2
7	Top frame -1	2	16	Allen Wrench(5mm)	1
8	Centre rails	4	17	Allen Wrench(4mm)	1
9	Top frame-2	2	18	Cable Tie	10

Assembly Instructions

Step 1

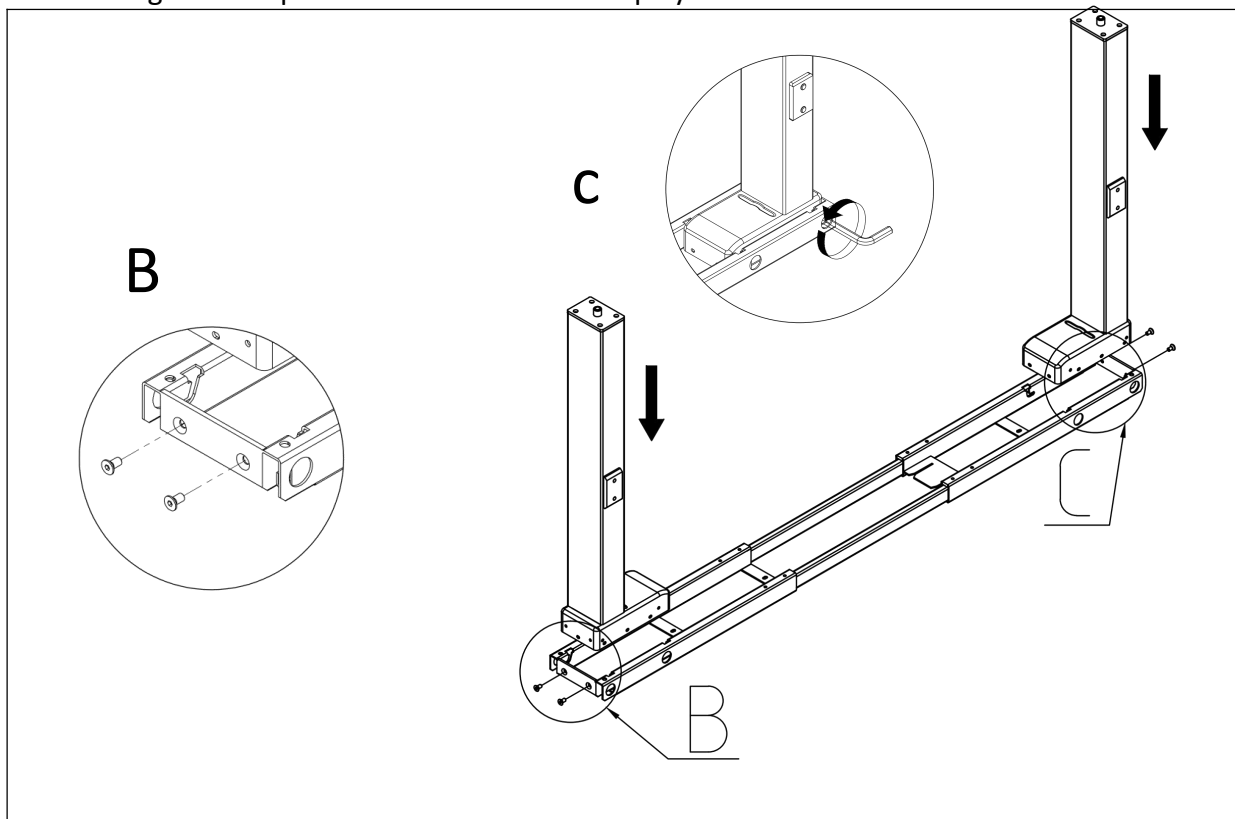
Loosen the pre-installed bolts and Adjust the length of the top frame to match the size of the table top.



Step 2

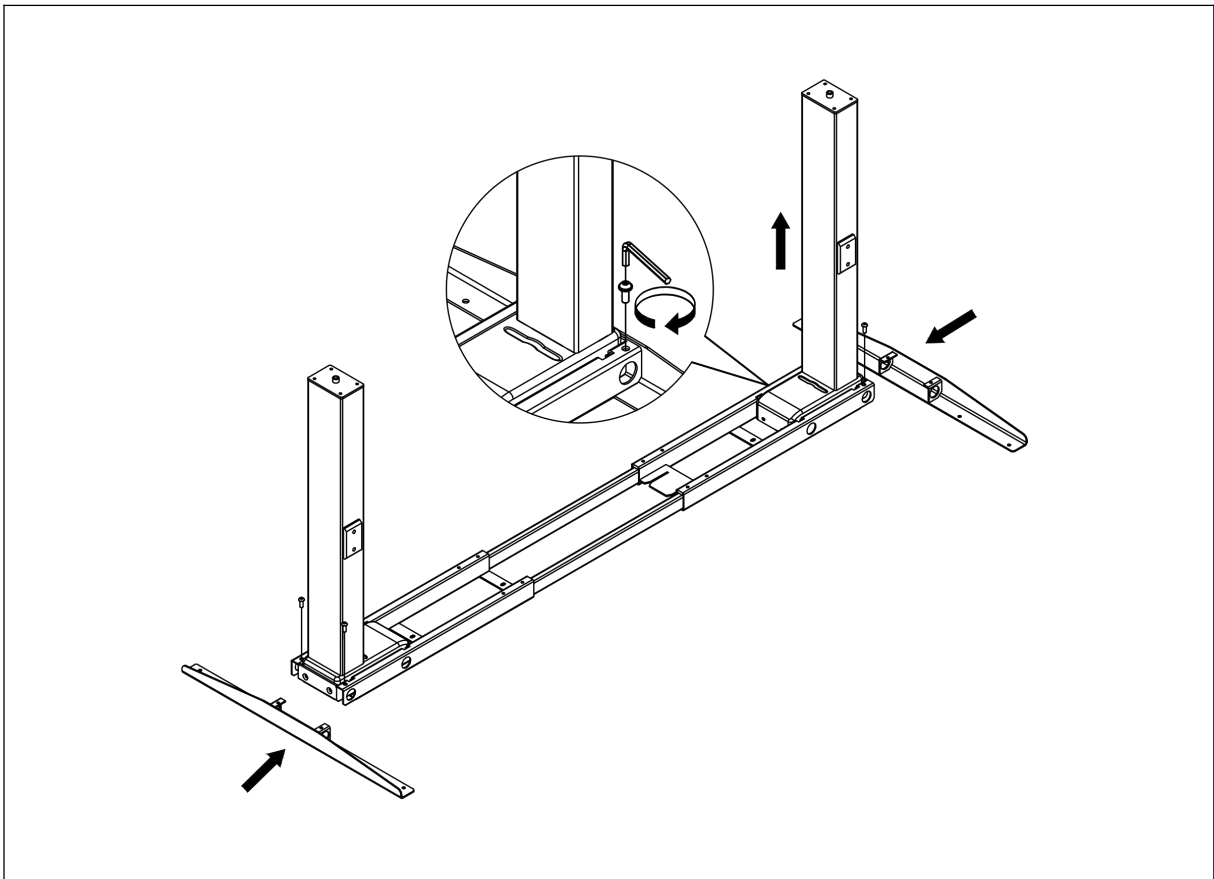
Inset the column to the top frame.

- First fix 8pcs screws M6x12 like **B** displayed
- And then tighten the pre-installed bolts like **C** displayed



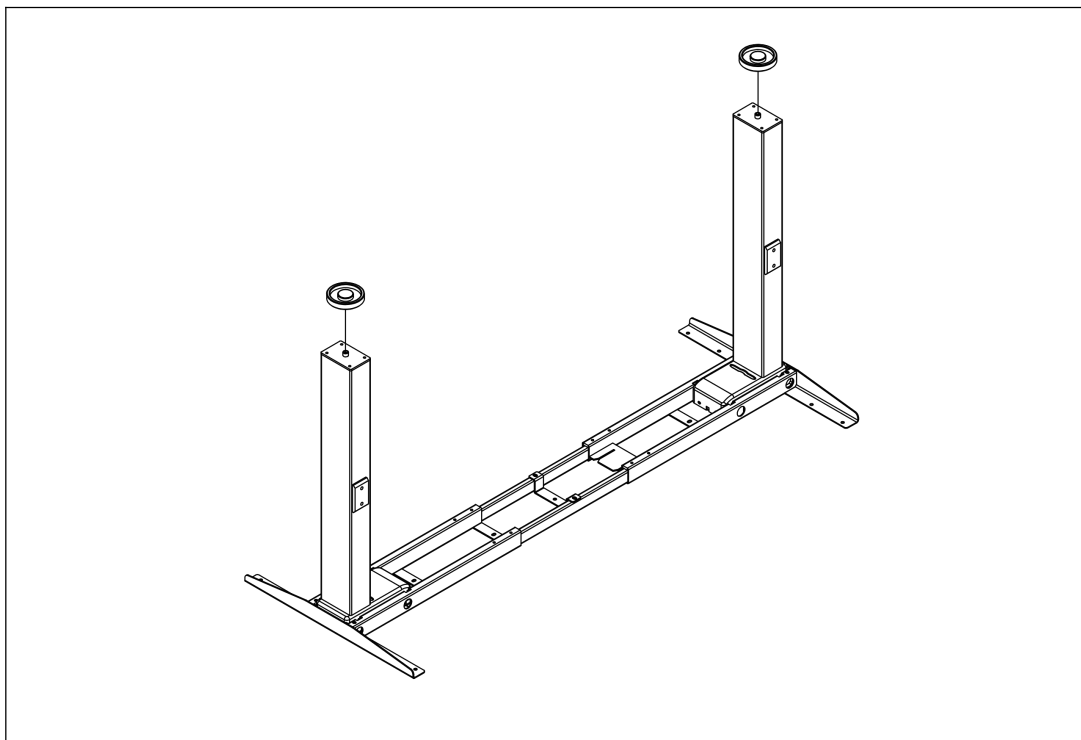
Step 3

Install the side brackets with Screws 8 pcs M6x16,



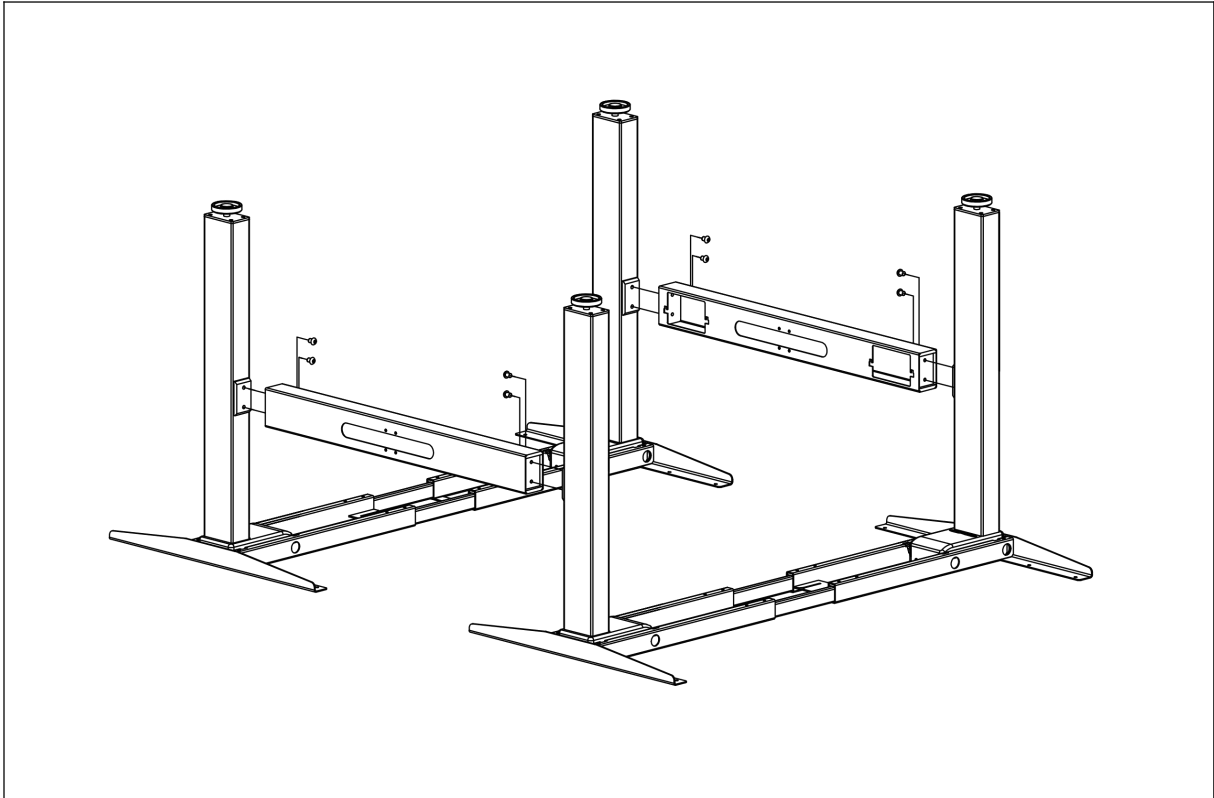
Step 4

Install the leveling pads



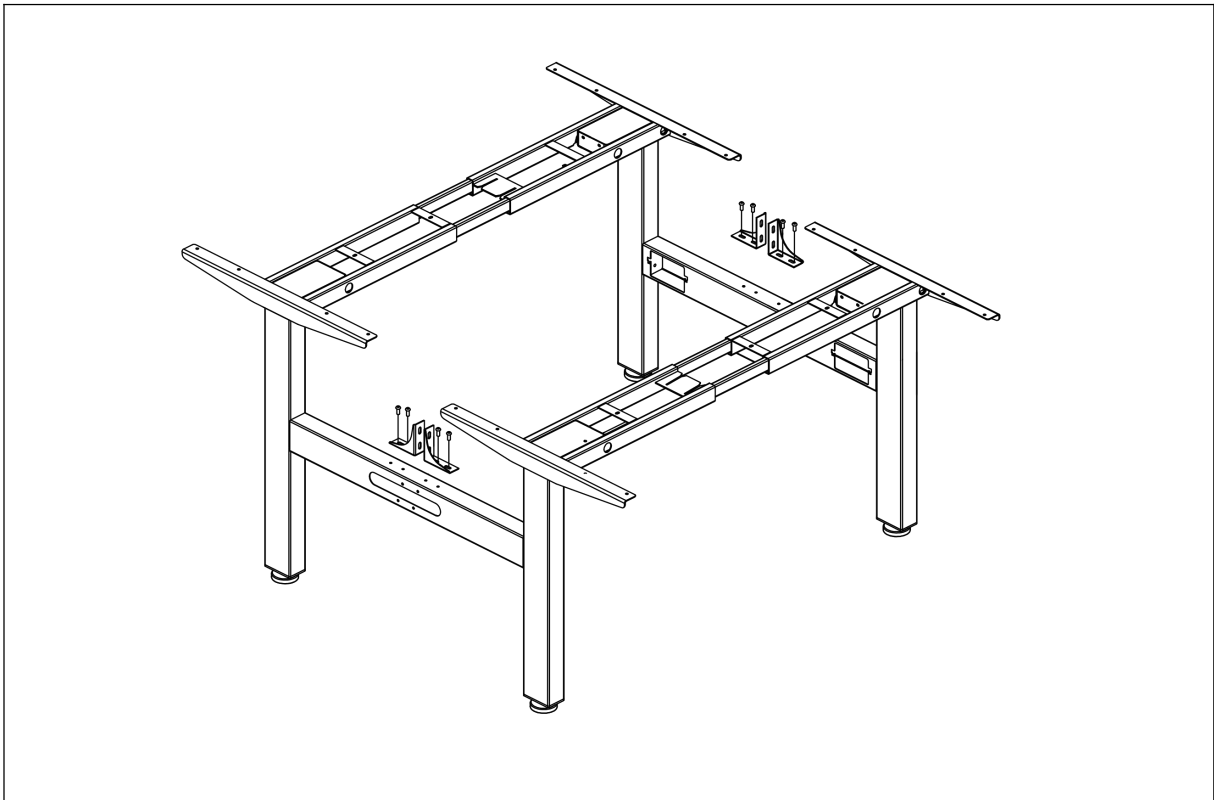
Step 5

Install the connected pipe with 8 pcs screws M8x10



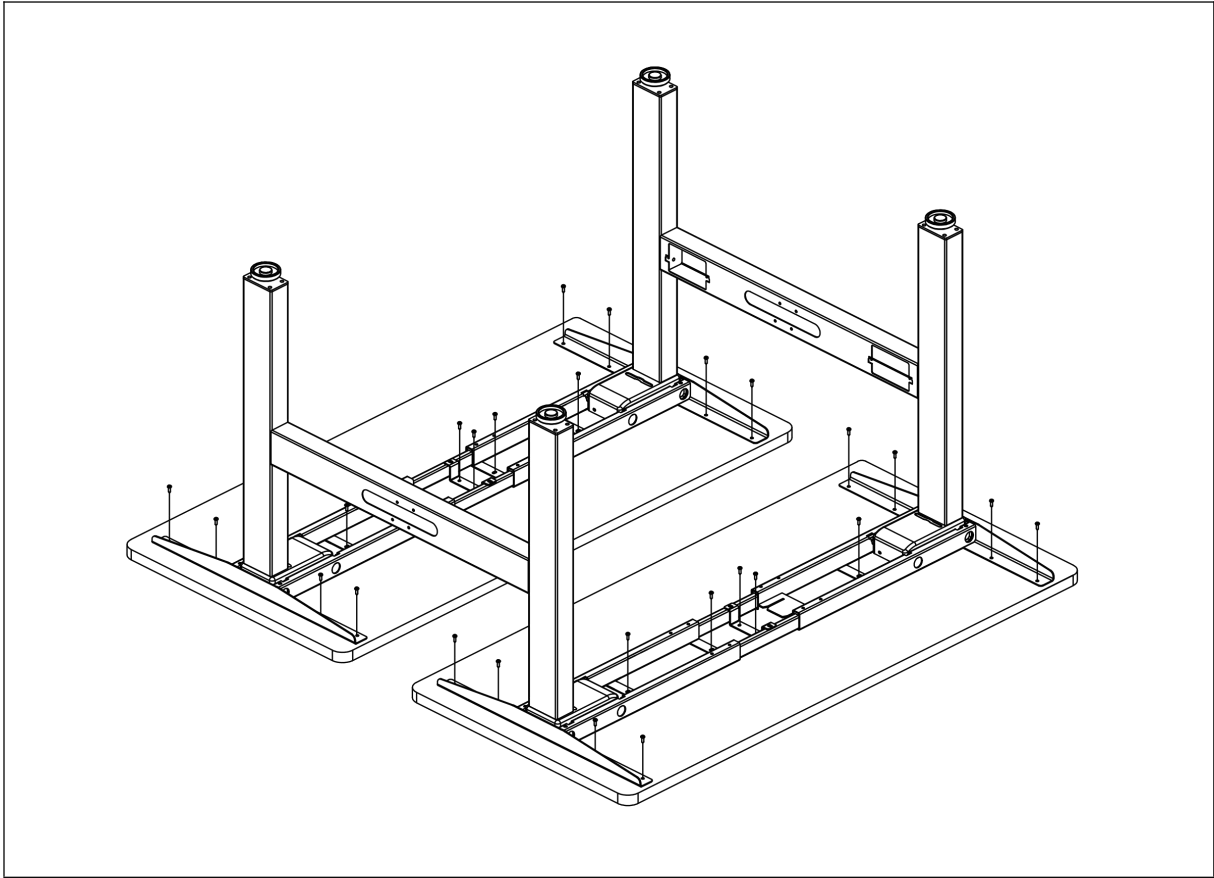
Step 6

Fix the screen brackets with 8 pcs screws M6x10.



Step 7

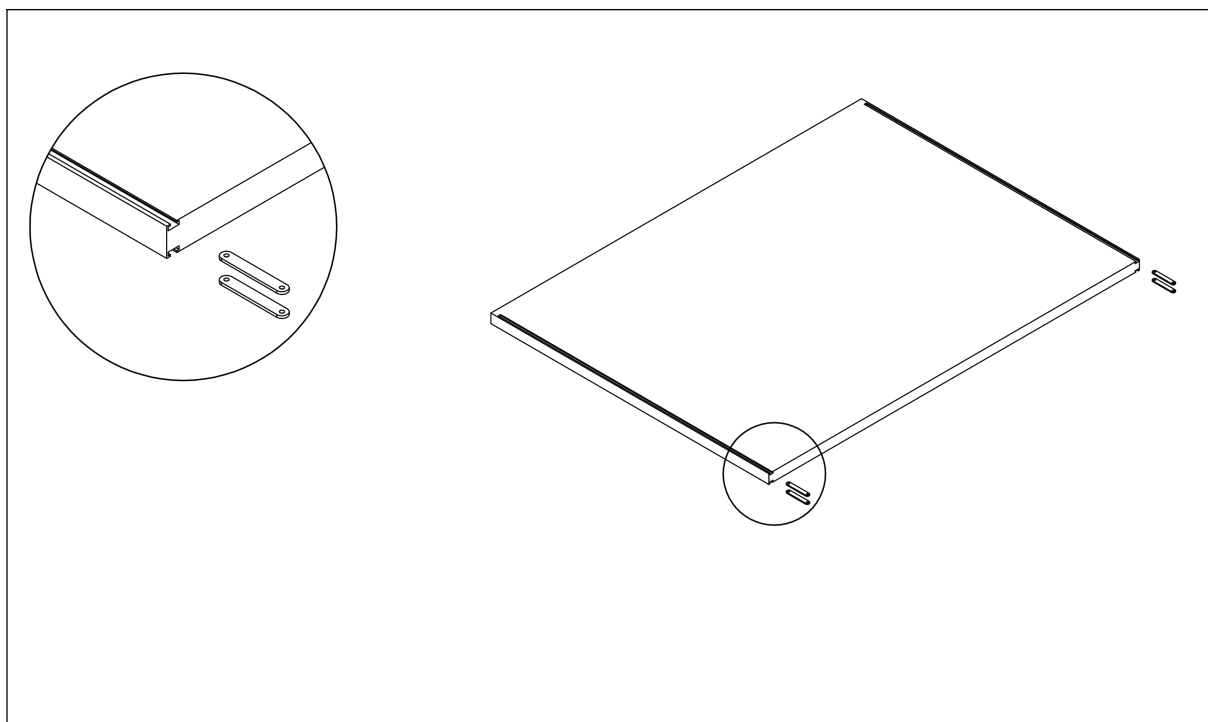
Fix the table top with 26pcs screws ST4x20 ,Install the centre bracket with 4 pcs screws M6x10



Screen panel installation

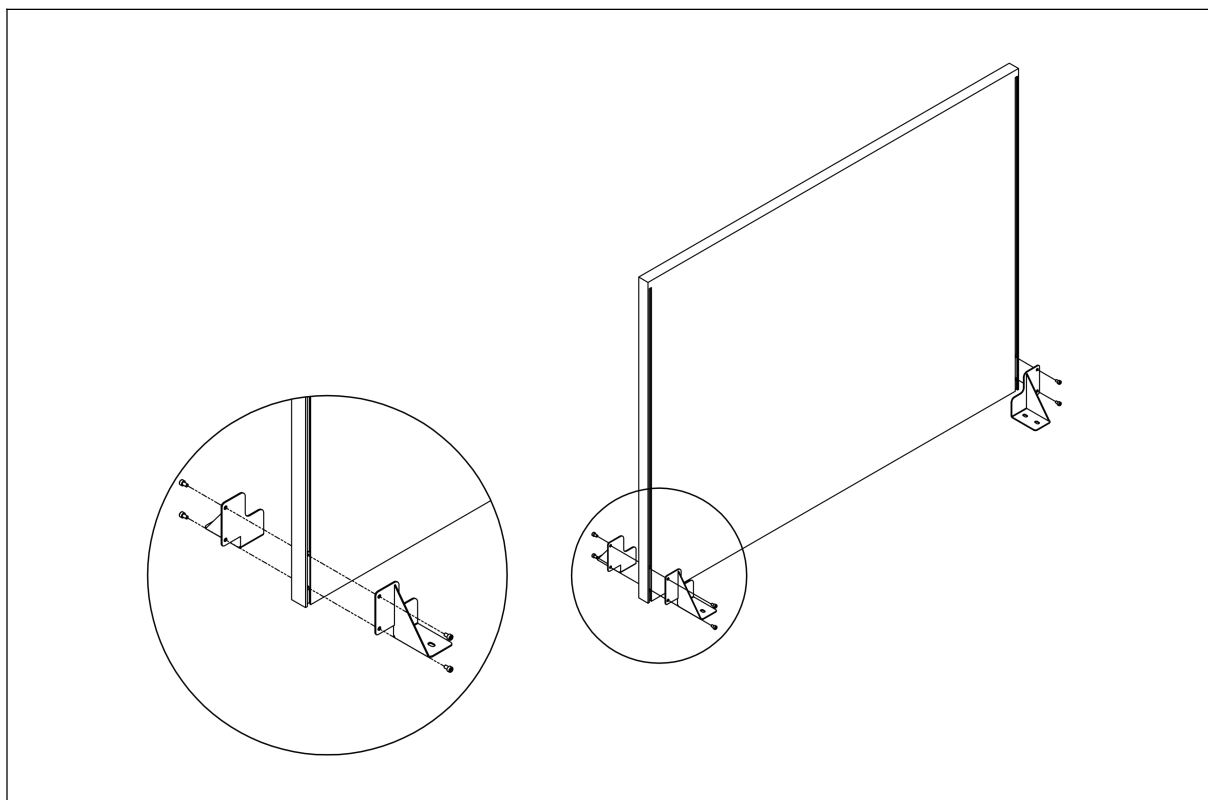
Step 1

- Insert the tapped plates to the screen panel



Step 2

- Install the brackets to the panel with 8 pcs M5x6 screws.



Step 3

- Fix the panel to the desk frame with 8 pcs M6x10 screws.

