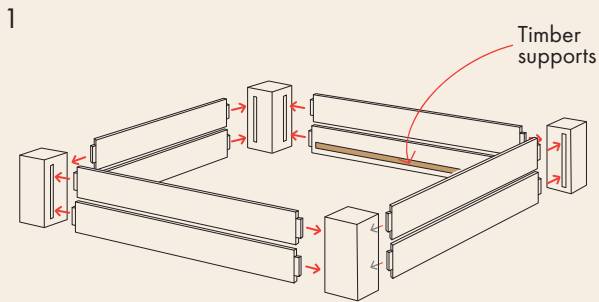
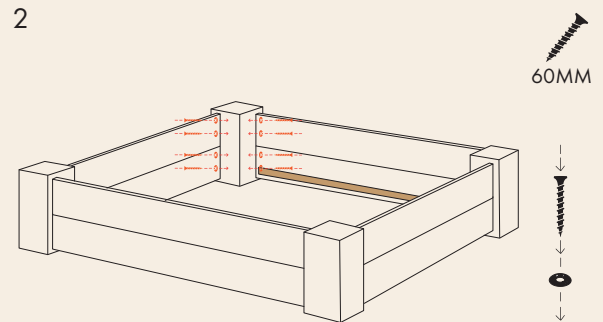


FITTING INSTRUCTIONS

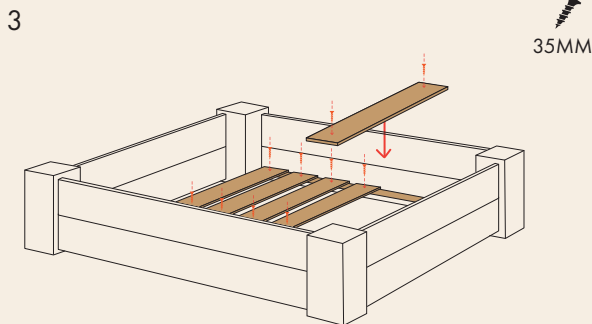
WHAT YOU WILL NEED...



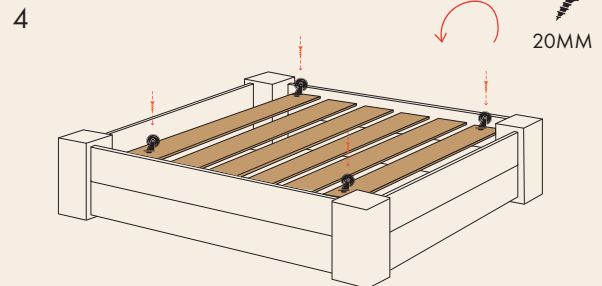
Slot the rails into the legs making sure the timber supports are positioned opposite each other at the base.



Ensure the rails and legs are tightly pushed together and secure with the 60mm screws and screw cups into each hole.



Evenly space the drawer base timber on the supports and secure with 35mm screws.



Flip the drawer upside down and secure the casters to the underside of the drawer base using 20mm screws.

Please note: Do not fix the casters to the bottom of the legs as this will raise the drawer too much.

5

FLIP BACK OVER AND
SLIDE UNDER YOUR BED!