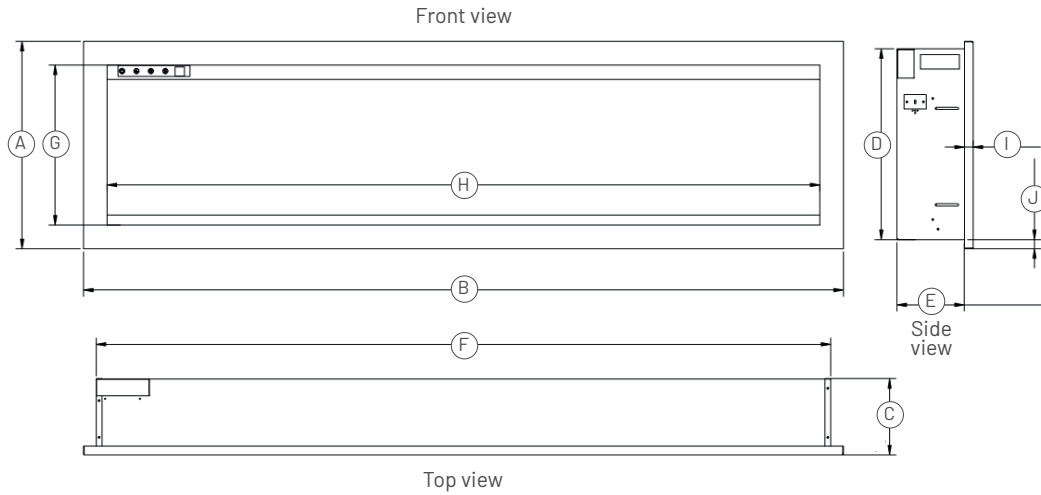




MODELS: **IMPRESSIONIST® 34, 42, 50, 60, 74, 88, 100**



ENERGY			ENERGY CONSUMPTION		FLAME MOTOR		HEATING AREA	BLOWER INCLUDED
Volts	Amps	Watts	High	Off	Lamps	Rotor Motor	Area sq in	CFM
120	12.5	1500 max	Max 1500 w / Min 750 w	22 watts	LED	1 to 5 watts	500	100

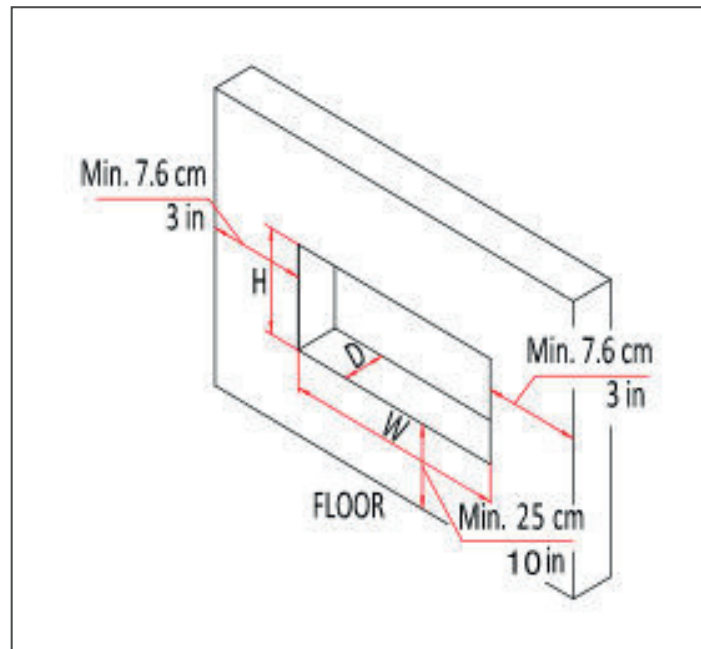
	GLASS		DIMENSIONS						
	Dimensions	Area sq in	Height (A / D)	Depth (C / E)	Width (B / F)	G	H	I	J
<b>34</b>	13.25" X 30.625"	402	16.875" / 15.625"	6.25" / 5.5"	34.5" / 32.375"	13.125"	30.625"	0.75"	0.75"
<b>42</b>	13.25" X 40.375"	561	16.875" / 15.625"	6.25" / 5.5"	44.25" / 42.25"	13.125"	40.375"	0.75"	0.75"
<b>50</b>	13.25" X 48.5"	636	16.875" / 15.625"	6.25" / 5.5"	52.25" / 50.25"	13.125"	48.375"	0.75"	0.75"
<b>60</b>	13.25" X 58.375"	766	16.875" / 15.625"	6.25" / 5.5"	62.25" / 60.25"	13.125"	58.375"	0.75"	0.75"
<b>74</b>	13.25" X 72.375"	950	16.875" / 15.625"	6.25" / 5.5"	76.25" / 74.25"	13.125"	72.375"	0.75"	0.75"
<b>88</b>	13.25" X 86.375"	1160	16.875" / 15.625"	6.25" / 5.5"	90.25" / 88.25"	13.125"	86.375"	0.75"	0.75"
<b>100</b>	13.25" X 98.375"	1291	16.875" / 15.625"	6.25" / 5.5"	102.25" / 100.25"	13.125"	98.375"	0.75"	0.75"



MODELS: **IMPRESSIONIST**<sup>®</sup> 34, 42, 50, 60, 74, 88, 100

## Framing and Clearances

Select a location that is not prone to moisture and is located at least 0.91m or 3 feet away from combustible materials such as curtains, drapes, furniture, bedding, paper, etc.



The rough wall opening size of the fireplace:

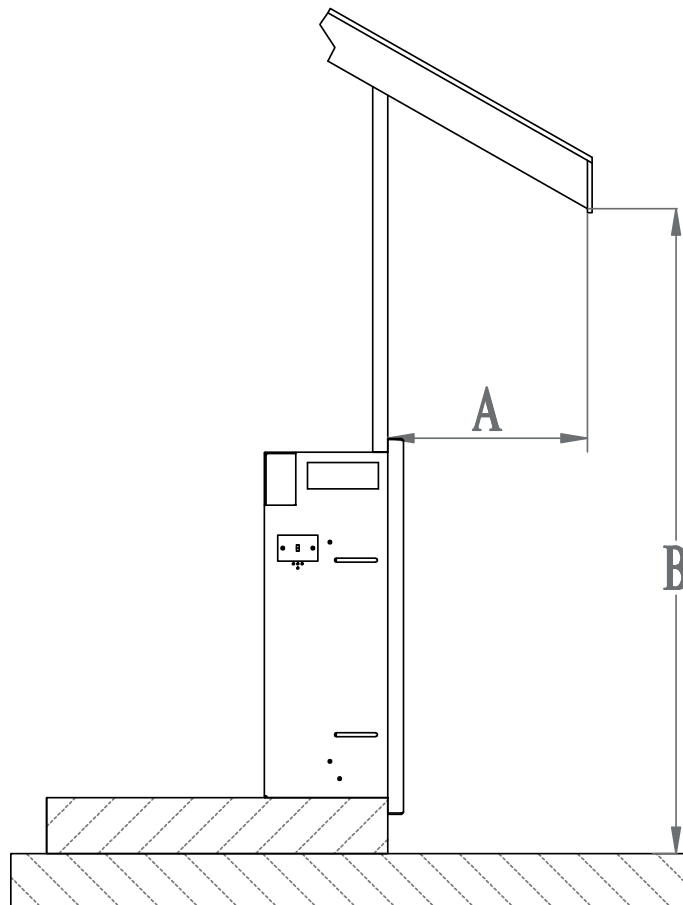
	<b>W (")</b>	<b>D (")</b>	<b>H (")</b>
AMB-IW-34-3	32.875	6	16
AMB-IW-42-3	42.75	6	16
AMB-IW-50-3	50.75	6	16
AMB-IW-60-3	60.75	6	16
AMB-IW-74-3	74.75	6	16
AMB-IW-88-3	88.75	6	16
AMB-IW-100-3	100.75	6	16



MODELS: IMPRESSIONIST® 34, 42, 50, 60, 74, 88, 100

## Outdoor Installations

The Impressionists® electric fireplaces are suitable for installation in outdoor areas protected from direct water impingement. In addition to maintaining the listed mantel and combustibles clearances, a rain protection overhang factor of 1/2 shall be constructed to the front and to each side of the installed appliance. See illustration below. All wiring connections to line power shall be in accordance with local building code requirements. Inquires about local codes and regulations must be done prior to installation.



The overhang (A) must extend at least 1/2 the roof-line height. Height is measured from the base of the fireplace.

For example: if the roof-line (B) is 8' above the base of the fireplace, the overhang (A) must be at least 4'.