

# Bramshaw

ELECTRIC  
FREESTANDING  
STOVE



DISTRIBUTED THROUGHOUT  
NORTH AMERICA BY



BRITISH  
FIRES

STORAGE AREA BASE



WALL-MOUNTED



PEDESTAL BASE  
(SHOWN WITHOUT OPTIONAL PIPE)



## BRAMSHAW ELECTRIC STOVE

The Bramshaw is what many homeowners want—an attractive fire with a small footprint—easy to imagine in a variety of living spaces. The minimalist design will suit a contemporary as well as a traditional setting.

Reminiscent of a wood or gas model, the electric Bramshaw is easy to install and enjoy—just plug it in!

The three-sided stove allows you to appreciate the look of a burning fire from various vantage points in the room.

The simplified Bramshaw remote controls features, such as the flame effect, the glow of the embers and the built-in heater.

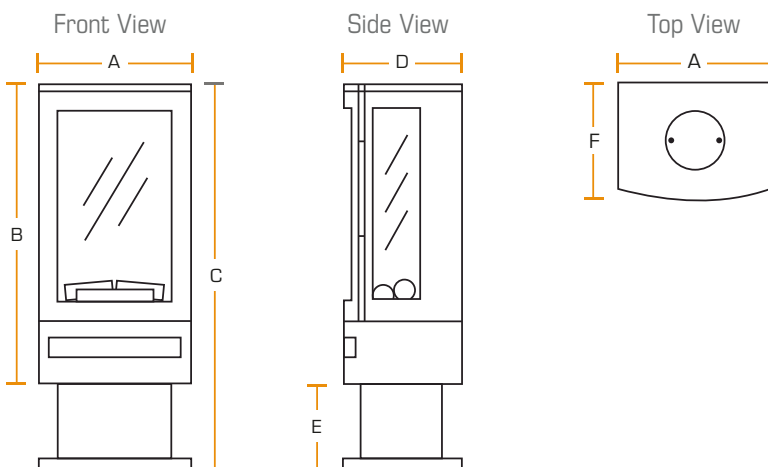
The heater boasts an impressive heat output, easily controlled by your remote.

To find out more, go to [britishfires.ca](http://britishfires.ca)



British Fires offers great fire beds and the Bramshaw's logs exude a genuine feel of freshly chopped wood burning in a fire with glowing embers that rival a wood fire. Finely detailed, the logs are modelled after the New Forest in Hampshire, England.

## BRAMSHAW SPECS + DIMENSIONS



	inches	mm
<b>A</b>	15 <sup>3</sup> / <sub>4</sub>	400
<b>B</b>	31	788
<b>C</b>	39 <sup>7</sup> / <sub>8</sub>	1013
<b>D</b>	12 <sup>1</sup> / <sub>5</sub>	310
<b>E</b>	8 <sup>7</sup> / <sub>8</sub>	225
<b>F</b>	12 <sup>1</sup> / <sub>5</sub>	310



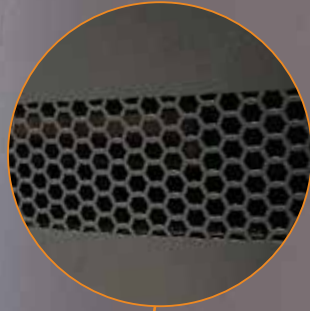
BRAMSHAW  
REMOTE

### Technical specifications

Heat output	1500 W
Supply voltage	120V AC
Rating power	60 Hz
Fuse rating	13 Amp
Lighting	LED

Refer to the British Fires' installation manual for full details. [britishfires.ca](http://britishfires.ca)

**1500 WATT HEATER**  
NOT JUST A PRETTY GRILL,  
THIS IS A HEATER VENT,  
PROVIDING 1.5 KW OF HEAT.



  
**BRITISH  
FIRES**

[britishfires.ca](http://britishfires.ca)