

EN

NEW FOREST ELECTRIC 48" & 63" FIREPLACES

INSTALLATION & USER INSTRUCTIONS



BRITISH
FIRES

WELCOME TO BRITISH FIRES



**BRITISH
FIRES**

// TABLE OF CONTENTS

Section	Contents	Page
1.0	Important Notes	01-02
2.0	Appliance Plug	03
3.0	Appliance Data	03-04
4.0	Component Checklist	05
5.0	Site Requirements	05
6.0	Clearances To Combustibles	06
7.0	Unpacking The Appliance	06
8.0	Preparing the Appliance – Altering Corner Bracket Position	07
8.1	Preparing the Appliance – Blanking Plates, Trims and Glass	08
8.2	Preparing the Appliance – Attaching L-Shaped Brackets	09
8.3	Hard Wiring the Appliance	10-13
9.0	Installation Introduction	13-14
9.1	Installation Options	15
9.2	Installation – Studwall Fixing	17-19
9.3	Installation – Floating Suite	20-22
10.0	Forest View Fuel Bed	23-24
10.0	Slate View Fuel Bed	25-26
10.0	Diamond Light Fuel Bed	27-28
11.0	Pairing the Remote Control	29
12.0	Operating the Appliance	30-33
13.0	Safety Cut-Out System	34
14.0	Cleaning and Maintenance	34
15.0	Troubleshooting Guide	35
16.0	Spare Parts List	36-38
17.0	Two Year Limited Warranty	40
18.0	New Forest Dimensions	41-42

// 1.0 IMPORTANT NOTES

Important – these instructions should be read carefully and retained for future reference.

When using this electrical appliance, basic precautions should be followed to reduce the risk of fire, electric shock and injury to person, including the following

1) Read all instructions before using this heater.

2) This heater is hot when in use. To avoid burns, do not let bare skin touch hot surface. If provided, use handles when moving this heater. Keep combustible materials, such as furniture, paper, and clothes at least 3ft (0.9m) away from the front heater

3) Extreme caution is necessary when any heater is used by or near children or invalids and whenever the heater is left operating and unattended.

4) Do not operate any heater after it malfunctions. Disconnect power at service panel and have heater inspected by a reputable electrician before reusing.

5) Do not use outdoors.

6) To disconnect heater, turn controls to off, and turn off power to heater circuit at main disconnect panel (or operate internal disconnect switch if provided).

7) Do not insert or allow foreign objects to enter any ventilation or exhaust opening as this may cause an electric shock or fire, or damage the heater.

8) To prevent a possible fire, do not block air intakes or exhaust

in any manner. Do not use on soft surfaces, like a bed, where openings may become blocked.

9) A heater has hot and arcing or sparking parts inside. Do not use it in areas where gasoline, paint, or flammable liquids are used or stored.

10) Use this heater only as described in this manual. Any other use not recommended by the manufacturer may cause fire, electric shock, or injury to persons.

11) Heater includes an audible or visual alarm to warn that parts of the heater are getting excessively hot. If the alarm sounds (or illuminates), immediately turn the heater off and inspect for any objects on or adjacent to the heater that may have blocked the airflow or otherwise caused high temperatures to have occurred.

DO NOT OPERATE THE HEATER WITH THE ALARM SOUNDING OR ILLUMINATING.

12) SAVE THESE INSTRUCTIONS

This heater must be used on an AC supply only and the voltage marked on the heater's rating label must correspond to the

supply voltage.

DO NOT switch the appliance on until it is properly installed as described in this manual.

This appliance can be used by children aged from 8 years and above and persons with reduced physical, sensory or mental capabilities or lack of experience and knowledge if they have been given supervision or instruction concerning use of the appliance in a safe way and understand the hazards involved. Children shall not play with the appliance. Cleaning and user maintenance shall not be made by children without supervision.

Children of less than 3 years should be kept away unless continuously supervised. Children aged from 3 years and less than 8 years shall only switch on/off the appliance provided that it has been placed or installed in its intended normal operating position and they have been given supervision or instruction concerning use of the appliance in a safe way and understand the hazards involved.


Children aged from 3 years and less than 8 years shall not plug in, regulate and clean the appliance

or perform user maintenance

CAUTION: Some parts of this appliance can become very hot and cause burns. Particular attention has to be given where children and vulnerable people are present.

Check that all parts included are intact and not damaged. If the supply cord is damaged, it must be replaced by the manufacturer, its service agent or similarly qualified persons in order to avoid a hazard. Never use the appliance if the cord or any part of the appliance shows signs of damage. The heater must not be located immediately below a socket-outlet.

DO NOT use this heater in the immediate surroundings of a bath, a shower or a swimming pool.

 **WARNING:** In order to avoid overheating, do not cover the fan of the heater.

DO NOT use this heater with a programmer, timer, separate remote-control system or any other device that switches the heater on automatically, since a fire risk exists if the heater is covered or positioned incorrectly.

CAUTION: In order to avoid a hazard due to inadvertent

resetting of the thermal cut-out, this appliance must not be supplied through an external switching device, such as a timer, or connected to a circuit that is regularly switched on and off by the utility.

WARNING: This heater is not equipped with a device to control the room temperature. Do not use this heater in small rooms when they are occupied by persons not capable of leaving the room on their own, unless constant supervision is provided.

Keep furniture, pillows, curtains and other fabric materials away from appliance.

DO NOT leave the appliance unattended during use.

DO NOT run the mains cable under carpets, rugs etc.

DO NOT cover or obstruct the heater in any way. Overheating will result if it is accidentally covered. Never immerse the appliance in water or any other liquids.

DO NOT use the appliance outdoors.

Before cleaning the appliance, ensure it is unplugged from the power and that it is completely cool. DO NOT clean the appliance

with abrasive chemicals.

Never use accessories that are not recommended or supplied by the manufacturer. It could cause danger to the user or damage to the appliance.

DO NOT insert or allow foreign objects to enter the inlet or outlet vents as this may result in electric shock, fire or damage to the appliance.

DO NOT install the fire using an extension cord. Unplug from the mains supply if the appliance is not to be used for long periods.

DO NOT use this appliance in an open flue.

This appliance is only suitable for well-insulated spaces or occasional use.

CAUTION: The user is cautioned that changes or modifications not expressly approved by the party responsible for compliance could void the user's authority to operate the equipment. This device complies with Part 15 of the FCC Rules. Operation is subject to the following two conditions: (1) this device may not cause harmful interference, and (2) this device must accept any interference received, including interference that may cause

undesired operation.

NOTE: This equipment has been tested and found to comply with the limits for a Class B digital device, pursuant to Part 15 of the FCC Rules.

These limits are designed to provide reasonable protection against harmful interference in a residential installation. This equipment generates, uses and can radiate radio frequency energy and, if not installed and used in accordance with the instructions, may cause harmful interference to radio communications. However, there is no guarantee that interference will not occur in a particular installation. If this equipment does cause harmful interference to radio or television reception, which can be determined by turning the equipment off and on, the user is encouraged to correct the interference by one or more of the following measures:

- Reorient or relocate the receiving antenna.
- Increase the separation between the equipment and

receiver.

- Connect the equipment into an outlet on a circuit different from that to which the receiver is connected.
- Consult the dealer or an experienced radio/TV technician for help.

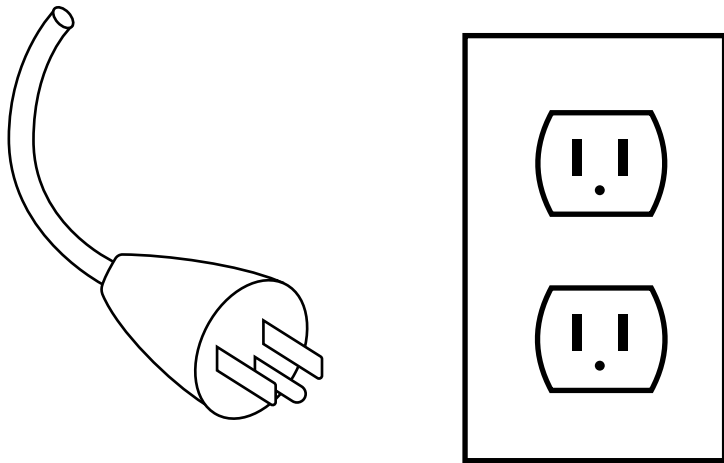
FCC RADIATION EXPOSURE STATEMENT:

This equipment complies with FCC radiation exposure limits set forth for an uncontrolled environment.

This equipment should be installed and operated with a minimum distance of eight inches between the radiator and your body. This transmitter must not be co-located or operating in conjunction with any other antenna or transmitter.

// 2.0 APPLIANCE PLUG

This heater is for use on 120 volts. The cord is a 3-pin plug as shown below and is six feet long (1.8m).



// 3.0 APPLIANCE DATA

New Forest 48" Electric Fire

Weight	65 kg; 138 lbs
Dimensions	IMPERIAL: 22¼ x 47¾ x 12 ½ in METRIC: 565 x 1200 x 311 mm
Supply Voltage & Rating Power	120V AC, 60Hz
Heating Elements	13 Amp
Lighting	LED
Approvals	CSA Canada & USA

New Forest 63" Electric Fire

Weight	85 kg; 187 lbs
Dimensions	IMPERIAL: 22¼ x 63 x 12 ½ in METRIC: 565 x 1600 x 311 mm
Supply Voltage & Rating Power	120V AC, 60Hz
Heating Elements	13 Amp
Lighting	LED
Approvals	CSA Canada & USA

// WARNING:

Before enclosing the appliance, test the power in situation in order to ensure the power to the appliance working properly.

Item	Symbol	Value	Unit
Heat Output			
Nominal heat output	P _{nom}	1.5	KW
Minimum heat output (indicative)	P _{min}	0.75	KW
Maximum continuous heat output	P _{max, c}	1.5	KW

Auxiliary electricity consumption

At nominal heat output	e _{lmax}	0.0	KW
At minimum heat output	e _{lmin}	0.0	KW
In standby mode	e _{lSB}	0.0	KW

This fire is fitted with Light Emitting Diode's (LEDs) in place of conventional bulbs. LEDs generate the same light levels as conventional bulbs, but use a fraction of the energy consumed.

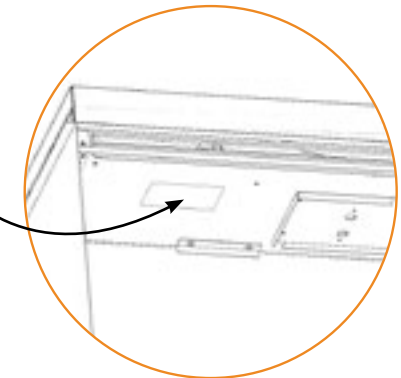
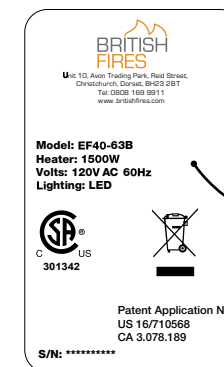
Item	Unit
Types of heat input, for electric storage local space heaters only	
Manual heat charge control with integrated thermostat	N/A
Manual heat charge control with room and/or outdoor temperature feedback	N/A
Electronic heat charge control with room and/or outdoor temperature feedback	N/A
Fan assisted heat output	N/A

Type of heat output/room temperature control

Single stage heat output and no room temperature control	No
Two or more manual stages no temperature control	No
With mechanical thermostat room temperature control	Yes
With electronic room temperature control	No
Electronic room temperature control plus day timer	Yes
Electronic room temperature control plus week timer	Yes

Item	Unit
Other control options	
Room temperature control with presence detection	No
Room temperature control with open window detection	Yes
With distance control option	No
With adaptive start control	No
With working time limitation	No
With black bulb sensor	No

The data label, including the model and serial number, can be found inside the fire underneath the heat assembly housing.



// 4.0 COMPONENT CHECKLIST

Quantity	Description
1	Heater unit
1	Wall bracket
1	Remote control handset
1	Box of logs (extra small logs for 63" / 1600)
1	Bag of slate
1	Bag of bark
1	Bag husk
1	Bag of large crystals
2	Bag of small crystals (+1 bag for 63" / 1600)
2	AAA batteries
2	L-shaped brackets
2	Blanking plates (<i>Located under styrofoam base</i>)
4	Small end trims (<i>Located under styrofoam base</i>)
2	Large end trims (<i>Located under styrofoam base</i>)
24	$\frac{5}{32} \times \frac{5}{16}$ in. (4 x 8 mm) Firebox screws
2	$\frac{5}{32} \times \frac{15}{32}$ in. (4 x 12 mm) Firebox screws
12	Wall plugs for 48" (1200)
14	Wall plugs for 63" (1600)
12	Fixing screws for 48" (1200)
14	Fixing screws for 63" (1600)
2	Suite fixing brackets
1	Hard wiring fixing kit (<i>3x cables, 3x twist on connectors, 1x corner bracket, 1x cable gland, 1x cable clamp, 2x firebox screws and 5x cable ties</i>)

// IMPORTANT

Please read completely through the instructions and verify that all listed parts are present before assembly.

// 5.0 SITE REQUIREMENTS

It should be noted that the appliance creates warm convected air currents. These currents move heat from the room surroundings to, and up the wall surfaces adjacent to the heater.

If the appliance is to be secure on a dry wall or a timber framed construction then the integrity and ability of the wall to secure the appliance must be confirmed. It is important in these circumstances that any vapour barrier and/or structural members of the house frame are not damaged.

If you are unsure of the ability of the wall to secure the appliance and/or which type of wall fixing to use, you should take professional advice and obtain the correct fixings. Alternatively, find a more suitable wall location.

- DO NOT run the supply cable under carpets.
- DO NOT site in a position where curtains or drapes could cover the appliance, or other soft materials could cover e.g. below a coat rack.
- DO NOT site behind an opening door where mechanical impact/damage could occur.
- DO NOT site where the supply cable would become a trip hazard.
- DO NOT sit, stand or forcefully pull on the appliance.
- DO NOT obstruct, cover or force items into the openings.
- DO NOT use the heater to dry clothes.
- DO NOT site/use in an outdoor location(s).

It is important that the following clearances are maintained from the appliance to combustible materials. These clearances are dependent on the securing location as defined on the following pages.

// 6.0 CLEARANCES TO COMBUSTIBLES

The minimum distance to the front of the appliance is three feet (900 mm).

There are no clearances for above or to the side of the appliance, apart from being clear of curtains and drapes for a flush wall installation.

If the stud wall immediately above the heater of the appliance protrudes in front of the appliance rather than finishing flush, then the over hanging section of the installation must be made from a non-combustible material, such as calcium silicate.

*See page 16 for more details

// 7.0 UNPACKING THE APPLIANCE

Before starting the installation of this fireplace, please read the following:

- 1) The installation should be carried out by two adults to avoid injury or damage. If for any reason it is considered too heavy, please obtain assistance.
- 2) When lifting the electric appliance, always keep your back straight. Bend your legs and not your back. Avoid twisting at the waist. It is better to reposition your feet.
- 3) Avoid upper body and top heavy bending. Always bend from the knees rather than the waist. Do not lean forward or sideways while handling the appliance.
- 4) Always grip the appliance with the palm of the hand – do not use the tips of fingers for support.
- 5) Always keep the appliance as close to the body as possible. This will minimize the cantilever action.
- 6) Use gloves to provide additional grip.
- 7) Unpack the package and lift the appliance gently out of the box. Put it on a flat surface with the front panel facing forward.

// CAUTION

This appliance is heavy. Always seek assistance whilst unpacking and/or during installation. Please read all the instructions before continuing to unpack or install appliance.

// 8.0 PREPARING THE APPLIANCE

ALTERING THE CORNER BRACKET POSITION

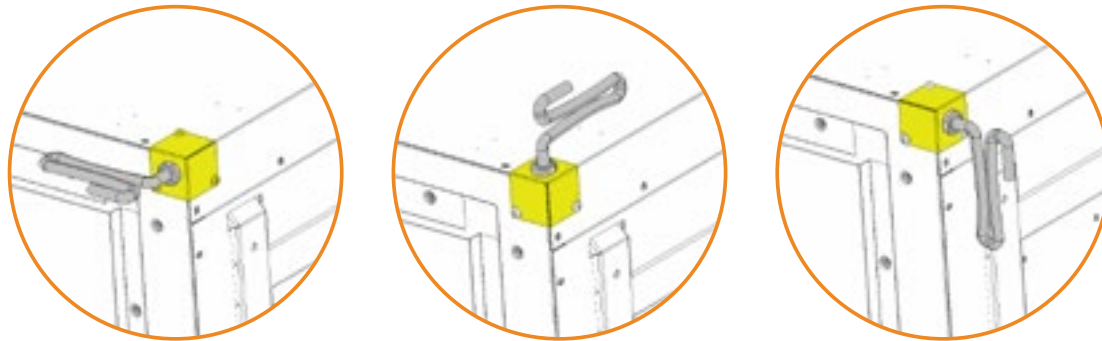
Putting the corner gland bracket together

Secure the corner gland bracket as pictured below



Different corner bracket orientations

Select which orientation the power cable would suit the installation best.

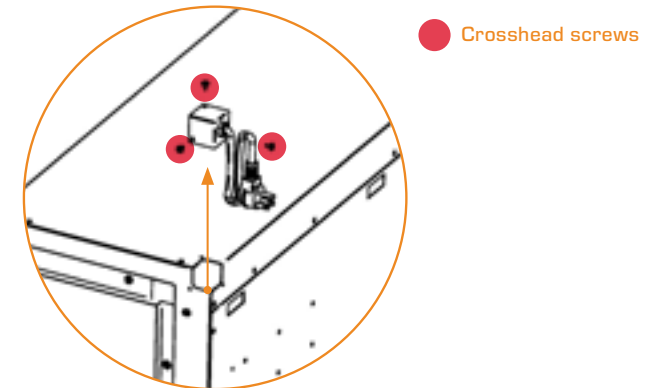


// ATTENTION:

Corner brackets can be found in the styrofoam cap. Blanking plates and trims are located attached below to the base styrofoam in the packaging carton.

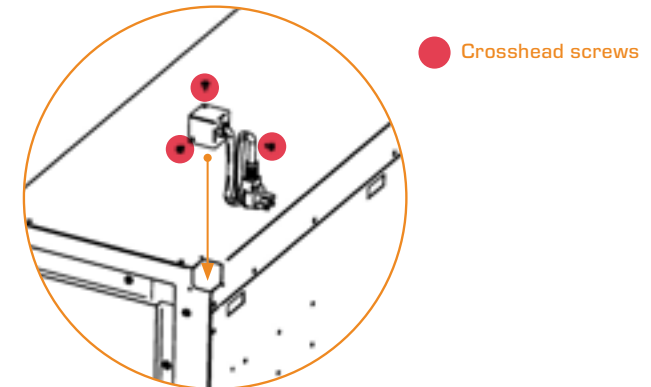
Removing the corner bracket

Remove the three (3x) screws holding the corner bracket into position on the rear right hand side of the appliance with a cross headed screw driver.



Reinstalling the corner bracket

Once the preferred position has been selected, screw the three (3x) screws back into position, securing the corner bracket into place.



// 8.1 PREPARING THE APPLIANCE

ADDING BLANKING PLATES AND TRIMS; REMOVING FRONT GLASS

Front-Facing (One-sided)

A blanking plate will need to be installed at each end of the appliance, offer the blanking plate up to the side of the appliance and ensure that all of the holes in the blanking plate line up with the holes on the side of the firebox. Once in the correct position, screw the 6x firebox screws with a cross headed screw driver into position, use the same process for both sides.

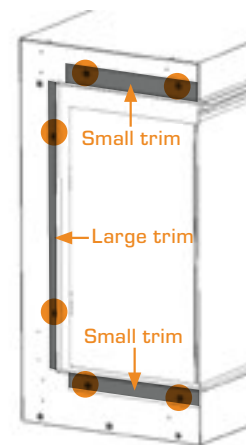
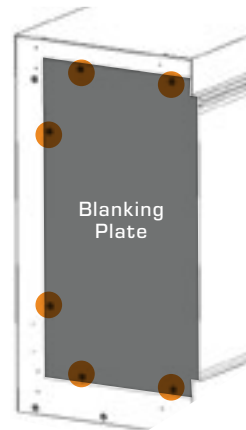
Cornered (Two-sided)

Install only one of the blanking plates on the end that will be covered. Follow the front-facing instructions, above, for the one blanking plate. For the exposed side the trims will need to be used. Place both small trims into position, lining the screw holes up, then when in the correct position screw into place with the screws provided using a cross headed screwdriver. Next, secure in place the large trim vertically on to the side of the appliance in between the two small trims. Line the screw holes up and secure the provided screws into place with a cross headed screwdriver.

Fully-inset and Suite Installations (Three-Sided)

Place both small trims into position, lining the screw holes up then screw into place with the screws provided using a cross headed screwdriver. Once the small trims are installed the large trim will be vertically placed in between the two small trims, as pictured above. Use the same steps for both sides.

● Firebox screws



The 24x 5/32 X 5/16 in. (4x8 mm) firebox screws can be found packaged in the top styrofoam casing and the blanking plates and trims can found underneath the base of the Styrofoam.

We strongly recommend that two people are used to remove the glass, both using protective gloves.

To remove the front glass from the appliance, use a cross headed screwdriver to remove the screws from either end of the top bracket of the appliance, holding the glass in place.

Ensure the glass is supported at all times.

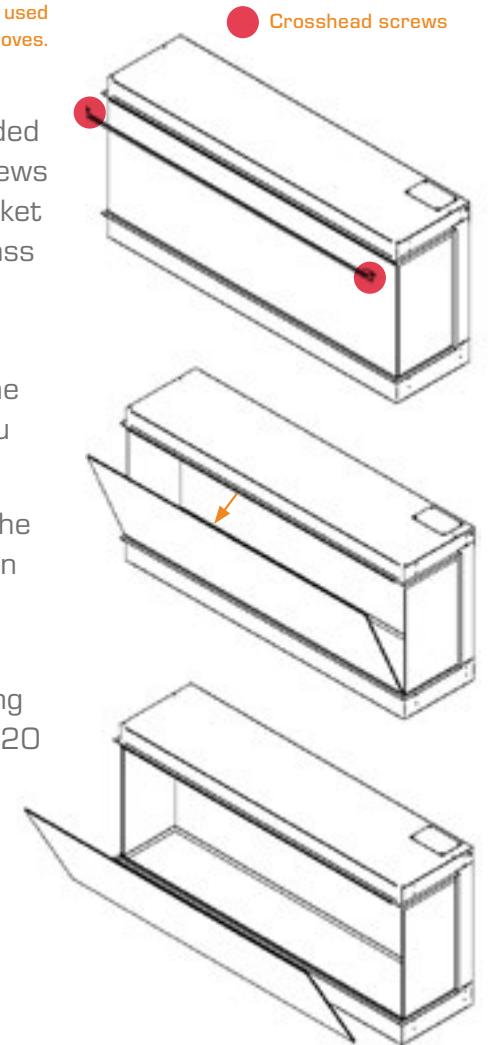
Next, gently lever the top of the glass towards you, ensuring you have full support of the glass.

Lift the glass up and out from the appliance and place the glass on a soft, flat surface on the floor.

Insert your preferred fuel bed options as shown in the following pages in section 10.0, pgs 23-20

To re-install the glass, see the instructions in reverse order.

● Crosshead screws



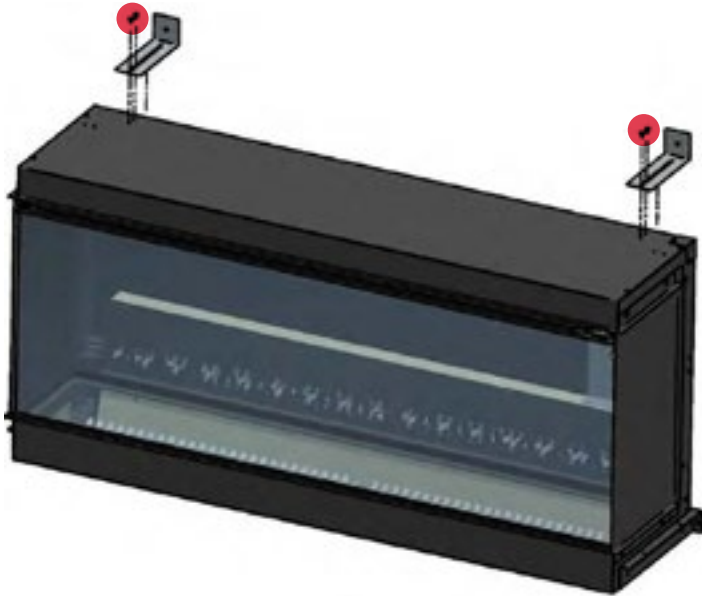
// 8.2 PREPARING THE APPLIANCE

ATTACHING L-SHAPED BRACKETS TO THE APPLIANCE

Using a cross headed screw driver screw the wall brackets onto the top of the appliance with the four (4x) $\frac{5}{32} \times \frac{5}{16}$ in. (4x8 mm) firebox screws provided to suit your preferred installation. (Rear fixing or side fixing.)

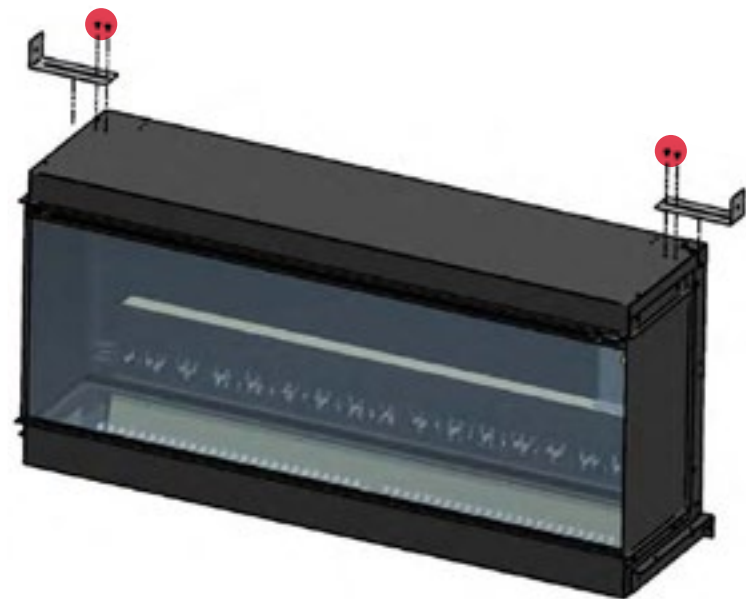
Rear Fixing

● Crosshead screws



Side Fixing

● Crosshead screws



PLEASE ENSURE THE PRODUCT IS TURNED OFF BEFORE HARD-WIRING

// 8.3 HARD WIRING THE APPLIANCE

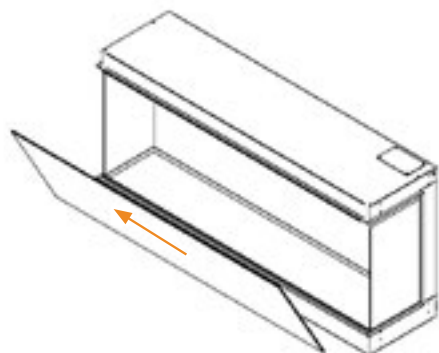
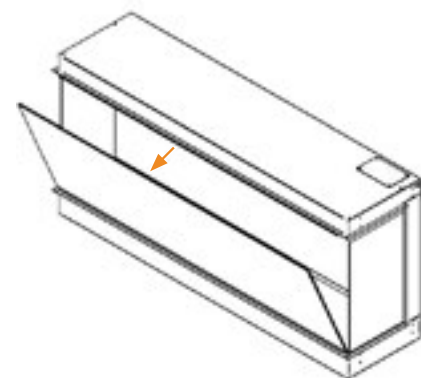
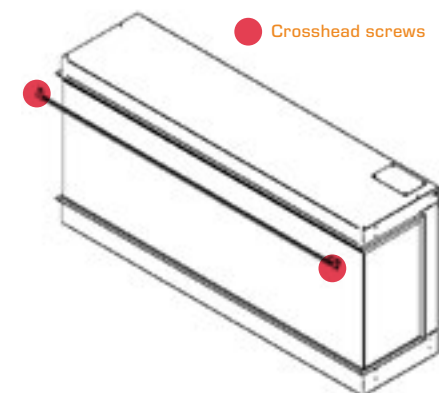
We strongly recommend that two people are used to remove the glass, both using protective gloves. Hard-wiring the appliance should be undertaken by a qualified electrician; otherwise, the warranty may become void.

- 1) To remove the front glass from the appliance, use a cross headed screwdriver to remove the screws from either end of the top bracket of the appliance, holding the glass in place.

Ensure the glass is supported at all times.

- 2) Next, gently pull the top of the glass towards you, ensuring you have full support of the glass.

- 3) Lift the glass up and out from the appliance and place the glass on a soft, flat surface on the floor.



- 4) Remove the eight (8x) screws (48") or 14x screws (63") that hold the fuel bed into position, then carefully remove the fuel bed tray from the appliance and place safely to one side. A flat head screw driver can carefully be used to lever the fuel bed out if extra help is required.

We strongly recommend that protective gloves are worn when handling glass.

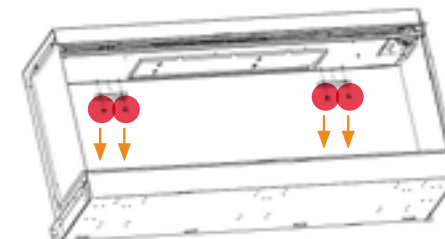
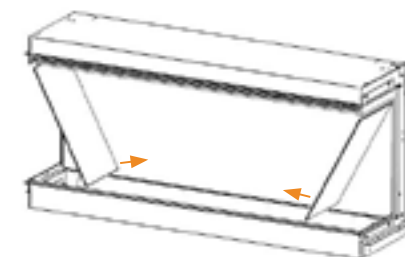
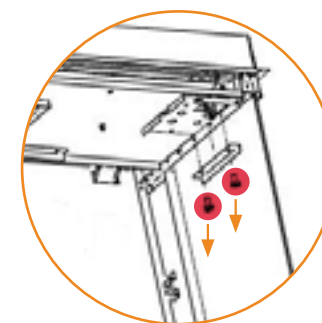
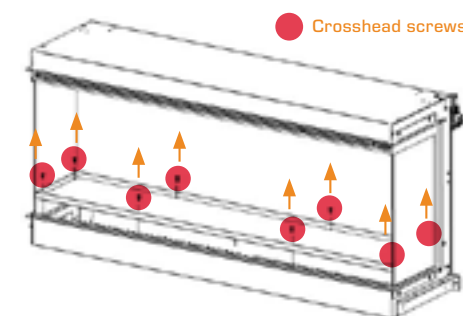
- 5) Unscrew the top clamps from each side of the side glass.

- 6) Carefully remove the side glass panels from each side, lifting from the bottom, inwards 3 inches (76 mm) then down to release then place both pieces of glass safely to one side.

We strongly recommend that protective gloves are worn when handling glass.

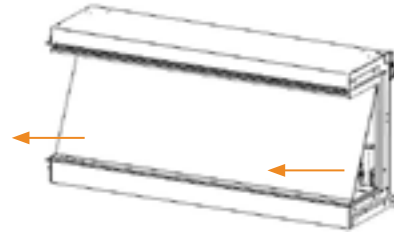
- 7) Unscrew the clamps on each side at the rear top of the appliance to release the rear glass.

Ensure the glass is supported at all times.



// 8.3 HARD WIRING THE APPLIANCE

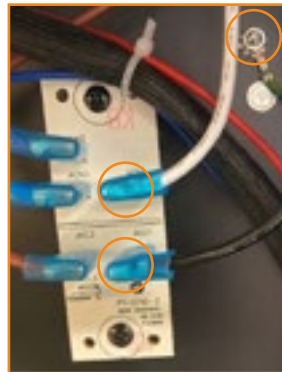
- 8)** Carefully remove the rear glass from the rear of the appliance by gently pulling the glass towards you at the bottom 3 in. (76 mm) then down and out to release and then place the glass safely to one side.



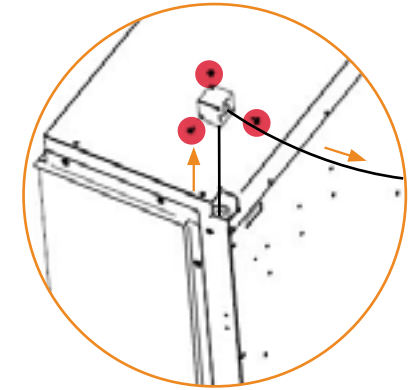
- 9)** The wiring connections are readily accessible.



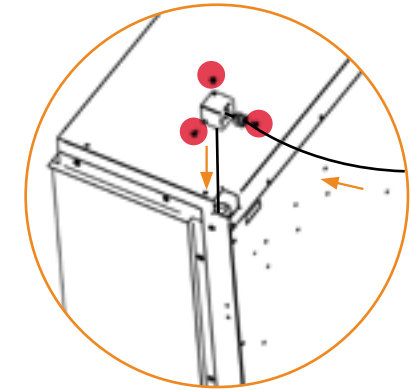
- 10)** To remove the two (2x) spade connectors from the PCB carefully push the tab down on the connector to release, this can be done with a pair of pliers or a flathead screw driver. Use a $\frac{9}{32}$ in. (7 mm) nut driver/spanner to remove the Earth cable from the Earth stud on the rear of the appliance, ensure not to lose the $\frac{5}{32}$ in. (4 mm) nut and the serrated washers.



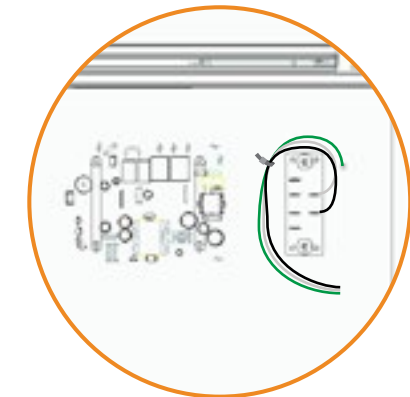
- 11)** Remove the three (3x) screws from the corner bracket back on to the rear right hand side of the appliance. Pull the inlet power cable through the top rear of the appliance. Dispose of power cable responsibly.



- 12)** Insert the hard wire from the property through the spare cable gland and corner bracket from the hard wiring kit in the packaging, insert the cable to the correct length inside the appliance then tighten the cable gland and insert the three (3x) screws securing the corner bracket into position

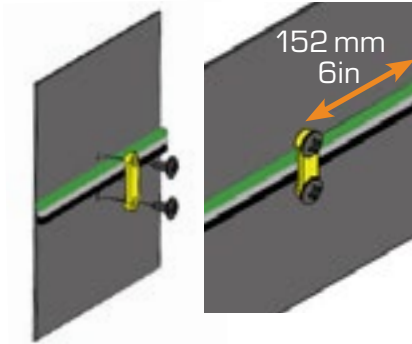


- 13)** Insert the hardwire cable set supplied onto the PCB board. With the black wire on the Live terminal, the white wire on the neutral terminal and the green wire on the Earth stud on the rear of the firebox with the serrated washers in between. Check all connections are good and confirm they are all on correctly.



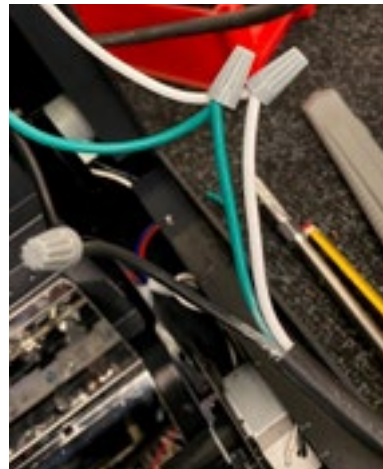
// 8.3 HARD WIRING THE APPLIANCE

- 14) With the screws and the cable clamp supplied in the Hard Wiring Fixing Kit, install the cable clamp into position. Feed the three (3x) cables installed previously through the cable clamp. Measure 6 inches (152 mm) from the cable clamp to the end of the wires. Once the length of the cables is confirmed to be correct tighten the clamp, fixing the three (3x) wires into position.

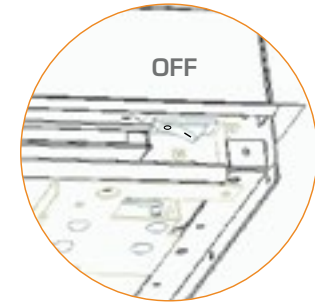
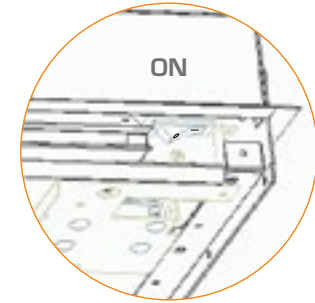


ENSURE YOU DO NOT PINCH THE WIRES WHEN CLAMPING DOWN

- 15) Prepare the hardwire ends so they are able to be connected to the hard wiring kit on the appliance. Connect the 2x yellow and green Earth wires together using a twist on wire connection. Then connect the 2x Brown/Black Live wires together with another twist on wire connector, and then connect the 2x Blue/White neutral wires together with another twist on wire connector.

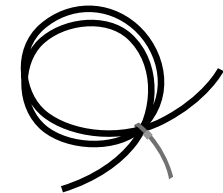


- 16) Check that the appliance is safe then check the electrical connection to the appliance. To check the appliance, turn the power on to the appliance then turn the standby button on the top right of the appliance ON. Once the appliance is turned on there will be an audible beep to confirm that power is going to the appliance. If there is found not to be any power to the appliance, this must be rectified before continuing. Once power has been confirmed to the appliance turn the power to the appliance back off again.

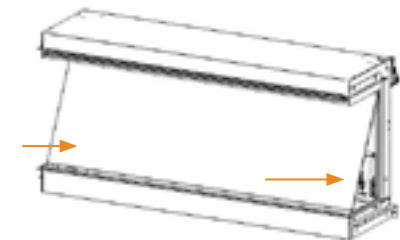


Cable tie any loose wires so they are not able to come into contact with any moving parts.

We strongly recommend that protective gloves are worn



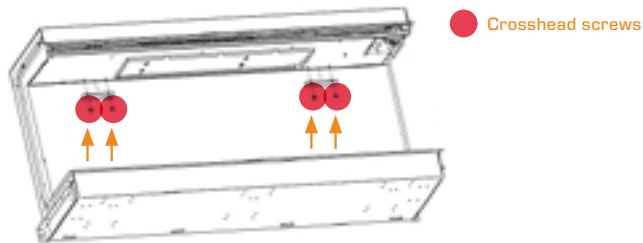
- 17) Carefully insert the rear glass into the back of the appliance. In at the top first, then it at the bottom.



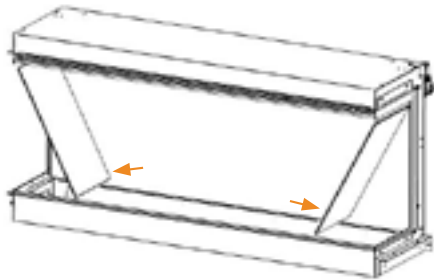
// 8.3 HARD WIRING THE APPLIANCE

- 18)** Screw the clamps back into each side at the rear of the appliance, clamping the glass in position..

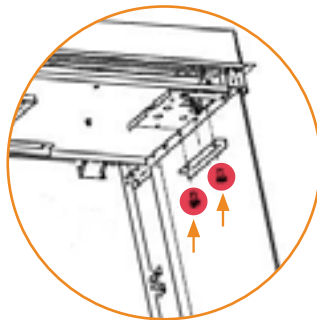
We strongly recommend that protective gloves are worn



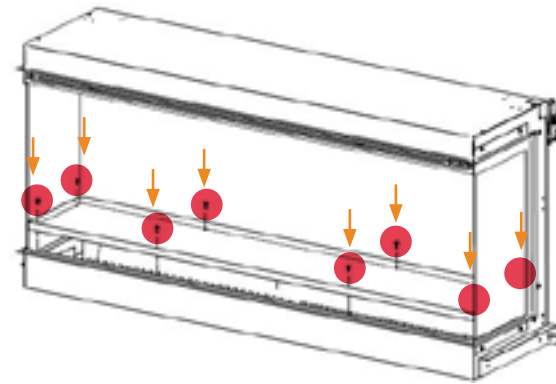
- 19)** Carefully insert the side glass panels back into each side of the appliance, In at the top first then in at the bottom.



- 20)** Screw the top clamps from each side back into position, clamping the side glass in position.

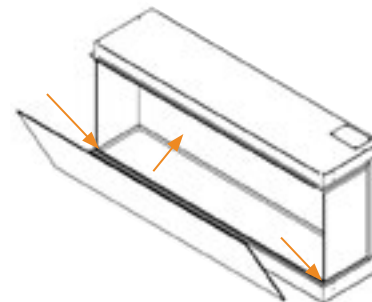


- 21)** Carefully place the fuel bed tray back into position and line the holes in the fuel bed up with the holes in the firebox. Insert the 8x (48") or 14x (63") screws that secure the fuel bed back into position. Insert your preferred fuel bed options as shown in the following pages in section 10.0, pages 23–30.

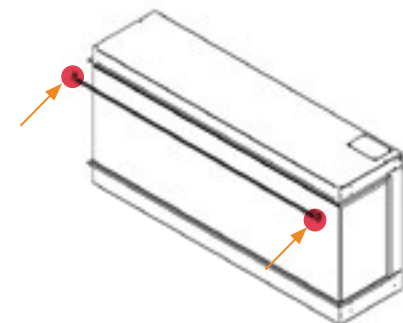


We strongly recommend that protective gloves are worn when handling glass.

- 22)** Carefully lift the front glass into the front slot at the bottom of the appliance, then carefully offer the top of the glass back into position.



- 23)** Use a cross headed screwdriver to screw the screws from either end of the top bracket of the appliance, holding the glass in place.



// 9.0 INSTALLATION

British Fires assumes absolutely no responsibility for injuries and damages that may occur due to improper installation or handling.

Remove any protective film coatings from the finished/decorative surfaces of the appliance, if any. After having selected the final position of the appliance taking into account the integrity of the wall the electric appliance may be secured to the wall.

To ensure customer safety, be sure to design the installation so that the strength of both the wall and any wall fixings used are sufficient. Do not block the ventilation holes of the appliance. The wall onto which the appliance/stud wall is installed must be flat. Install only on a vertical surface. Avoid sloped surfaces. Installation onto anything other than a vertical wall may result in fire, damage or injury.

If the appliance/stud wall is to be mounted on a dry wall or a timber framed construction wall then efforts should be made to fix into two or more wooden studs, or supporting wooden members of the wall using the fixing screws provided. If this is not achievable then the wall should be strengthened using appropriate building materials.

Ensure that the correct wall plugs are used for the type of wall that the stud work is being connected to.

Ensure the plug or fuse spur is fully accessible.

// 9.1 INSTALLATION OPTIONS

The stud wall **MUST** include a header at the dimensions, highlighted on the following pages. This is to ensure that the weight of the finished wall is not resting on top of the appliance.

The power inlet cable can be installed through your choice of two locations on the top, right hand corner of the appliance. Each can be accessed through one removable plate.

This appliance should be positioned on a firm level surface and in a clean 'dust free' environment. If fitted into an open chimney, the chimney must be blocked off to reduce the risk of draught and damp through the fire, which may cause the safety cut out system in the fan heater to operate.

The base of the opening/stud work must be able to take the full weight of the appliance.

Any protruding headers MUST be made of a non-combustible material. See page 16.

To install into a stud wall the mounting bracket must be removed from the rear of the appliance as shown in section 9.4, page 20.

Once the frame work has constructed and secured to the wall and the appliance is in its end position, ensure that there is power to the appliance before any cladding/plasterboard is installed.

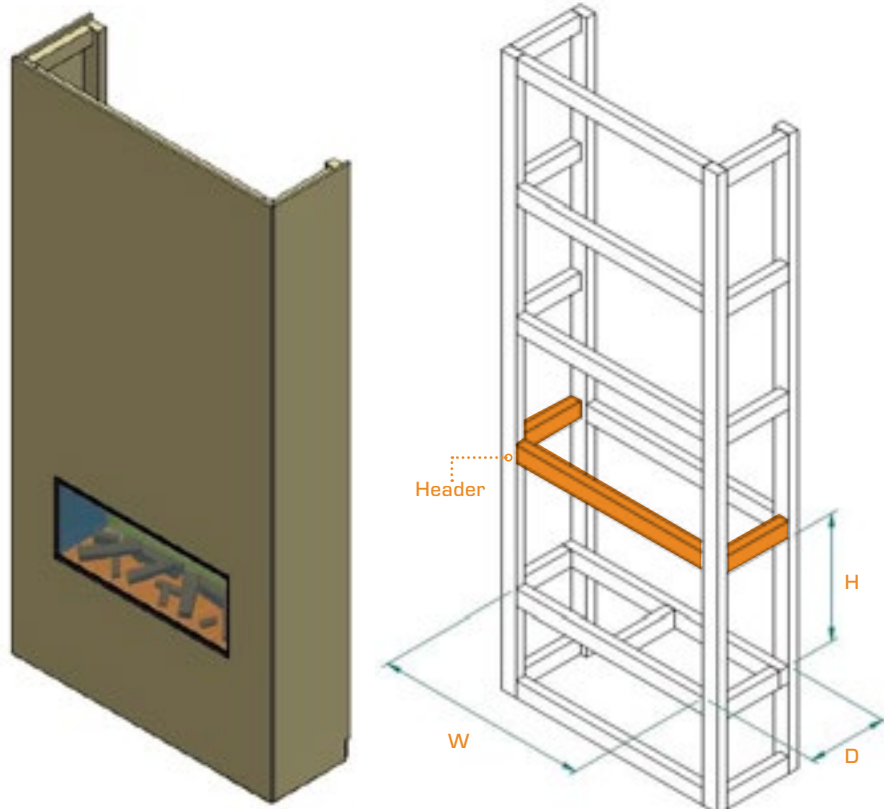
// **WARNING:**

Before enclosing the appliance, test the power in situation in order to ensure the power to the appliance working properly.

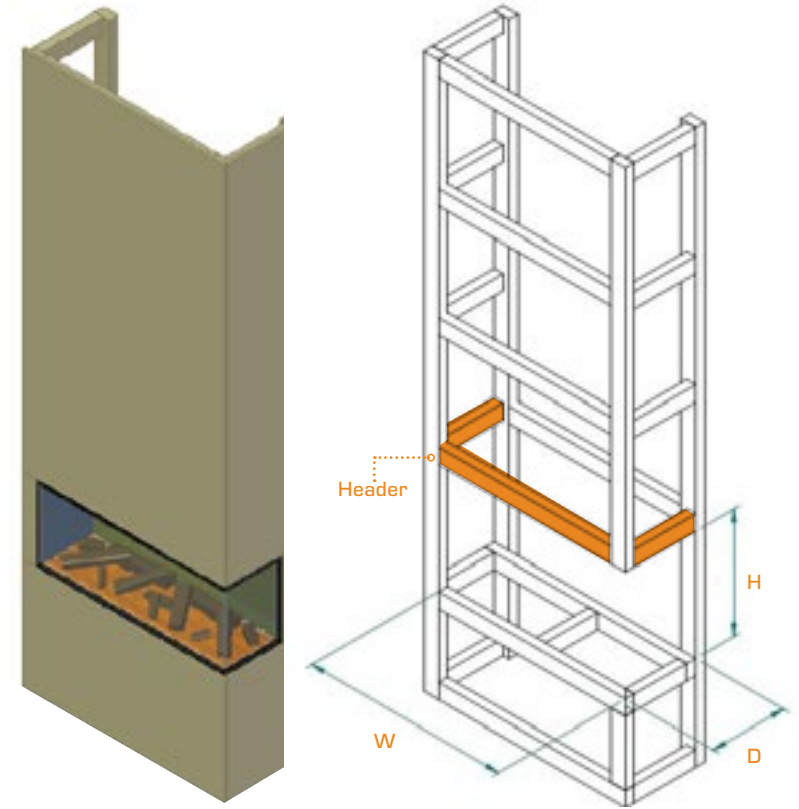
// 9.2 INSTALLATION OPTIONS

FALSE CHIMNEY BREAST CONSTRUCTION

One-sided (fully-recessed) installation



Two-sided installation



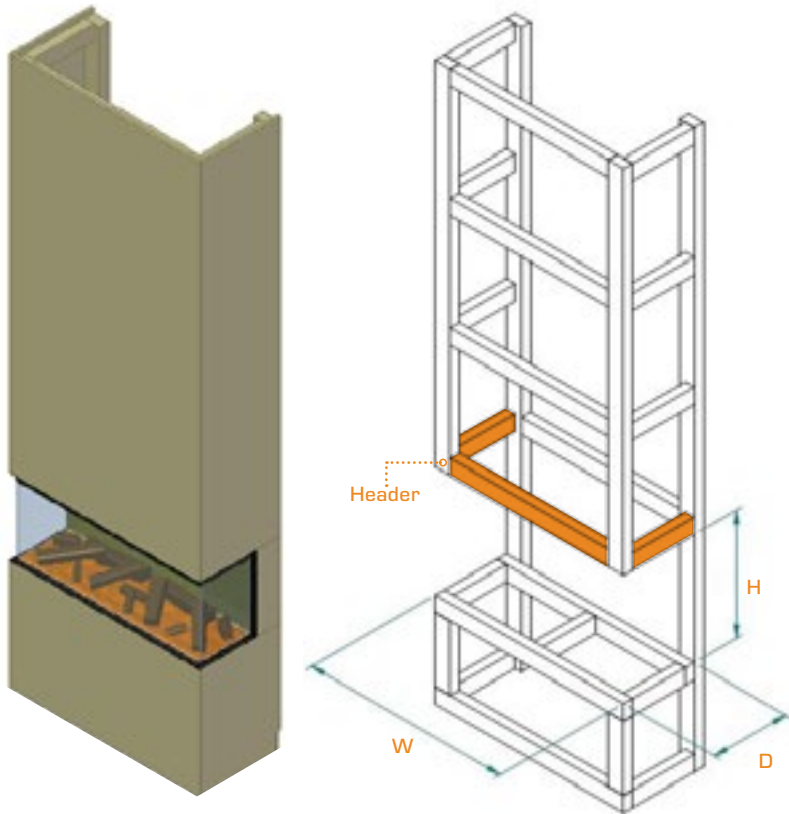
New Forest 48" (1200 mm) Open Dimensions

Height	Width	Depth
565 mm	1178 mm	300 mm
22¼ in.	46¾ in.	11¾ in.

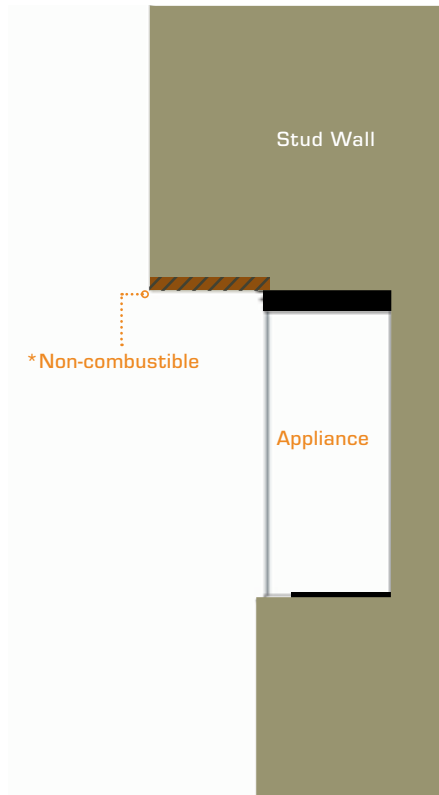
New Forest 63" (1600 mm) Open Dimensions

Height	Width	Depth
565 mm	1178 mm	300 mm
22¼ in.	62 in.	11¾ in.

Three-sided installation



Non-Combustible Overhang Requirements



*If the stud wall immediately above the heater protrudes beyond the front of the appliance then the over-hanging section of the installation must be made from a non-combustible material, such as calcium silicate fireboard.

New Forest 48" (1200 mm) Open Dimensions

Height	Width	Depth
565 mm	1178 mm	300 mm
22¼ in.	46¾ in.	11¾ in.

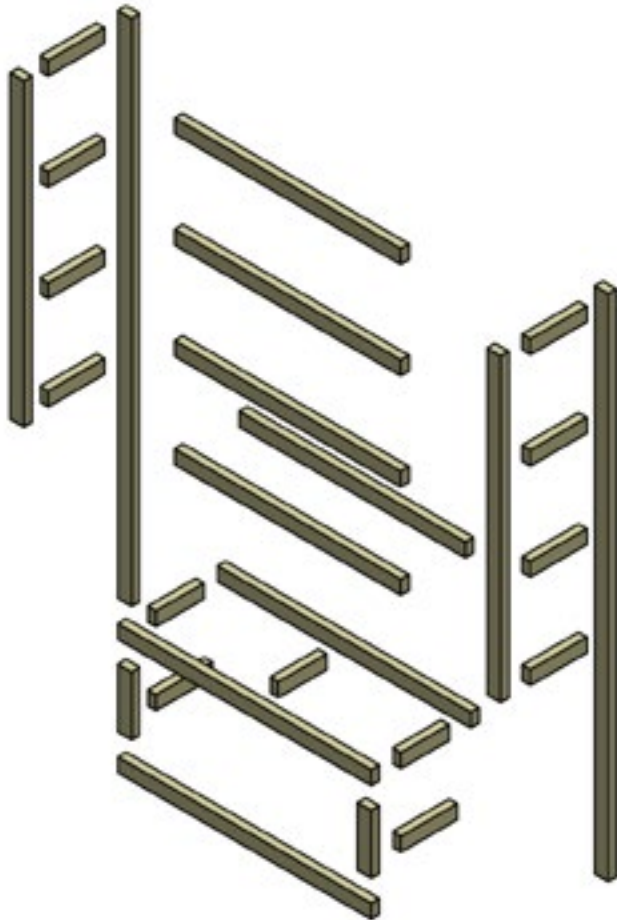
New Forest 63" (1600 mm) Open Dimensions

Height	Width	Depth
565 mm	1178 mm	300 mm
22¼ in.	62 in.	11¾ in.

// 9.3 INSTALLATION – STUDWALL FIXING FALSE CHIMNEY BREAST CONSTRUCTION

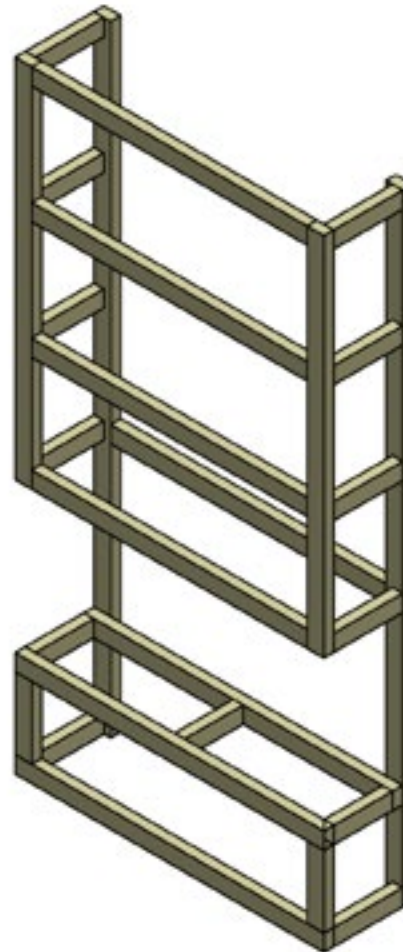
Step 1 – Prepare framework to desired dimensions

See section 9.2 (Pg 15–16) for dimensions



Step 2 – Build frame work and inset the fire

Ensure the structure is safely secured to the wall using the appropriate fixings method and able to support the full weight of the appliance. Please see section 9.0, page 14, for further information



WARNING

The wall where the appliances are to be installed must be capable of long-term support of the total load of the appliance. Measures should also be taken to ensure sufficient strength to withstand the force of earthquakes, vibration and other external forces. Plasterboard alone is not considered to be a structural material. It is not recommended to rely on plasterboard fixings alone to support the weight of the appliance.

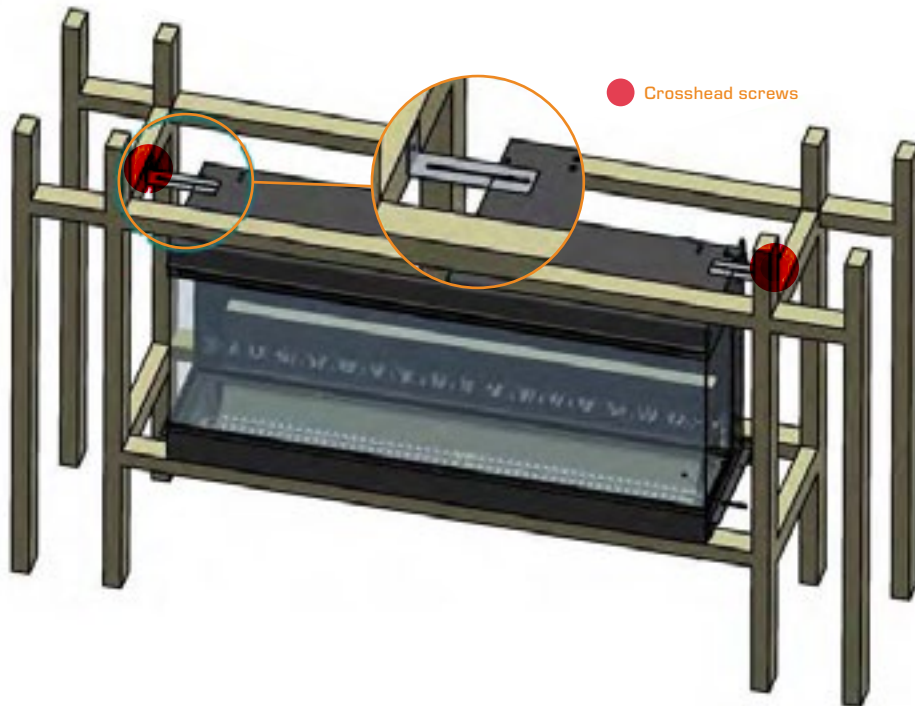


Check regularly for security of wall fixings as appropriate. Also check security of supply cable and connections. If the supply cable becomes damaged, it must be replaced by a service agent or competent person, such as a qualified electrician.

Step 3 – Installing the appliance

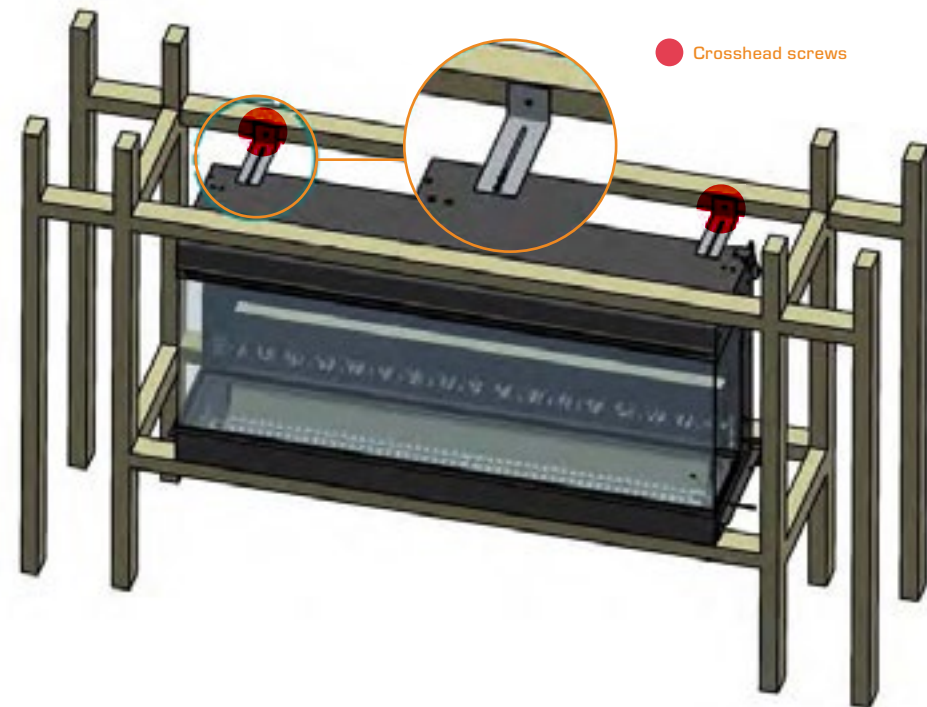
Insert the appliance into the false chimney breast. With a pencil mark through the wall fixing bracket on to the wall/studding where you wish to attached the appliance to the structure.

Please note: Before drilling into walls, always check that there are no hidden wires, pipes, etc. Make sure that screws and wall plugs supplied are suitable for supporting the unit in your surface. Consult a qualified person if you are not sure.



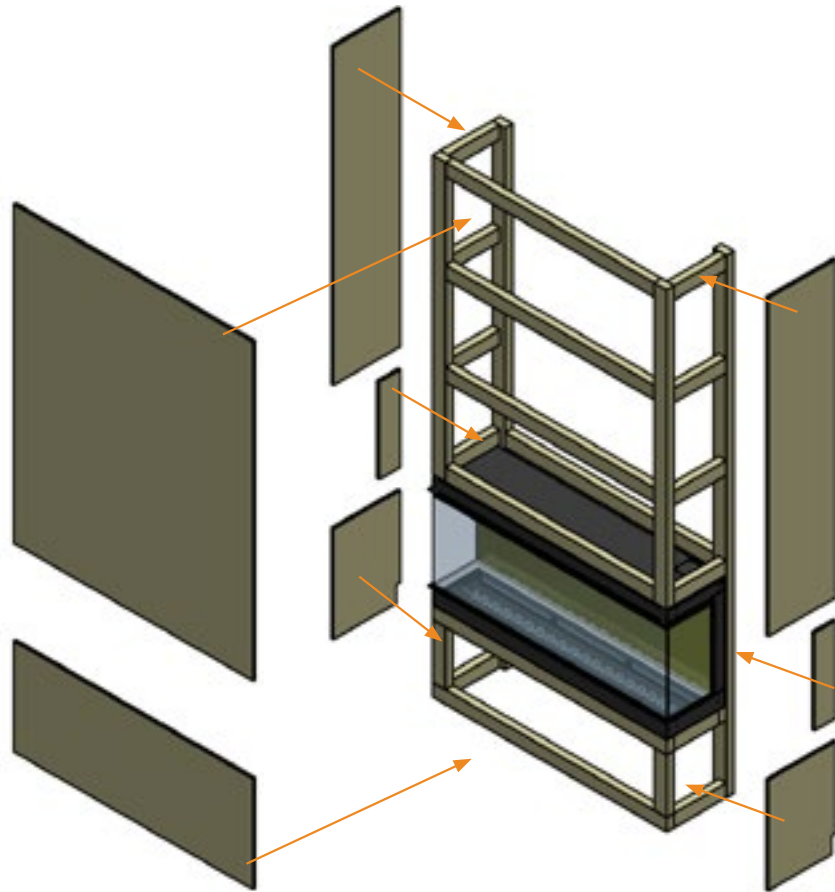
Remove the appliance from the position and use an appropriate sized drill for the chosen wall fixing. If the appliance is to be installed into a brick masonry wall the supplied wall plugs can be used, to use these wall plugs drill a $\frac{5}{16}$ in. wide and 2 in. deep (8 mm wide x 50 mm deep) hole into the wall. Insert the 2x wall plugs into position, then return the appliance to its finished position. Screw the wall screws through the wall brackets on the appliance and into the wall plugs in the wall and tighten, securing the appliance into position.

Once the appliance is in the correct position plug the appliance into the wall and check the power to the appliance. Refer to sections 11.0 and 12.0 on how to sync the remote and operate the appliance.



Step 4 – Add finishing boards. *Important – fire must be in place before this stage*

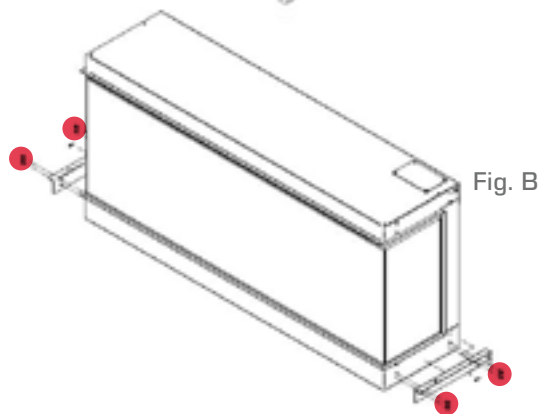
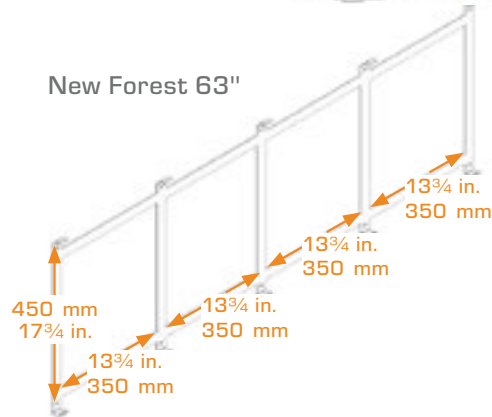
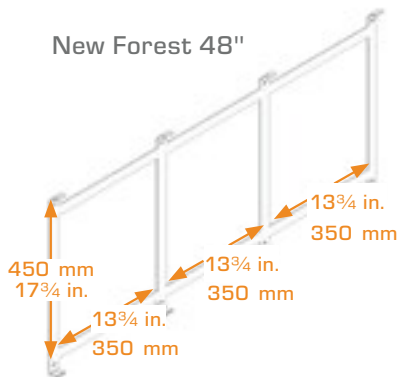
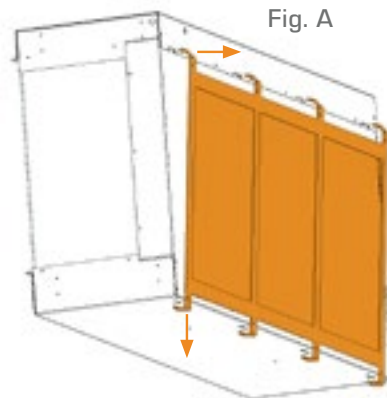
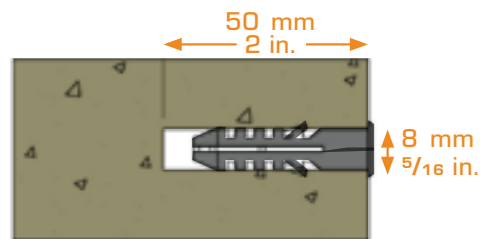
Please note: Before drilling into walls, always check that there are no hidden wires, pipes, etc. Make sure that screws and wall plugs supplied are suitable for supporting the unit in your surface. Consult a qualified person if you are not sure.



// IMPORTANT:

Important do not drill through the appliance when installing the cladding into position!

// 9.4 INSTALLATION – FLOATING



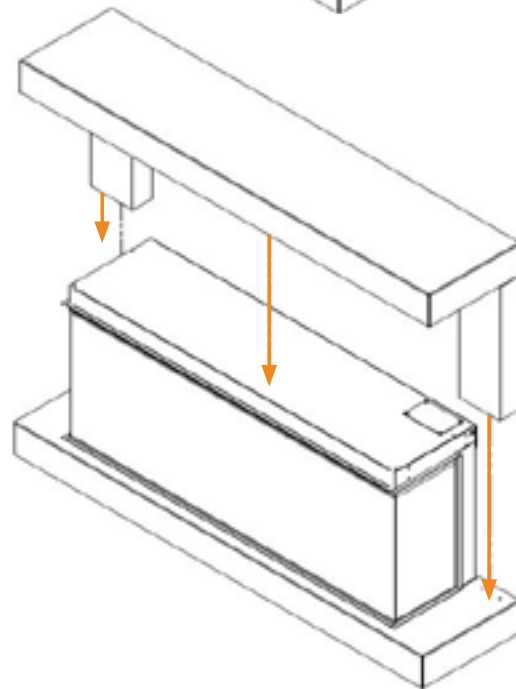
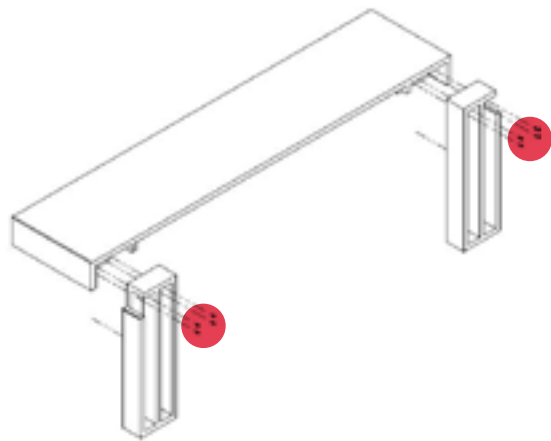
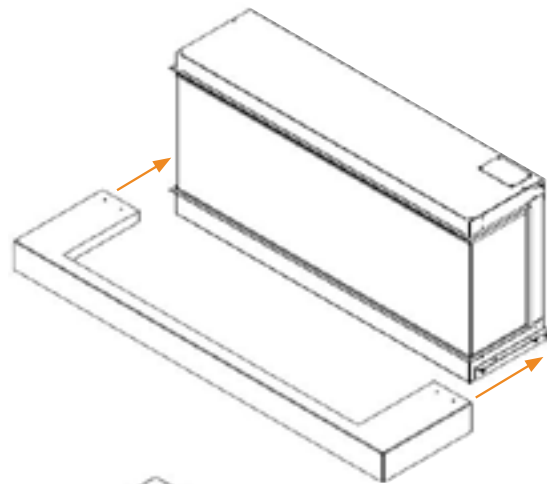
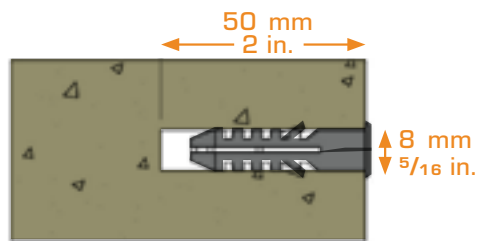
Before installing the appliance onto the wall with the suite, secure the side-trims each side of the appliance as described in section 8.1 Preparing the Appliance.

The installation should be carried out by two adults to avoid injury or damage. If for any reason it is considered too heavy, please obtain assistance.

- 1) Remove the wall mounting bracket from rear of the appliance by moving the bracket down *and* out from the appliance. (See Fig. A)
- 2) Find the optimal place to mount your appliance. Consider the proper position relative to your room, placement of furniture and windows.
- 3) Hold the mounting bracket up to the wall to verify the correct location and ensure that the mounting bracket is level. Use a pencil to mark the eight (8x) (48") or 10x (63") mounting holes on the wall at the desired mounting location, using the mounting bracket as a template.
- 4) Drill a 5/16 in. wide and 2 in. deep (8 mm wide x 50 mm deep) on the marked points.

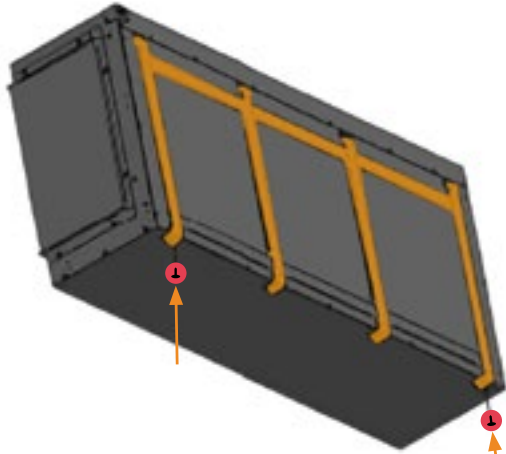
NOTE: If installing the mounting bracket to a wall stud, there is no need to drill the holes in the wood and no need for the plastic wall anchors. It is recommended to install the mounting bracket to at least one wooden stud.

- 5) Tap the eight (8x) (48") or 10x (63") wall anchors into the pre-drilled holes with a hammer until they are flush with the wall.
- 6) Secure the mounting bracket to the wall by using all eight (8x) (48") or 10x (63") wall-fixing screws.
- 7) Install the suite fixing brackets to both sides of the appliance by lining up all four screw holes on the bracket with the four screw holes on each side of the appliance. Once lined up screw eight 5/32 x 5/16 in. (4 x 8 mm) screws to connect the two brackets to the bottom sides of the appliance. (See Fig. B)

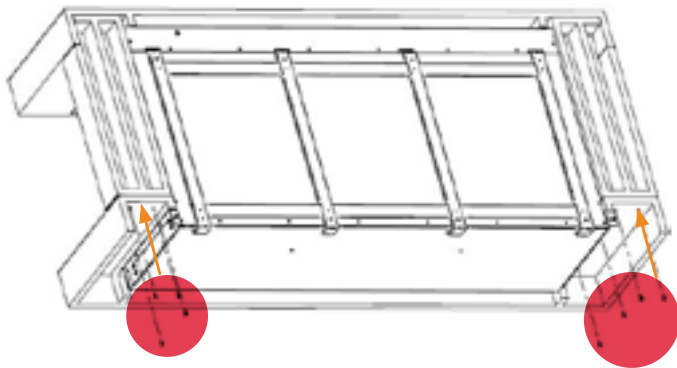


- 8) Install the appliance onto the mounting bracket on the wall. Then mark with a pencil through the hole in the end of the suite fixing brackets against the wall.
- 9) Remove the appliance off of the wall.
- 10) Drill a $\frac{5}{16}$ in. wide and 2 in. deep (8 mm wide x 50 mm deep) on either side of the appliance.
Please note: Before drilling into walls, always check that there are no hidden wires, pipes, etc. Make sure that screws and wall plugs supplied are suitable for supporting the unit in your surface. Consult a qualified person if you are not sure.
- 11) Tap the two wall anchors into the pre-drilled holes with a hammer until they are flush with the wall.
- 12) Install the appliance back onto the wall mounting bracket.
- 13) Then screw the wall screws through the rear of the suite fixing brackets and into the wall plugs.
- 14) Carefully slide the bottom of the suite onto the suite fixing brackets.
- 15) Screw the two legs of the suite from the rear onto the back of the top section of the suite as shown, left.
- 16) Carefully lower the top section of the surround onto the top of the firebox.

// 9.4 INSTALLATION – FLOATING

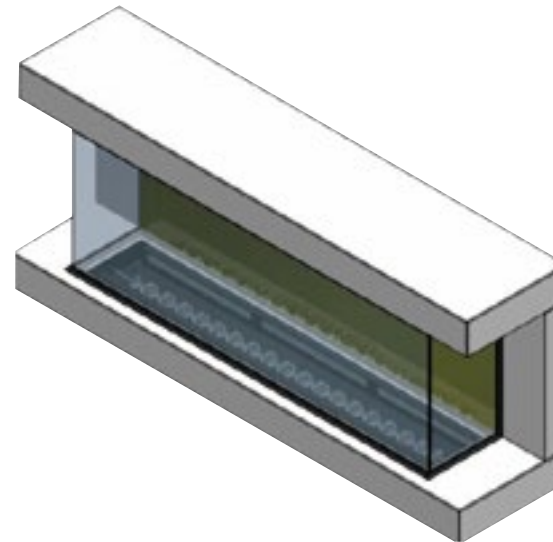


17) Using two (2x) $5/32 \times 15/32$ in. (4x12 mm) screws from the fixing kit, screw the mounting bracket onto the bottom of the firebox.



18) Using the suite screws, screw up through the bottom of the suite, through the suite fixing brackets and into the legs of the top section.

19) Install the bottom panel onto the underside to the surround with the four surround screws left over.



// 10.0 FOREST VIEW FUEL BED LAYOUT



Taking a small amount of the small crystals, scatter randomly over the frosted base as shown above.

PRO TIP – Use the small crystals to pick up extra light from the fuel bed to give you the best effect.



Use the slate pieces and place these randomly on the bed as shown in image 4, above.



Use the contents from the Forest terrain bag and place this in the formation shown above (image 2) towards the front and sides of the frosted base. There should be a single layer to cover this area of the frosted bed and the crystals still visible.



Using the contents from the Husk bag, cover the area on the frosted bed that is still exposed, making sure the crystals are still visible.



Place the logs on top of the base layer created by the crystals, Forest terrain, Husk and slate pieces. Position them as shown above. The logs can be placed in any order, for this look the larger logs are in the center with the remaining logs around them.

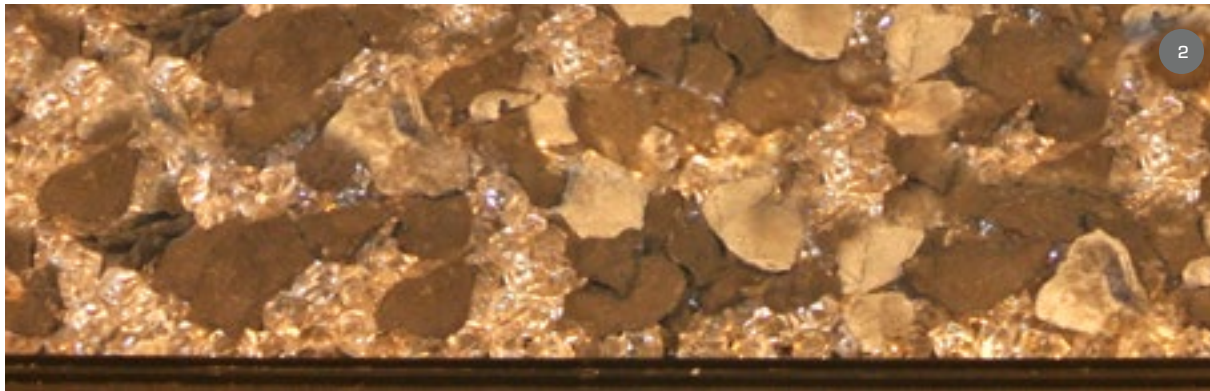
IMPORTANT – Place the logs carefully on the fuel bed so you do not make contact with the rear and side glass. Contact with glass may cause damage.



// 10.0 SLATE VIEW FUEL BED LAYOUT



Evenly scatter the small crystals over the frosted base as shown in image 1, left. The crystals should be spread out across the whole base and form a layer covering the whole area.



Take the two types of the slate effect pieces and spread these evenly throughout, on top of the bed of crystals.



Place the logs on top of the base layer created by the crystals and slate pieces. Position them as shown in image 3. The logs can be placed in any order, we have used the larger ones as centre pieces and placed the remaining logs around them.

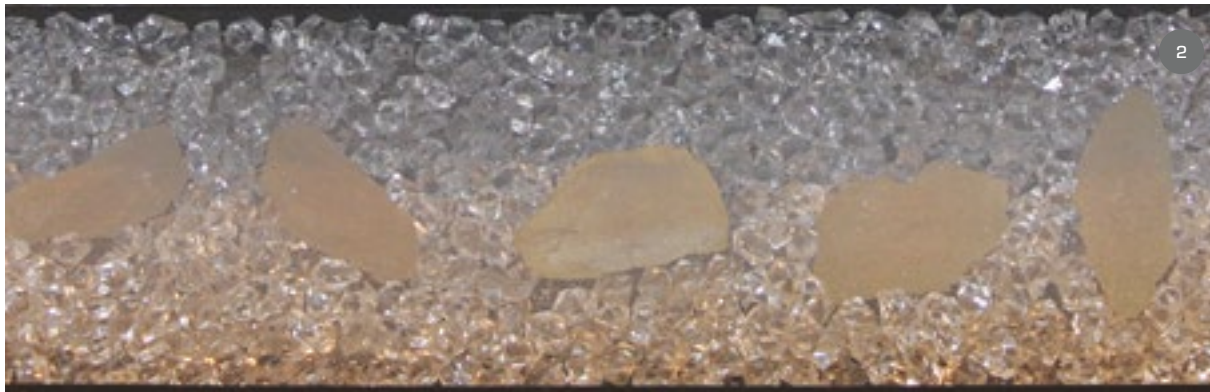
IMPORTANT – Place the logs carefully on the fuel bed ensuring you do not make contact with the rear or side glass. Coming into contact with glass may cause damage.



// 10.0 DIAMOND LIGHT VIEW FUEL BED LAYOUT



Evenly scatter the small crystals over the frosted base as shown in image 1, left. The crystals should be spread out across the whole base and form a layer covering the whole area.





Take the larger crystals and place these in position as shown in image 2, left. For the best results, remove a small amount of the small crystals and place the larger crystal directly on the frosted base.

Three Diamond Light color settings

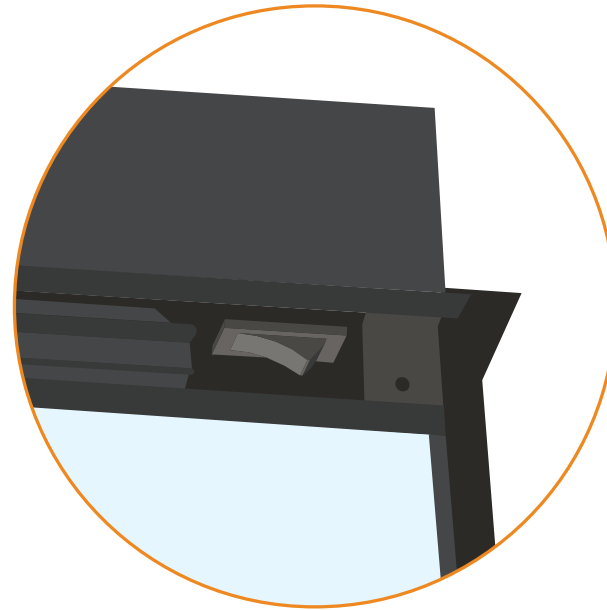


// 11.0 PAIRING THE REMOTE CONTROL

Within 1 minute of turning the power on by the main ON/OFF switch (located on the front, top right hand side of the appliance), press and hold and the  and  buttons on the remote control for 3 seconds, to remotely pair to the appliance, the LCD only displays bL (displayed at the display temperature position) and flashes for 5 seconds, then returns to the current display state. The remote is then paired to the appliance.



The ON/OFF switch is located on the front, top right hand side of the appliance. Press the O/I button once to turn the fire on. The appliance will then automatically start with the LED flame-effect activated.



// 12.0 OPERATING THE NEW FOREST

REMOTE CONTROL

The button distribution of the remote controller is as shown right, and the current state information of the electric fireplace, such as the flame effect, fuel bed, setting, temperature and time set, is displayed on the LCD screen on the remote control.



1) Standby

Turns the appliance ON/OFF standby, the default settings are: heater set to 82°F/27°C, the main flame effect is F1, the Fuel bed is L1 (no temperature display).

2) Flame Control

Changes the flame effect brightness F1, F2, F3, F4, F1 (cycle adjustment)

3) Heater

Heater button switches to the temperature adjustment option when the weekly timing function is adjusted. Then use the **+** and **-** buttons to select the desired temperature. The temperature cannot be adjusted while the daily timer control is in use. Only the heating function can be switched.

Temperature Setting range:

Centigrade: 17°C, 18°C, 19°C, 20°C, 21°C, 22°C, 23°C, 24°C, 25°C, 26°C, 27°C, ON, 17°C (Cycle)
Fahrenheit: 62°F, 63°F, 64°F, 65°F, 66°F, 67°F, 68°F, 69°F, 70°F, 71°F, 72°F, 73°F, 74°F, 75°F, 76°F, 77°F, 78°F, 79°F, 80°F, 81°F, 82°F, ON, 62°F (Cycle)

* Press and hold the heater button for three seconds can transfer from °C to °F.

4) Fuel Bed

Changes the color of the fuel bed. L1, L2, L3, L4, L1 (cycle adjustment)

5) Sleep Timer

Adjusts the timer: 1H, 2H, 3H, 4H, 5H, 6H, 7H, 8H, 9H, OF, 1H (cycle)

6) Down Light

Turns the down lighting ON/OFF, (the down light symbol will be lit when it is turned on).

7) Time and Week Settings

Press to enter the time and week timer settings.

8) Lower temperature 1°C or F°

Press this button to lower the temperature by -1°, incrementally, while heating is on.

9) Raise Temperature 1°C or F°

Press this button to raise the temperature by +1°, incrementally, while heat is on.

10) Date Set

To choose from Monday to Sunday or week timer mode option. Option mode: 1-2-3-4-5-6-7-A-oF.

// 12.0 OPERATING THE APPLIANCE

Standby Button:

Turns the appliance ON/OFF standby, the default settings are: heater set to 82°F/27°C, the main flame effect is F1, the Fuel bed is L1 (no temperature display).

Changing Flame Effect:

In the power-on state, press this button, the digital screen displays the flame position and the flame indicator is bright, and the main flame position can be adjusted. The flame brightness settings are: F1, F2, F3, F4, **Set as follows:**

Button	Display	Flame Effect
1st Press	F1	Full
2nd Press	F2	Medium
3rd Press	F3	Low
4th Press	F4	Cycle through settings

Heating Operations:

1) Press the heater button to turn the heating function on and off and adjust the temperature setting. Heater is divided into temperature settings: 62°, 63°, 64°, 65°, 66°, 67°, 68°, 69°, 70°, 71°, 72°, 73°, 74°, 75°, 76°, 77°, 78°, 79°, 80°, 81°, 82°, ON, 62°F. (Circular operation control)

2) Press and hold the heater button for 3 seconds to convert the temperature unit from °C to °F. The temperature display window will flash. After the temperature is set, the display unit will flash 5 times, then automatically save the settings and exit the setting state. After the display unit is turned on, if there is no operation within 10 seconds, the setting status is also exited.

3) Fan delay function: After the appliance is turned off, the fan will continue running for 15 seconds then stop.

Open Window Detection function:

When the appliance is heating and the ambient temperature suddenly drops $\geq -5^{\circ}\text{C}$ (9°F) within 10 minutes, and the environment cannot be warmed up within 30 minutes the appliance will automatically display “OP”. The heating function will then be automatically turned off, and when the “OP” is displayed, it can be turned off and then restarted by turning off and on the appliance to clear the fault code.

4) This appliance has a non-self-resetting overheat protection device (thermal cut-out) which will activate if the air inlets or outlets are obstructed. For safety reasons the fire will NOT switch on again automatically, the following procedure must be carried out before the fire can be operated.

NOTE: The flame-effect will remain operational if the cut-out is activated, only the fan heater is prevented from working.

Switch OFF the appliance at the wall socket or outlet. Leave the fire OFF for a period of no less than 10 minutes, ensuring all obstructions are removed. Switch the appliance ON at the wall. Ensure the appliance is turned ON at the control switches. If the fire fails to operate correctly, repeat the above procedure.

Refer to section 13.0 for more information about the Safety Cut-Out System.

Fuel Bed Color Options:

Once powered, press the “Fuel Bed” button and the LCD screen on the remote will display the fuel bed icon. Now, the fuel bed color can be adjusted. The different settings are: L1, L2, L3, L4; Fuel bed light. **Set as follows:**

Button	Display	Flame Effect
1st Press	L1	Orange
2nd Press	L2	Blue
3rd Press	L3	Orange + Blue
4th Press	L4	Cycle through settings

Setting Sleep Timer:

In the timed display, press the “Sleep Timer” button to adjust the time, plus one hour for each press. (You can’t enter the weekly timing selection, you can only set the current automatic shutdown time. This function is available when the weekly timing function is turned on. Will not operate). Timing range: 1H, 2H, 3H, 4H, 5H, 6H, 7H, 8H, 9H, 0F, 1H (cycle adjustment).





Control Down Lighting:

Turns the down lighting lights on and off.

Setting Clock and Timer:

Use the date button to choose from Monday to Sunday or week timer mode option. Option mode: 1-2-3-4-5-6-7-A-oF.




Clock setting:

- 1)** At standby state (after the unit is plugged in and before pressing “main power”), press and hold the Setting button on the remote for 3 seconds, the digital display will then flash “00:00”.
- 2)** Press  on the remote control to set the hour, press the remote control  to set the minutes.
- 3)** Press “Setting” to enter the setting of the week timer. Press  to select Sunday to Saturday, The date symbol will light up after the day is selected. When finished, press the  button to exit setting.









NOTE: The current clock must be set after the initial power-on or power-off, otherwise the clock will remain “00:00” status and you won’t be able to set the week timer function.

// 12.0 OPERATING THE APPLIANCE

Heat settings:




Use the remote control's Heater button  to select the temperature. The system default parameters are: 82°F [27°C]. Press  &  buttons to select the temperature when the heating is turned on. Temperature range: 62° - 82°F [16° - 27°C]; ON; 62°F [16°C]; [Cycle].

Timing switch ON/OFF preset:




1) While in the standby state, press the sleep timer  button on the remote for three seconds to pre set timing switch on/off the week timer. Enter mode 1, while the display is "1 ON", the clock will be "01:00", press  to set hour, press  to set minute, press  to set the week, every press on the  will show SU, MO, TU, WE, TH, FR, SA and flash in turn, you can use the  key to select or de-select the desired date. The  indicates all of the selected days. Press the "Heater"  button to enter the temperature setting, then press




the  &  button to set the temperature.

2) Press "Setting"  again to set the timer switch off, the display is 1 OFF, the clock is displayed as "02:00", press  to set hour, press  to set minute, the date of the timer off is the same as the timer on, you can't change this







manually. After setting, press  to enter the setting of mode 2, which operates the same as mode 1. You can set mode 1 to mode 7 with the above method. Press  or  on the remote for 3 seconds to save setting and exit week timer setting.

3) After the preset timing ON/OFF switch, you can use the clock/timer  button to select the desired timing mode 1 - 2 - 3 - 4 - 5 - 6 - 7 - auto option, after the option shows five seconds without any operation, it will save the selected option and enter the current setting of the option, the

timer logo of the display lighten and will automatically run the preset switch setting program. You can individually select each setting of modes 1-7 for automatic ON/OFF switching, or you can preset the desired settings, and then select "auto mode" for multiple preset series executions.

4) If you want to set the ON/OFF switch and temperature setting for different periods of the week, then set the switching time and temperature of each day from Sunday to Monday in mode 1-7. After setting, use the "auto mode" to run timing switch and then the system will run the week timer of 1-7 modes. You can also set 1-7 modes within 1 day, use the "auto mode" to run timing switch ON/OFF within one day. Be aware that when you use "auto mode", you need to make sure the settings of times does not overlap each other, otherwise the timer will not operate.

5) After entering the week timer setting, press the  button for 3 seconds to exit the week timer mode, then the timer symbol will be extinguished. You can check the 1-7 timer settings by pressing the "Setting"  button. For example: press  to display [1 ON "01:00" temperature 80°F [27°C]], press  again to display [1 OFF "02:00" temperature 80°F [27°C]]. Press the "Setting" button again to display [2 On "03:00" temperature 79°F [26°C]] then press the Setting button to display [2 OFF "13:00" temperature 80°F [27°C]]. The wireless remote control and the appliance must be kept within 4 meters to prevent the remote control and the appliance from failing due to the distance exceeding the effective remote control range when working at the weekly timing. After the weekly time is turned on, the remote controller automatically controls the appliance at the set appointment time.

// 13.0 SAFETY CUT-OUT SYSTEM

This appliance has a non-self-resetting overheat protection device (thermal cut-out) which will activate if the air inlets or outlets are obstructed. For safety reasons the fire will NOT switch on again automatically.

The following procedure must be carried out before the fire can be operated again:

- 1) Switch OFF the appliance *at the wall socket* or outlet. Leave the fire OFF for a period of no less than 10 minutes, ensuring all obstructions are removed.
- 2) Switch the appliance to ON at the wall.
- 3) Ensure the appliance is turned ON at the ON/OFF switches.

NOTE: During the cut-out test the fire will automatically display '88'.

If the fire fails to operate correctly, repeat steps one and two. If an attempt to switch on the appliance is made before the safety cut-out has reset, the appliance may cut-out for a further period of time.

If the sequence has been followed correctly and the appliance still fails to function, check the fuse in the wall outlet. If this is not the cause, call an electrician or maintenance engineer.

NOTE: The flame-effect will remain operational if the cut-out is activated and only the fan heater is prevented from working.

// 14.0 CLEANING AND MAINTENANCE

Cleaning:

For general cleaning use a soft clean duster – never use harsh abrasive or cleaners. The glass panels should be cleaned carefully with a soft cloth. Remove the front facing glass pane in order to clean the inside of the pane. Please refer to section 8.1 to do this.

Except for periodic cleaning of dust, there are no specific requirements for care, other than regular cleaning of the general appliance. A wipe with a dry cloth is normally sufficient. DO NOT use abrasive cleaners as they can damage the finish. Make sure the heater outlet and inlet grille (located on the top, front, centre of the appliance) is kept clear of dust, pet hair and other airborne household matter. These should be vacuum cleaned periodically using a brush attachment. The LED light strips are designed and tested to last 20,000 hours.

Handset Battery Replacement

Battery Requirements:

Two (2) AAA 1.5V

- 1) Remove the battery cover and the used batteries from the back of the remote control.
- 2) Insert the two replacement batteries the correct way into the battery holder – making sure the batteries are firmly seated.
- 3) Then insert the battery cover back into position.
- 4) You will then need to pair the remote to the appliance. Please refer to section 11.0 Pairing The Remote Control.

If in doubt consult a qualified electrician. Refer to Section 3.0 Appliance Data for fuse specification. Excluding fuses, use only genuine manufacturers spare parts available from your supplier.

// CAUTION:

Always disconnect the appliance from the mains supply outlet socket before undertaking any cleaning or maintenance!

// 15.0 TROUBLESHOOTING GUIDE

My New Forest Electric Fire...	Remedy
is not switching on	Ensure mains switch is on. Replace the fuse in the plug.
is not emitting any heat	The fire is fitted with an energy saving thermostat. If the temperature in the room is higher than the temperature selected on the fire, then the thermostat will stop the heater from turning on. For example, if the room temperature is 72°F (22°C) or above and the fires heater is set at 72°F (22°C), then the heater will not be required until the room temperature drops below 72°F (22°C). If this is the case select a higher temperature setting than the room's temperature and the heater will begin to operate. The safety cut-out may have been operated. Switch the appliance off, leave for 10 minutes then switch back on.
shuts off after a period of time	<p>Check that the temperature is not set onto the lower settings. If the room is warm enough the thermostat will stop the fire switching the heat on.</p> <p>Check that the air inlet/outlet is blocked off.</p> <p>Check that the window detection sensor has not activated.</p>
Display panel shows	<p>88 There is a fault with the heater. Check that the temperature is not set onto the lower settings. If the room is warm enough the thermostat will stop the fire switching the heat on. Check that the air vent are not blocked off.</p> <p>EE There is an electrical fault. A service engineer will need to check the thermostat for any loose connections.</p> <p>OP The open Window Detection function is in operation, this operates when the appliance is heating and the ambient temperature suddenly drops $\geq -5^{\circ}\text{C}$ (9°F) within 10 minutes, and the environment cannot be warmed up within 30 minutes, resulting in the appliance automatically displaying "OP." The heating function will then be automatically turned off, and when the "OP" is displayed, it can be turned off and then restarted by turning off and on the appliance to clear the fault code.</p>

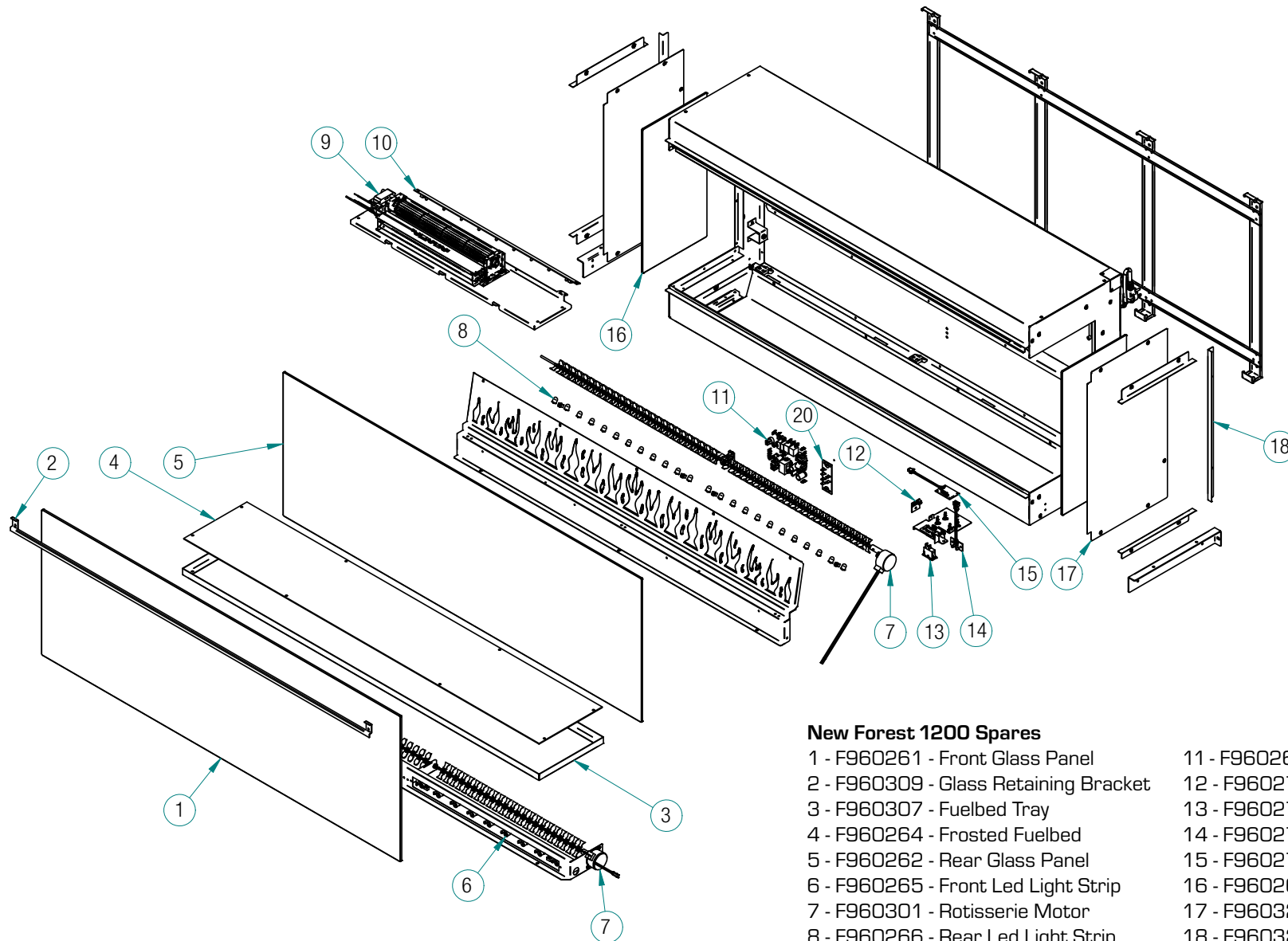
// 16.0 SPARE PARTS



// ATTENTION:

The New Forest 1600 comes with additional small logs from the numbered list above

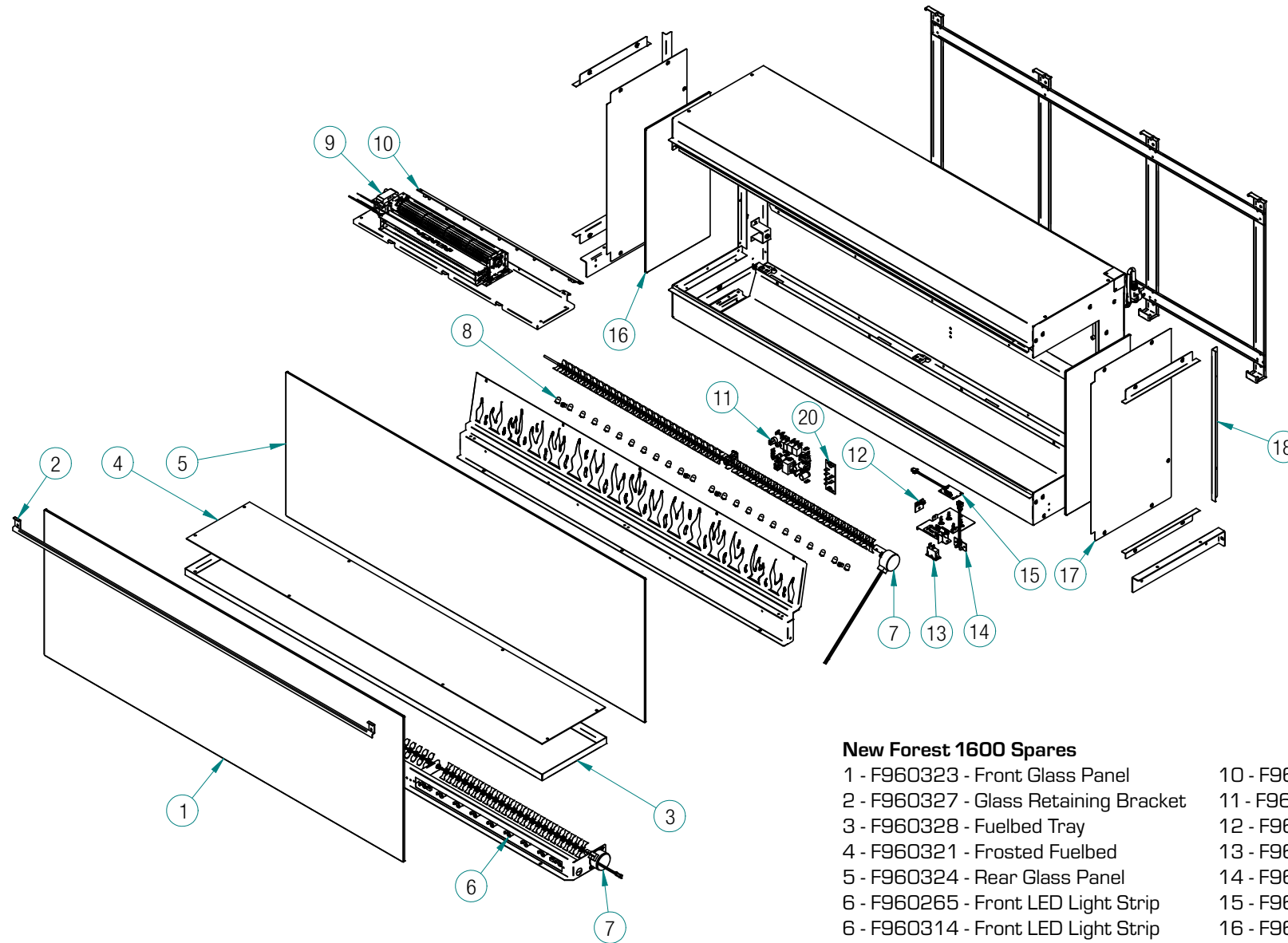
// 16.0 NEW FOREST 1200 / 48" SPARE PARTS



New Forest 1200 Spares

- | | |
|---------------------------------------|---------------------------------------|
| 1 - F960261 - Front Glass Panel | 11 - F960267 - PCB |
| 2 - F960309 - Glass Retaining Bracket | 12 - F960274 - NTC Thermostat |
| 3 - F960307 - Fuelbed Tray | 13 - F960271 - Isolator Switch |
| 4 - F960264 - Frosted Fuelbed | 14 - F960275 - Feedback Display Panel |
| 5 - F960262 - Rear Glass Panel | 15 - F960273 - Remote Receiver |
| 6 - F960265 - Front Led Light Strip | 16 - F960263 - Side Glass Panel |
| 7 - F960301 - Rotisserie Motor | 17 - F960322 - Blanking Panel |
| 8 - F960266 - Rear Led Light Strip | 18 - F960320 - Large End Trim |
| 9 - F960302 - Heater & Fan Assembly | 19 - F960268 - Remote Handset |
| 10 - F960272 - Downlight LED Strip | 20 - F960352 - Inlet PCB |

// 16.0 NEW FOREST 1200 / 63" SPARE PARTS



New Forest 1600 Spares

- | | |
|---------------------------------------|---------------------------------------|
| 1 - F960323 - Front Glass Panel | 10 - F960272 - Downlight LED Strip |
| 2 - F960327 - Glass Retaining Bracket | 11 - F960267 - PCB |
| 3 - F960328 - Fuelbed Tray | 12 - F960274 - NTC Thermostat |
| 4 - F960321 - Frosted Fuelbed | 13 - F960271 - Isolator Switch |
| 5 - F960324 - Rear Glass Panel | 14 - F960275 - Feedback Display Panel |
| 6 - F960265 - Front LED Light Strip | 15 - F960273 - Remote Receiver |
| 6 - F960314 - Front LED Light Strip | 16 - F960263 - Side Glass Panel |
| 7 - F960301 - Rotisserie Motor | 17 - F960322 - Blanking Panel |
| 8 - F960266 - Rear LED Light Strip | 18 - F960320 - Large End Trim |
| 8 - F960315 - Rear LED Light Strip | 19 - F960268 - Remote Handset |
| 9 - F960302 - Heater & Fan Assembly | 20 - F960352 - Inlet PCB |

// 17.0 TWO YEAR LIMITED WARRANTY

Products to which this limited warranty applies

This limited warranty applies to your newly purchased British Fires Electric product. This limited warranty applies to the original purchaser of the product only and is not transferable.

Terms & Conditions

Products covered by this limited warranty have been tested and inspected prior to shipment. Subject to the provisions of this warranty, British Fires warrants such products to be free from defects in material and workmanship for a period of two years from the date of the first purchase.

British Fires is not responsible for the labour costs to remove defective parts or reinstall repaired or replacement parts.

The limited 2 years warranty period for products also applies to any implied warranties that may exist under applicable law. Some jurisdictions do not allow limitations on how long an implied warranty lasts, so the above limitation may not apply to the purchaser.

Any part that is provided under the warranty to repair any defect will continue to be covered under the existing warranty which commenced from the original purchase date. For avoidance of doubt, the guarantee period will not be extended even if we repair or replace a component.

What this limited warranty does not cover

This limited warranty does not apply to products that have been repaired (except by its authorized service representatives) or otherwise altered. This limited warranty does further not apply

to defects resulting from misuse, abuse, accident, neglect, incorrect installation, improper maintenance or handling, or operation with an incorrect power source.

What British Fires and its dealers and service agents are also not responsible for:

In no event will British Fires or its Directors, Officers, or Agents, be liable to the purchaser or any third party. Whether in contract, in tort, or on any other basis, for any indirect, special, punitive, exemplar, consequential, or incidental loss, cost, or damage arising out of or in connection with the sale, maintenance, use or inability to use the product, even if British Fires or its Directors, Officers, or Agents have been advised of the possibility of such losses, costs or damages, or if such losses, costs, or damages are foreseeable. Some jurisdictions do not allow the exclusion or limitation of incidental or consequential damages, so the above limitation or exclusion may not apply to the purchaser.

How State and Provincial law apply

This limited warranty gives you specific legal rights, and you may also have other rights which vary from jurisdiction to jurisdiction. The provisions of the United Nations Convention on Contracts for the Sale of Goods shall not apply to this limited warranty or the sale of products covered by this limited warranty.



Miles Industries
#190, 2255 Dollarton Hwy
North Vancouver
British Columbia
V7H 3B1



1.604.984.3496



Waste electrical appliances should not be disposed of with household waste. Please recycle where facilities exist. Check with your local authority or retailer for recycling advice.

As our policy is one of continuous improvement and development, we therefore, hope that you will understand we must retain the right to amend details and/or specifications without prior notice.



// 18.0 NEW FOREST 48" (1200) DIMENSIONS

Dimensions:

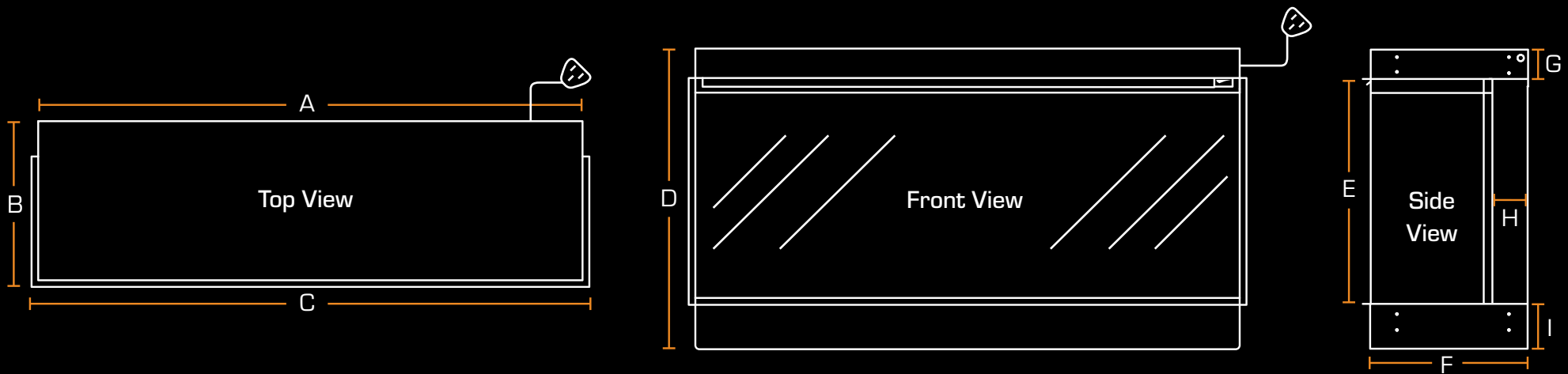
A	1178.0 mm	46 ³ / ₈ in
B	311.0 mm	12 ¹ / ₅ in
C	1200.0 mm	47 ¹ / ₄ in
D	565.0 mm	22 ¹ / ₄ in
E	424.0 mm	16 ³ / ₄ in
F	300.0 mm	11 ³ / ₄ in
G	55.5 mm	2 ¹ / ₅ in
H	67.0 mm	2 ⁵ / ₈ in
I	83.5 mm	3 ¹ / ₃ in

Specifications:

Supply voltage:	120V AC
Rating power:	60Hz
Fuse rating:	13 Amp
Lighting:	LED

Features:

- Outlet plug with 6ft. long cord
- All fuel bed items included
- Remote control included



US Patent Application Number 16/710,568

Canadian Patent Application Number 3,078,189

// 18.0 NEW FOREST 63" (1600) DIMENSIONS

Dimensions:

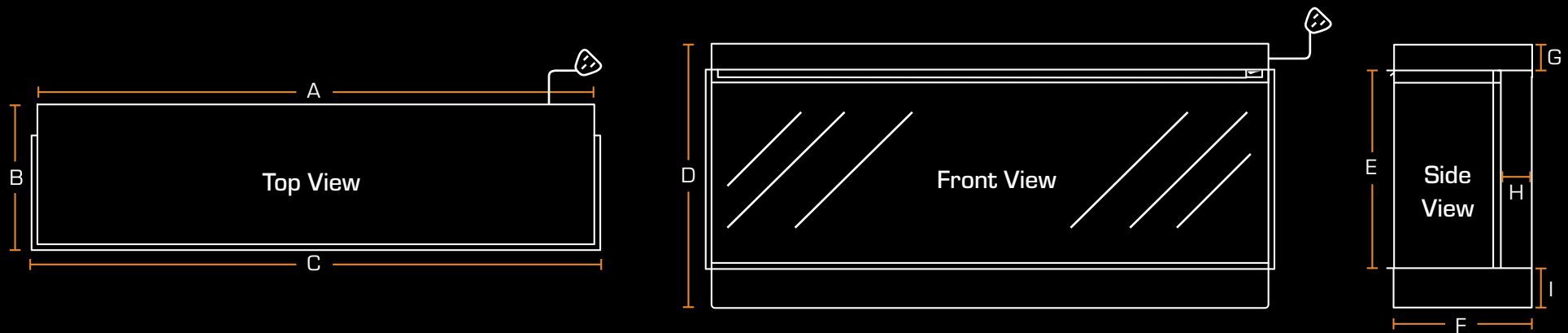
A	1578.0 mm	62 in
B	311.0 mm	12 $\frac{1}{8}$ in
C	1600.0 mm	63 in
D	565.0 mm	22 $\frac{1}{4}$ in
E	424.0 mm	16 $\frac{3}{4}$ in
F	300.0 mm	11 $\frac{3}{4}$ in
G	55.5 mm	2 $\frac{1}{8}$ in
H	67.0 mm	2 $\frac{5}{8}$ in
I	83.5 mm	3 $\frac{1}{3}$ in

Specifications:

Supply voltage:	120V AC
Rating power:	60Hz
Fuse rating:	13 Amp
Lighting:	LED

Features:

- Outlet plug with 6ft. long cord
- All fuel bed items included
- Remote control included



US Patent Application Number 16/710,568

Canadian Patent Application Number 3,078,189



This appliance is only suitable for well insulated spaces or occasional use. Please note: Except where otherwise stated, all rights, including copyright in the text, images and layout of this booklet is owned by British Fires. You are not permitted to copy or adapt any of the content without the prior written permission of British Fires. © 2022 British Fires

Models covered by this instruction manual:

New Forest 48" Electric Fire (EF40-48B)

New Forest 63" Electric Fire (EF40-63B)

US Patent application Number: 16/710,568

CA Patent application Number: 3,078,189

All instructions must be handed to the user for safekeeping.
Version C - 06/2022

British Fires
Christchurch
Dorset
BH23 2BT
UK

RBK House
Irishtown, Athlone Co.
Westmeath
N37 XP52, Ireland

T: +44 (0) 808 169 9911
W: britishfires.com
E: sales@britishfires.com