

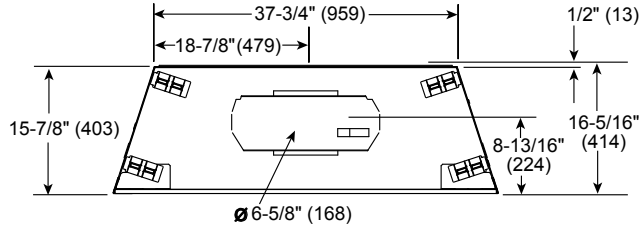
**MAJESTIC**

Please consult the manufacturer's installation manual for all details and requirements before making a final design layout decision.

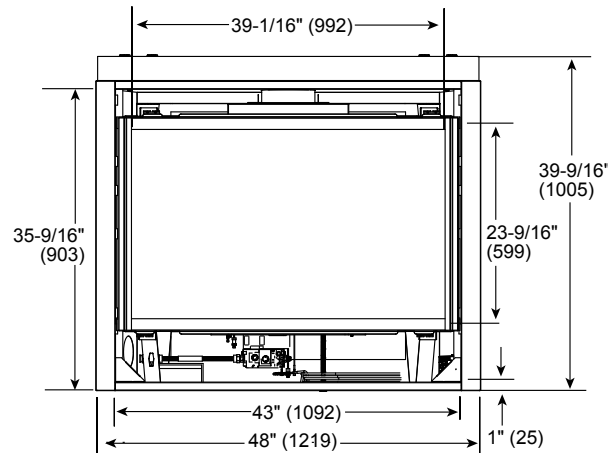
**QUARTZ 42**  
Direct Vent Gas Fireplace

MODEL	FRONT WIDTH		REAR WIDTH		HEIGHT		DEPTH		GLASS SIZE
	Actual	Framing	Actual	Framing	Actual	Framing	Actual	Framing	
QUARTZ42	48" [1219mm]	49" [1245mm]	37-3/4" [959mm]	49" [1245mm]	39-9/16" [1005mm]	39-7/8" [1013mm]	16-5/16" [415mm]	16-1/4" [413mm]	39-1/16" X 23-9/16" [992mm] X [599mm]

**TOP VIEW**

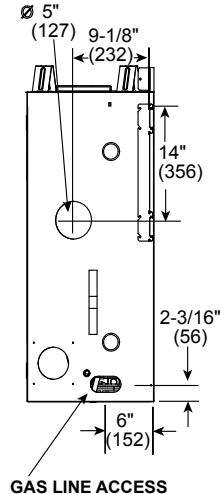


**FRONT VIEW**

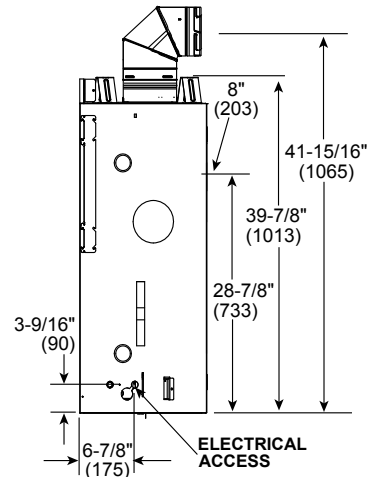


**HEAT-ZONE® ACCESS**

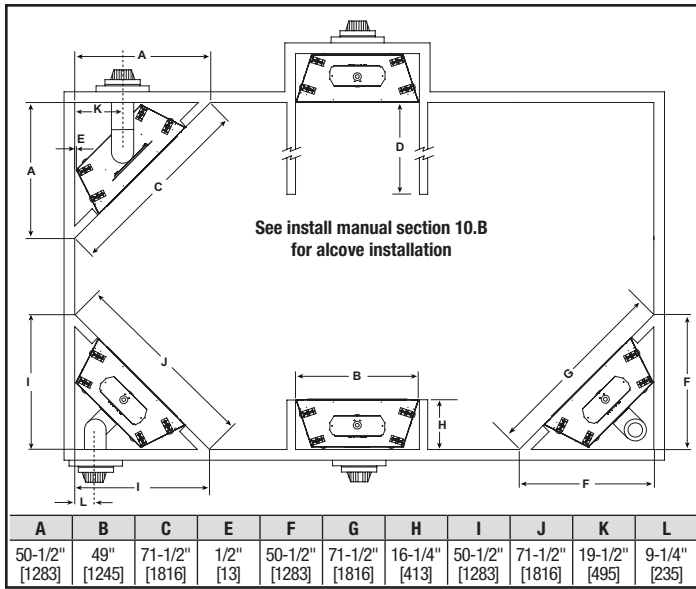
**LEFT SIDE**



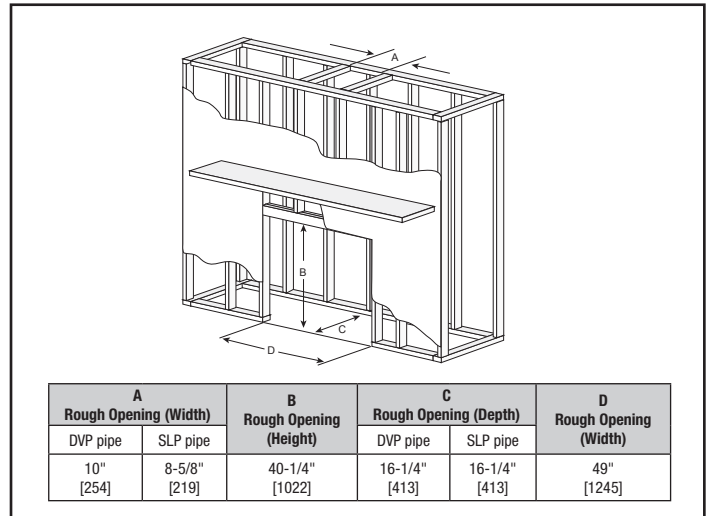
**RIGHT SIDE**



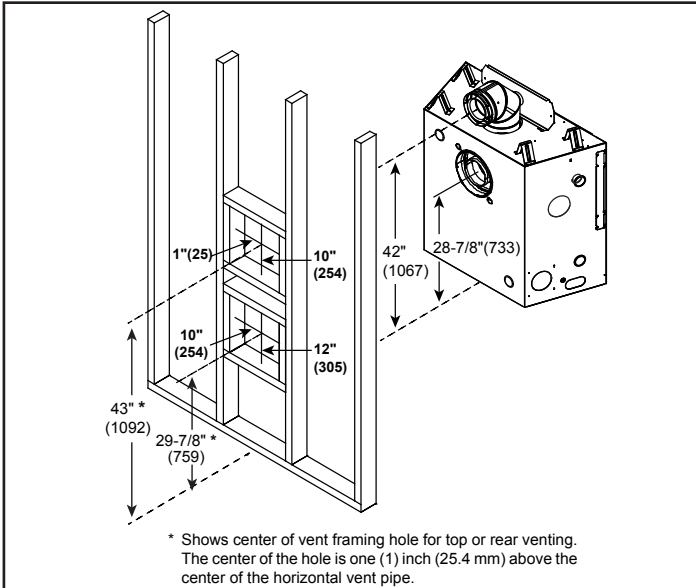
**APPLIANCE LOCATION**



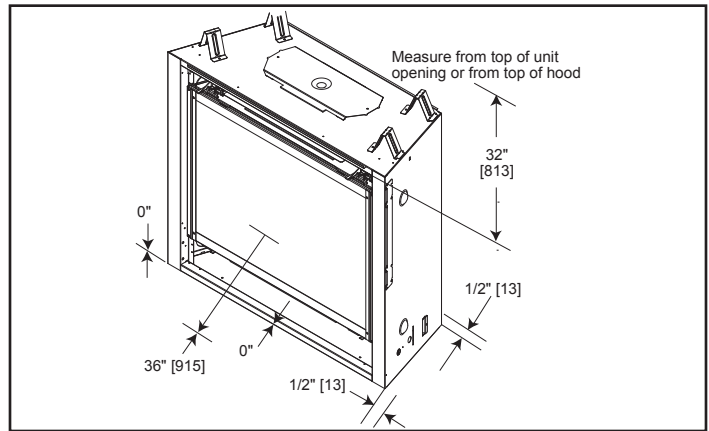
**FRAMING DIMENSIONS**



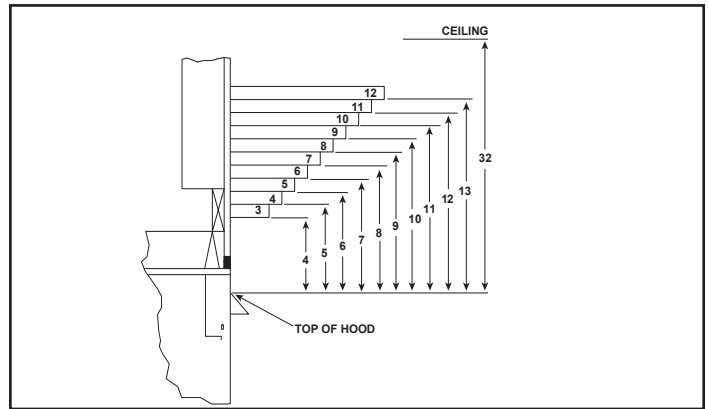
**WALL PENETRATION**



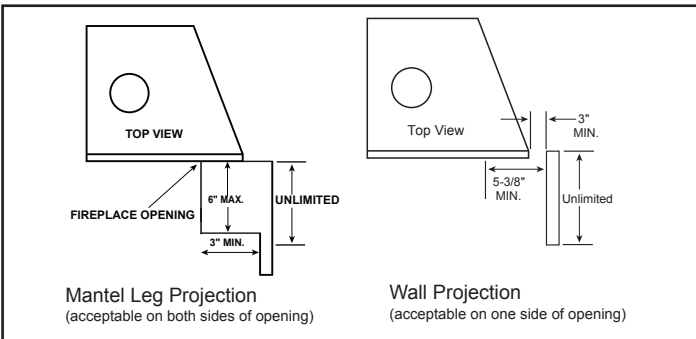
**CLEARANCES TO COMBUSTIBLES**



**MANTEL PROJECTIONS**



**MANTEL LEG/WALL PROJECTIONS**



PRODUCT LISTING CODES	
US	ANSI Z21.88-2016
CAN	CSA 2.33-2016

Product information provided is not complete and is subject to change without notice. Product installation must adhere strictly to instructions accompanying product to avoid risk of fire and potential injury.

Additional information can be found online at [www.majesticproducts.com](http://www.majesticproducts.com)