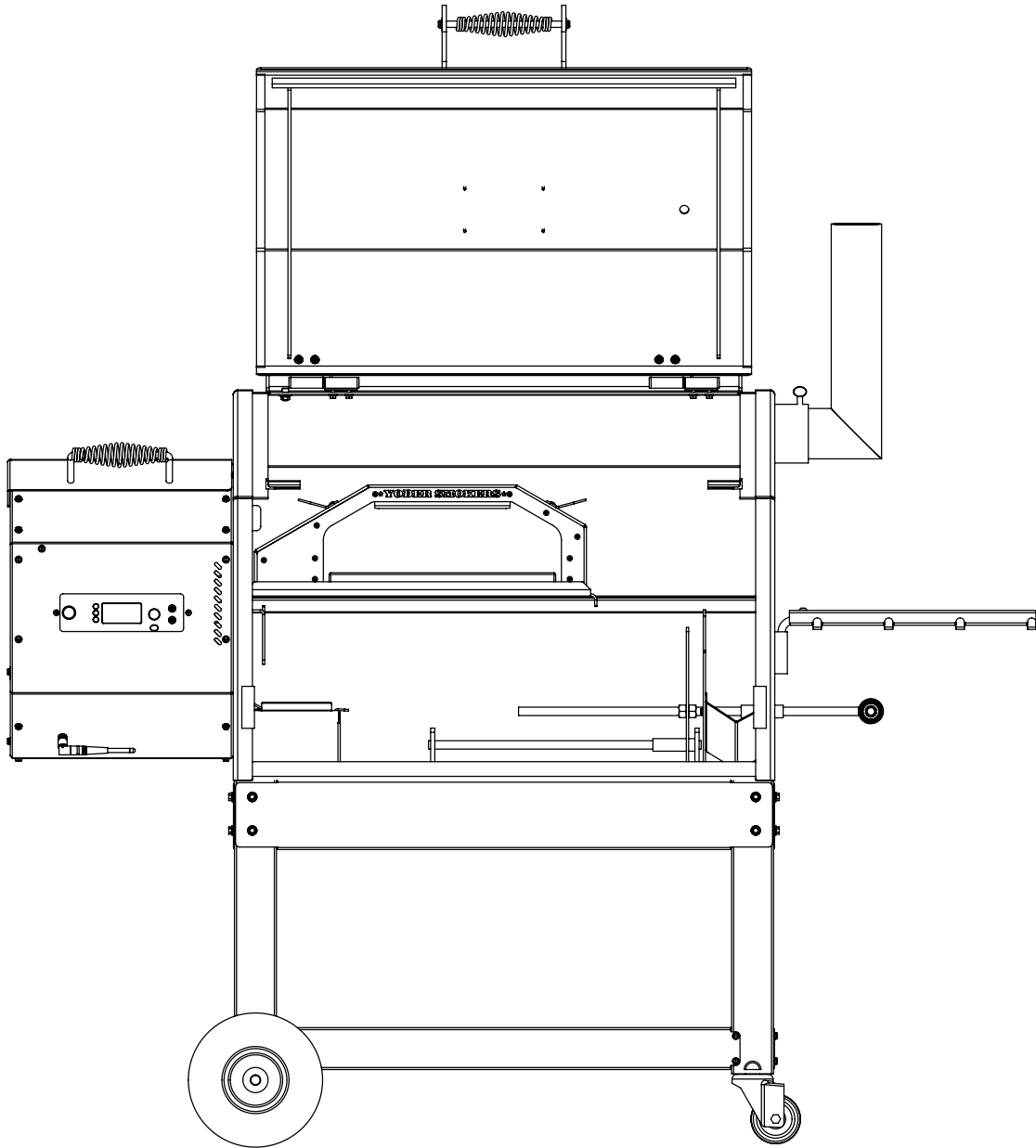


# YODER SMOKERS PIZZA OVEN

YS640 / YS480 INSTALLATION INSTRUCTIONS

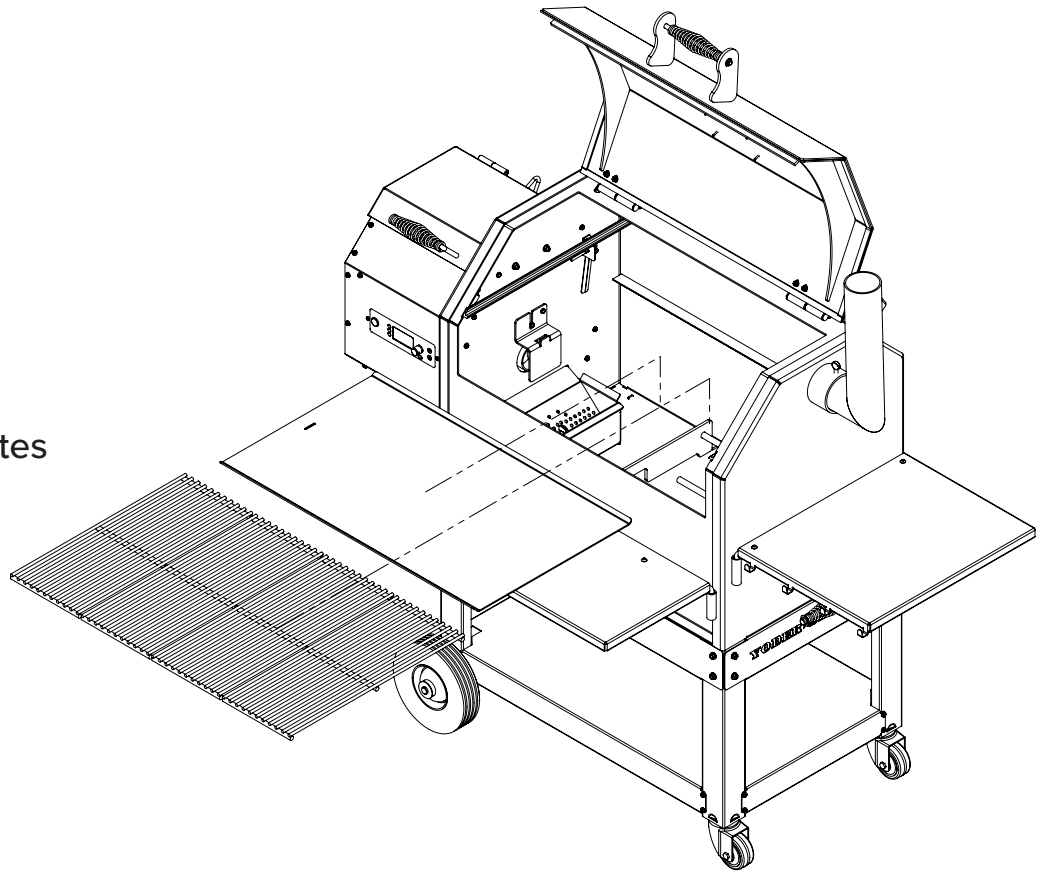


**CAUTION:** BEFORE BEGINNING THIS PROCEDURE, ENSURE THAT THE POWER CORD TO THE SMOKER IS DISCONNECTED! FAILING TO DO SO MAY RESULT IN BODILY INJURY.

**COMPETITION CART MODELS REQUIRE UNPLUGGING THE POWER CORD FROM THE HOPPER LOCATED UNDER THE CART.**

# STEP 01

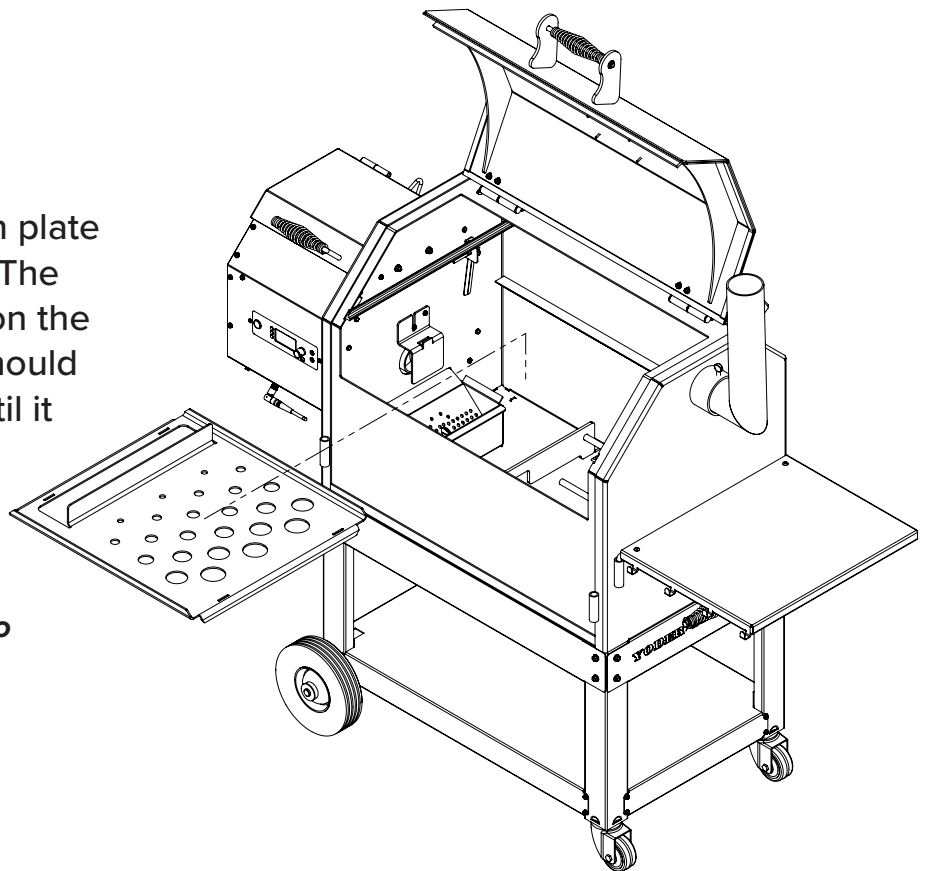
Remove the cooking grates and heat diffuser plate.



# STEP 02

Install the oven heat distribution plate into the cooker as shown here. The heat distribution plate will rest on the lower cooking grate rails and should be slid towards the burner pot until it contacts the hopper wall.

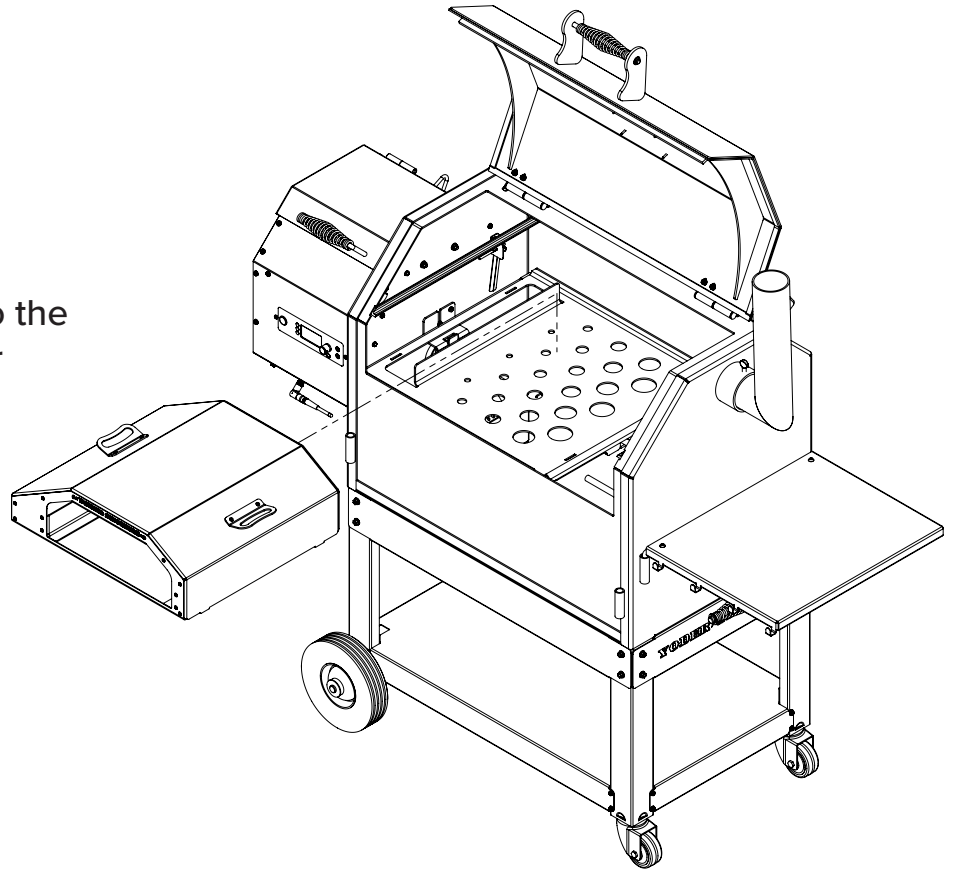
**NOTE:** When installing in a YS480, the heat distribution plate will need to be angled, with the side closest to the hopper up, to fit through the door opening.



## STEP 03

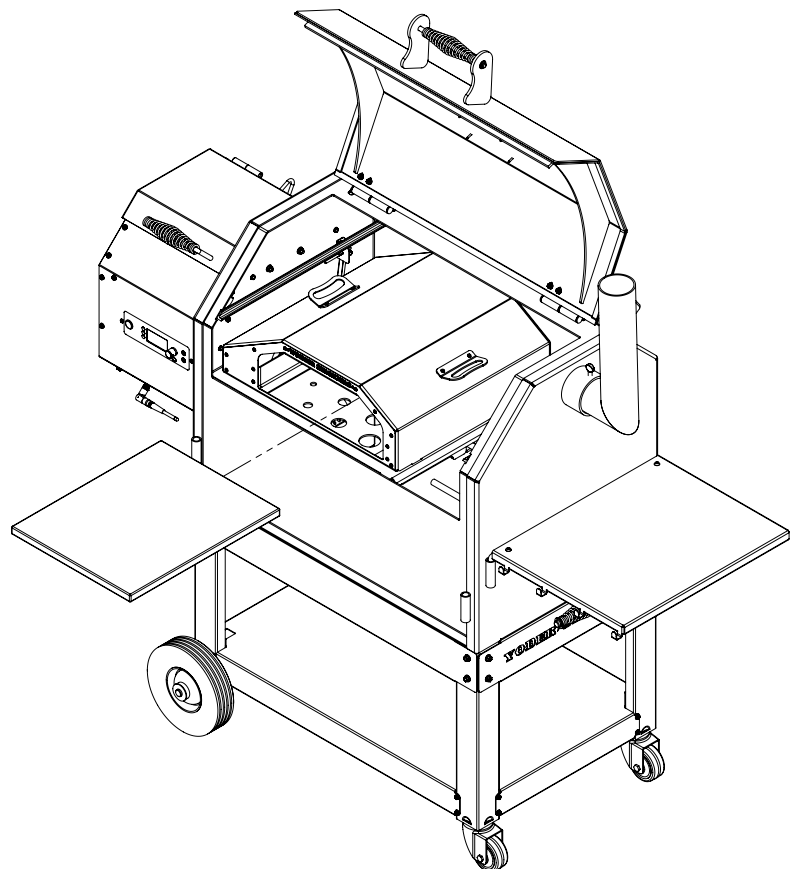
Install the hood assembly onto the plate as shown. There are four tabs/slots that will locate the hood in the proper position.

**NOTE:** *The left stone rail should be just to the right side of the vertical flange on the heat distribution plate.*



## STEP 04

Place the pizza stone on the rails inside the oven. Make sure the rough "glossy" side of the stone is facing upward.



# STEP 05

**This completes the installation.**

Ignite your cooker, set your preferred temperature, and you are ready to bake.



**FOR PRODUCT SUPPORT CONTACT**

**CustomerService@YoderSmokers.com**

**877.409.6337 (OPTION 2)**

**YODERSMOKERS.COM**