



PATIO INFRARED HEATER

THIS APPLIANCE IS CERTIFIED FOR OUTDOOR USE ONLY

USER INSTALLATION AND OPERATION GUIDE

INDEX

General and specifications2-3

Safety and caution4

Tool and accessory requirements.....5

Assembly instructions.....6-7

Leak testing the connections8

Choosing a location for the heater.....9

Operating the heater 10

Storage and maintenance.....10

Troubleshooting.....11



CAREFULLY READ THIS GUIDE AND ALL SAFETY INFORMATION



ITEM NO.: TR6029 NG (SS - NG) ITEM NO.:
TR6026 NG (BLACK -NG)

TRADEX SUPPLY LTD.
MADE IN CHINA FOR TRADEX SUPPLY LTD. CALGARY,
ALBERTA, CANADA
info@branderbbq.com

WARNING & SAFETY RULES

PLEASE READ THE FOLLOWING SAFETY RULES
PRIOR TO OPERATION OF THE HEATER

For Your Safety

If you smell gas:

1. Shut off gas supply to the appliance.
2. Extinguish any open flame.
3. If odour continues, immediately call your gas supplier or your fire department.

For Your Safety

1. Do not store or use gasoline or other flammable vapors and liquids in the vicinity of this or any other appliance.
2. LP cylinders not connected for use shall not be stored in the vicinity of this or any other appliance.

WARNING: For Outdoor Use Only

WARNING:

Improper installation, adjustment, alteration, service or maintenance can cause injury or property damage. Read the installation, operating and maintenance instructions thoroughly before installing or servicing this equipment.

This appliance is an infrared transportable heater.

The burner is controlled and adjusted by the gas control knob.

Gas supply is controlled by the gas supply source. The burner is made of stainless steel. Heat diffusion is assisted by the reflector above.

Technical Specifications:

	NG
▪ Operating pressure:	7.0" W.C.
▪ Maximum output:	45,000 BTU/H
▪ Minimum output:	25,000 BTU/H

For Your Safety

1. If you smell gas:
 - a. Turn off gas supply at gas source.
 - b. Extinguish all open flame.
 - c. Proceed to a leak test, see bottom of page 4.
 - d. If you still smell gas, shut-off heater completely and gas valve at cylinder. Call the retailer where you purchased the heater or contact a gas appliance service centre or your gas supplier.
2. Never store or handle gas, or any other inflammable vapours or liquids in the vicinity of your patio heater or any gas appliance.

CAUTION

- Faulty installation, modifications, repairs or maintenance to this appliance may be the cause of injury or damage to property.
- Carefully read this user guide before assembling and preparing the heater.
- Keep this guide for future reference.

CAUTION

- DO NOT operate the heater in an explosive environment. Keep this appliance away from areas where gas is stored, or other vapours and flammable liquids are present.
- Before use, verify that no part of this heater is damaged and inspect gas hose.
- Never use the heater without the reflector installed.
- Respect minimum clearances from combustibles as seen in Figure 10.
- Always place heater on a level, stable and hard surface.
- NEVER move the heater while it is operating or still hot.
- This heater is to be used outdoors only.
- Never clean with abrasive, corrosive or flammable cleaners.
- Do not paint the heater or some of its parts.
- The gas sources must be turned-off at all times when heater is not in use.
- Children and adults should be made aware of hot surfaces on the heater.
- Clothing and other accessories or objects are not to be hung on the heater, laid on or near it to dry. Do not obstruct the ventilation opening (hand hole) on cylinder cover.
- Installation, maintenance and repair of this heater should always be performed by a qualified gas technician.

Leak Testing The Connections

When the heater is partially assembled (step F), perform a leak test on all connections and hose BEFORE lighting for the first time and after all repairs or maintenance on the heater. To test for leaks, mix equal parts water and soap in a spray bottle and apply to connections and hose. If there is a leak, bubbles will start to appear. Repeat leak test whenever maintenance or service is required.

NEVER LEAK TEST WITH AN OPEN FLAME, NOR SMOKE WHILE TESTING

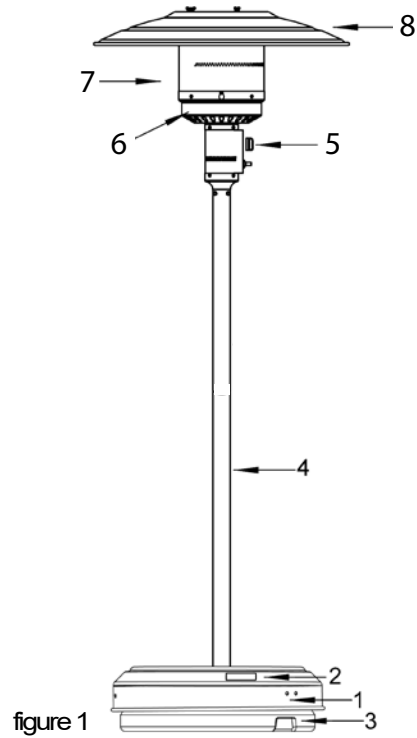
1. Ensure that heater gas control knob is fully closed by turning completely clockwise.
2. Open gas supply source.
3. Generously apply soapy solution to all connections and hoses.
4. If you detect bubbles, there is a leak. Turn-off gas supply source completely.
5. Re-tighten the leaking connection and repeat leak test process.

If the leak cannot be repaired permanently, close cylinder valve completely and contact the retail outlet where you purchased the heater, your gas supplier, a qualified gas technician, or the local fire department.

FOR YOUR SAFETY YOU SHOULD REGULARLY TEST FOR LEAKS

PARTS LIST

1. Base
2. Safety label
3. Weighted box
4. Pole
5. Gas control
6. Match access opening
7. Burner assembly
8. Reflector
9. Wheels (see page 9)



TOOLS AND EQUIPMENT REQUIRED

- 10 and 13 mm keys
- Adjustable wrench
- Philips screwdriver, medium blade
- Leak test solution: mix 50/50 water and soap

6 x Bolts M6 X 55



6 x Bolts M6



4 x Bolts M8 X 55



4 x Bolts M8



4 x Bolts M6 X 10



4 x Mechanical screws 3/16"



6 x Large steel washers

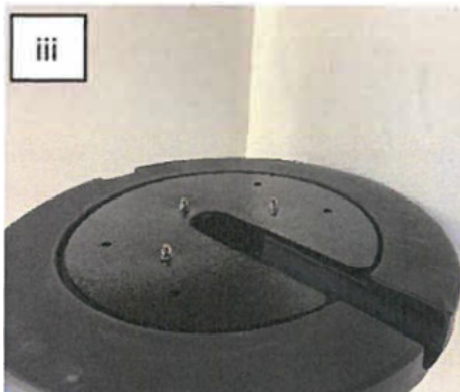
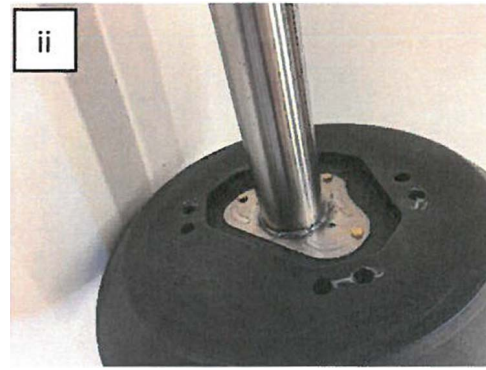
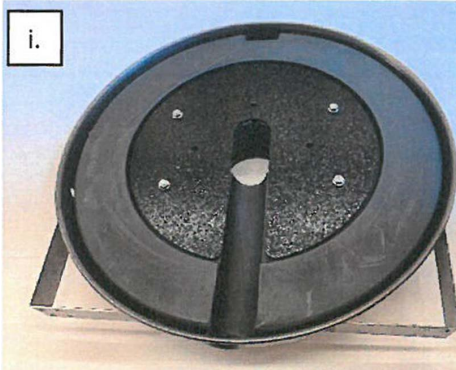


3 x Butterfly nut



ADDENDUM TO BRANDER PATIO HEATERS - TR6026NG, TR6029NG

Thank you for your purchase of the Brander Patio Heater. Prior to assembling this patio heater, please read through these additional in-depth instructions. This will improve the stability of your patio heater.



Prior to disassembling the base as detailed in step (A). Take note of the black plate that is attached to the bottom of your weighted base.

This plate will act as a washer for the nuts and will assist in increasing the stability of the pole.

Once the nuts and bolts are removed, ensure that this black plate remains in place.

Prior to attaching the post to the top of the weighted base (B). Ensure that the black plate is installed properly at the bottom of the base.

Once the pole is attached to the base with the three nuts and bolts provided, the bottom of the base should look like photo (iii). Ensure the bolts are not over tightened to the plate.

Once all seven nuts and bolts are properly installed, the bottom of your base with the washer should look like picture (iv). Ensure that bolts are snug, but not over tightened or it will warp the black plate.

ASSEMBLY INSTRUCTIONS

A. Disassemble the base. Unscrew 4pcs M8 bolts and 4pcs M8x55 bolts from weighted box and base (Figure 2).

Do not remove bottom black plate (please see page 6, Figure (i & ii) to identify black plate). This plate will act as a washer for the nuts and will assist in increasing the stability of the pole.



B. Place the post on the top of the weighted box, with black plate attached on bottom. Then connect them with 6pcs M6x55 bolts and 6pcs M6 bolts (Figure 3).

C. Attach the base over the post to the weighted box with 4pcs M8 bolts and 4pcs M8x55 bolts (Figure 4). Do not over-tighten the bolts, or **the black plate will warp underneath.**

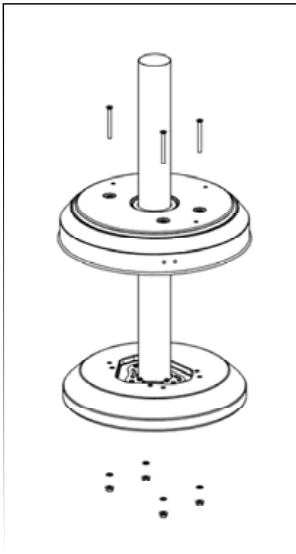


Figure 4

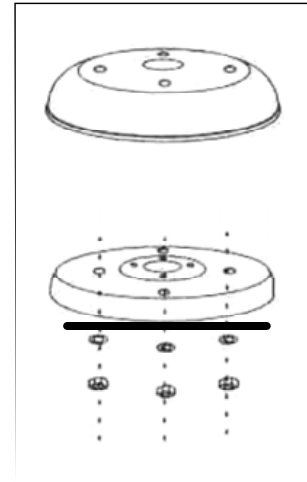


Figure 2

Black Plate

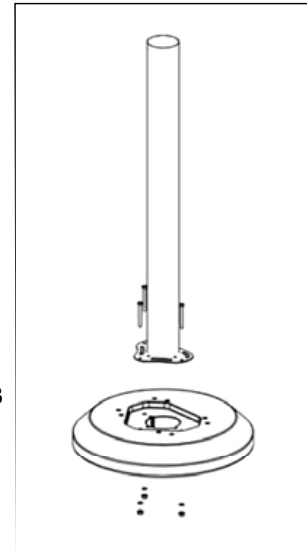


Figure 3

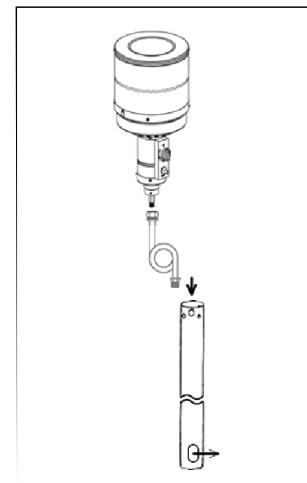


Figure 5

D. Attach natural gas hose (not included with heater) to heater head with a wrench. Leak-test connection. Run other end of hose down pole and out lower access hole (Figure 5).

E. Fasten heater head (with hose now attached and leak-tested) to the top of pole. Tighten securely using 4 pcs M6X10 (Figure 6). Do not remove any bolts.

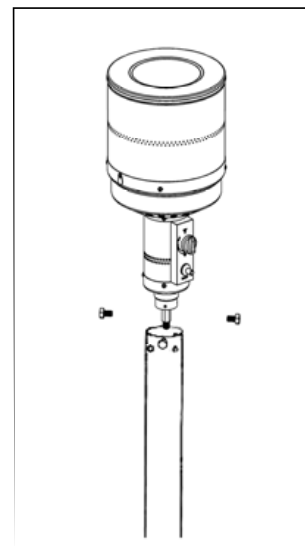


Figure 6

F.

****MANDATORY LEAK TEST REQUIRED** Refer to page 4, see header:
"LEAK TESTING THE CONNECTIONS"**

Proceed to test gas system as indicated on page 4. Make sure to test hose and all connections for leaks. Lift burner head and test hose connection to burner head.

G. Place burner head so control button is vertically aligned with the instructions label on the post. Place 1 steel washer over each of the 3 bolts (Figure 7). Install reflector over burner head through bolts. Place steel washers over each bolt (Figure 8). Secure reflector with wing nuts.

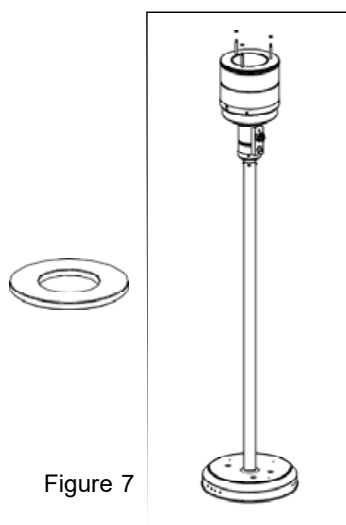


Figure 7

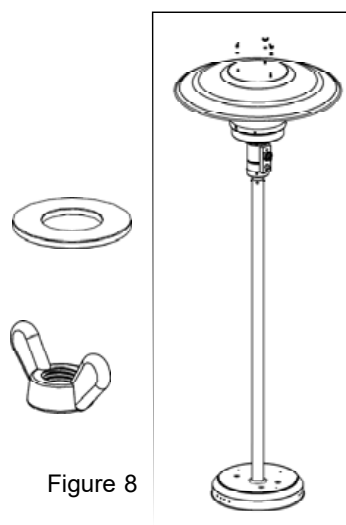


Figure 8

H. Installing Wheels

- (1) SCREW _____ 8 Pieces
- (2) NUT _____ 2 Pieces
- (3) WHEEL _____ 2 Pieces
- (4) BRACKET _____ 2 Pieces
- (5) BOLT _____ 2 Pieces
- (6) BASE _____ 1 Pieces
- (7) NUT _____ 8 Pieces

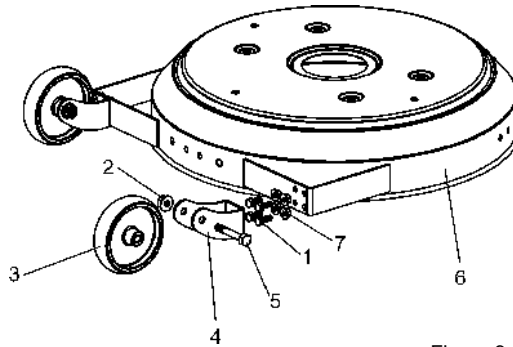


Figure 9

I. Choosing A Location For The Heater

Caution

When objects are left under a heater in operation, they will be subject to radiant heat and this could result in damage.

This heater is certified for outdoor use only.

- Provide fresh air ventilation at all times.
- Respect minimum clearances to combustibles as shown in Figure 10.
- Install heater on level, solid, and stable ground.
- Do not install in an explosive environment. Keep away from areas where gas, vapours, or flammable liquids are stored or used.
- In case of high winds, shut off the heater and gas supply. Remove reflector and store the heater.
- Do not move the heater when hot.

J. CLEARANCES FROM COMBUSTIBLES

Respect clearances as shown:

- Sides of reflector: 24 inches (61CM)
- Above reflector: 18 inches (46 CM)

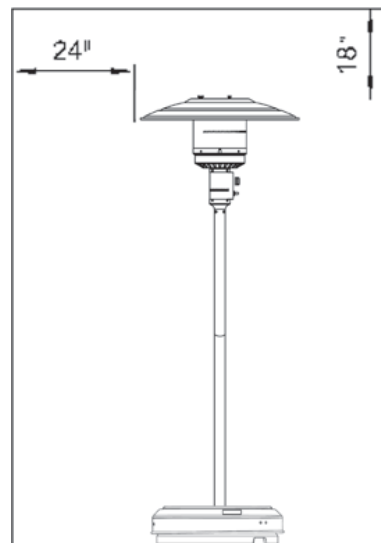



Figure 10

Operating The Heater

1. Ensure control knob on heater is in the OFF position.
2. Open valve for fuel supply.
3. Turn control knob to  position. Press igniter button multiple times to light burner. When burner is lit, continue to press and hold down control knob for 30 seconds. This engages the thermocouple. If burner does not light, release control knob and turn it clockwise to the OFF position. Wait 5 minutes. Repeat steps 2 to 3.
4. If igniter does not work properly, you may light heater manually by inserting a match through the opening at base of burner (6), as shown in figure 1.
5. Turn control knob counter clockwise to adjust flame to desired temperature for comfort

To Turn Off

1. Turn control knob fully clockwise.
2. Turn off gas supply at source.
3. If heater is not used for long periods, remove from gas source.

Preventative Care and Maintenance

To ensure long-lasting enjoyment of your Patio Heater, the burner should be inspected regularly for debris such as insects and spider webs.

Have Heater Inspected If

- You smell gas combined with yellow flame tips on burner
- Heater does not provide expected heat capacity
- Abnormal sounds occur during operation

Also...

- Periodically check for leaks in the system or immediately when you smell gas.
- In case a leak is detected, extinguish all open flames in the area.
- Never leak test while smoking or with an open flame.
- If you cannot repair a leak, ensure gas supply is turned OFF and contact the retailer where you purchased the heater, a qualified technician, or your gas supplier.
- Do not modify this heater in any way.
- Replacement parts must only be with original parts.
- The installation of this appliance should be performed by a certified gas technician in conformity with all building and municipal codes.

Trouble Shooting:

Problem	Possible Cause	Solution
Burner won't light	Blockage in orifice	Clean or replace orifice
	Air in gas line	Burner may take 1-8 minutes to light after natural gas has been connected.
	Thermocouple has carbon build-up on it	Clean thermocouple tip.
	Igniter fails	Use match to light the burner. Obtain new lighter and replace.
	Heater control knob not fully depressed	Depress heater control knob firmly in lighting position.
	Gas pressure is low	Check gas supply.
	Blockage in orifice	Clear blockage
	Control knob is not in ON Position	Turn control knob to ON
Flame won't light	Gas pressure is low	Check connection to gas supply.
	Blockage in orifice	Clear blockage
	Control knob is not in ON position	Turn control knob to ON
Burner flame is low Note: Do NOT operate heater below -18C	Supply hose is bent or kinked	Straighten hose
	Control knob is fully ON	Check burner and orifice for blockage
Carbon build-up	Dirt or film on reflector and emitter	Remove blockage and clean burner inside and outside.
Thick black smoke from burner of light	Blockage in burner or in light gas passages	Remove blockage and clean burner inside and outside.

Warranty:

1 Year Manufacturer's Warranty

- Only applicable on manufacturer's defects
- Only applicable to parts
- Does not include labour
- Please contact retailer you purchased your heater from and provide receipt