



PATIO INFRARED HEATER

THIS APPLIANCE IS CERTIFIED FOR OUTDOOR USE ONLY

USER INSTALLATION AND OPERATION GUIDE

INDEX

General and specifications	2
Safety and caution	2-4
Tool and accessory requirements.....	5
Assembly instructions.....	6
Leak testing the connections	7
Choosing a location for the heater.....	8
Operating the heater	9
Storage and maintenance.....	9
Troubleshooting.....	10



CAREFULLY READ THIS GUIDE AND ALL SAFETY INFORMATION



ITEM NO.: TR6022 LP (SS - LP) ITEM NO.:
TR6025 LP (BLACK -LP)

TRADEX SUPPLY LTD.
MADE IN CHINA FOR TRADEX SUPPLY LTD.
CALGARY, ALBERTA, CANADA
info@branderbbq.com

WARNING & SAFETY RULES

PLEASE READ THE FOLLOWING SAFETY RULES
PRIOR TO OPERATION OF THE HEATER

For Your Safety

If you smell gas:

1. Shut off gas supply to the appliance.
2. Extinguish any open flame.
3. If odour continues, immediately call your gas supplier or your fire department.

For Your Safety

1. Do not store or use gasoline or other flammable vapors and liquids in the vicinity of this or any other appliance.
2. LP cylinders not connected for use shall not be stored in the vicinity of this or any other appliance.

WARNING: For Outdoor Use Only

WARNING:

Improper installation, adjustment, alteration, service or maintenance can cause injury or property damage. Read the installation, operating and maintenance instructions thoroughly before installing or servicing this equipment.

This appliance is an infrared transportable heater.
The burner is controlled and adjusted by the gas control knob.
Gas supply is controlled by the gas supply source. The burner is made of stainless steel. Heat diffusion is assisted by the reflector above.

Technical specifications:

	LP
Operating pressure:	11" W.C.
Maximum output:	45,000 BTU/H
Minimum output:	25,000 BTU/H

For Your Safety

1. If you smell gas:
 - a. Turn off gas supply at valve on gas cylinder or from gas source.
 - b. Extinguish all open flame.
 - c. Proceed to a leak test, see bottom of page 4.
 - d. If you still smell gas, shut-off heater completely and gas valve at cylinder. Call the retailer where you purchased the heater or contact a gas appliance service centre or your gas supplier.
2. Never store or handle gas, or any other inflammable vapours or liquids in the vicinity of your patio heater or any gas appliance.

CAUTION

- Faulty installation, modifications, repairs or maintenance to this appliance may be the cause of injury or damage to property.
- Carefully read this user guide before assembling and preparing the heater.
- Keep this guide for future reference.

CAUTION

- DO NOT operate the heater in an explosive environment. Keep this appliance away from areas where gas is stored, or other vapours and flammable liquids are present.
- Before use, verify that no part of this heater is damaged and inspect gas hose.
- Never use the heater without the reflector installed.
- Respect minimum clearances from combustibles as seen in Figure 10.
- Always place heater on a level, stable and hard surface.
- NEVER move the heater while it is operating or still hot.
- This heater is to be used outdoors only.
- Never clean with abrasive, corrosive or flammable cleaners.
- Do not paint the heater or some of its parts.
- The gas sources must be turned-off at all times when heater is not in use.
- Children and adults should be made aware of hot surfaces on the heater.
- Clothing and other accessories or objects are not to be hung on the heater, laid on or near it to dry. Do not obstruct the ventilation opening (hand hole) on cylinder cover.
- Installation, maintenance and repair of this heater should always be performed by a qualified gas technician.

Leak Testing The Connections

When the heater is partially assembled (step F), perform a leak test on all connections and hose BEFORE lighting for the first time and after all repairs or maintenance on the heater. To test for leaks, mix equal parts water and soap in a spray bottle and apply to connections and hose. If there is a leak, bubbles will start to appear. Repeat leak test whenever maintenance or service is required.

NEVER LEAK TEST WITH AN OPEN FLAME, NOR SMOKE WHILE TESTING

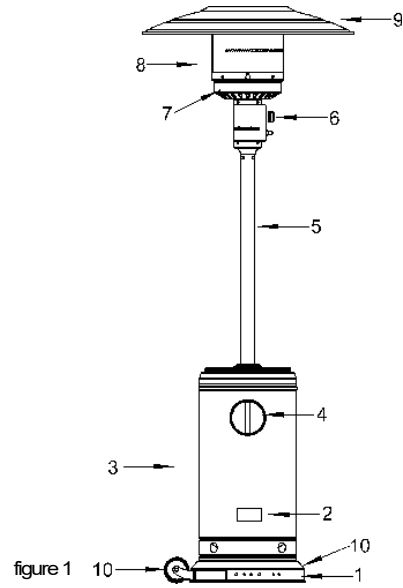
1. Ensure that heater gas control knob is fully closed by turning completely clockwise.
2. Open propane cylinder valve or gas supply source.
3. Generously apply soapy solution to all connections and hoses.
4. If you detect bubbles, there is a leak. Turn-off gas supply source completely.
5. Re-tighten the leaking connection and repeat leak test process.

If the leak cannot be repaired permanently, close cylinder valve completely and contact the retail outlet where you purchased the heater, your gas supplier, a qualified gas technician, or the local fire department.

FOR YOUR SAFETY YOU SHOULD REGULARLY TEST FOR LEAKS

PARTS LIST

1. Base
2. Safety label
3. Tank cover
4. Ventilation opening
5. Post
6. Gas control
7. Match access opening
8. Burner assembly
9. Reflector
10. Wheels



TOOLS AND EQUIPMENT REQUIRED

- 10 and 13 mm keys
- Adjustable wrench
- Philips screwdriver, medium blade
- Leak test solution:mix 50/50 water and soap
- 1 propane tank (not supplied) with QCC1 regulator

6 x Bolts M6 X 35



6 x Nuts M6



3 x Bolts M8 X 15



4 x Mechanical screws 3/16"



6 x Large steel washers



3 x Butterfly nut

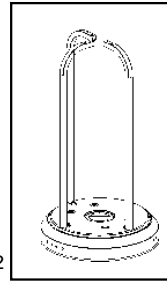


ASSEMBLY INSTRUCTIONS

A. Fasten post to the vertical supports with 3 M8 nuts (Figure 2).



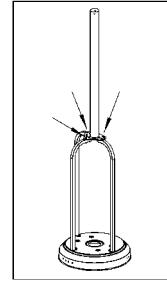
Figure 2



B. Install post with 6 M6X35 bolts and 6 nuts M6 (Figure 3).

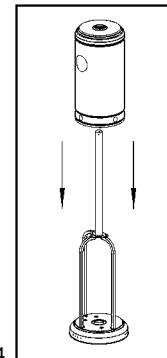


Figure 3



C. Slide bottle cover over post (Figure 4).

figure 4



D.

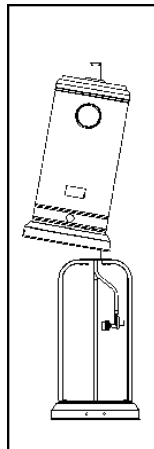


figure 5

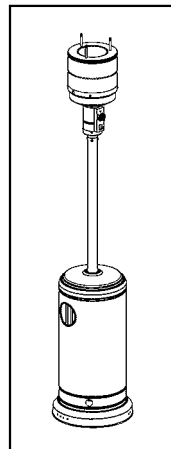


figure 6

1. Insert gas hose through bottom of post, pull out from top and connect the hose to burner head.

DO NOT USE THREAD SEALER ON THREADS.

2. Rest burner head on top of post (Figure 6).

Do not fasten to post at this time.

E.
Lift propane tank cover as in Figure 7. Place gas tank on base and connect the QCC1 gas regulator connection to tank valve (Figure 8). Connect by turning knob clockwise. Do not use a tool, firmly hand-tighten only. Replace cylinder cover.

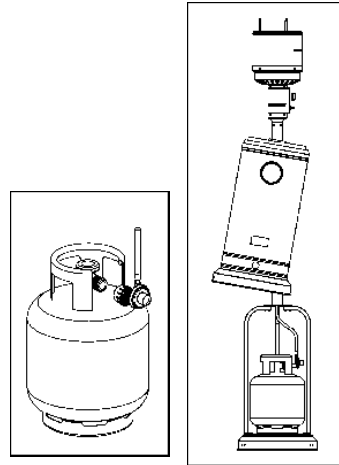


Figure 7

F. ****MANDATORY LEAK TEST REQUIRED****
 Refer to page 4, see header:
 “LEAK TESTING THE CONNECTIONS”

Proceed to test gas system as indicated on page 4. Make sure to test hose and all connections for leaks. Lift burner head and test hose connection to burner head.

G. Now fasten burner head with the 4 3/16” mm Philips mechanical screws supplied (Figure 8). Place burner head so control button is aligned vertically with the instructions label on post. Place 1 steel washer over all 3 bolts (Figure 9). Install reflector over burner head through bolts. Place steel washers over all bolts (Figure 10). Secure reflector with wing nuts.

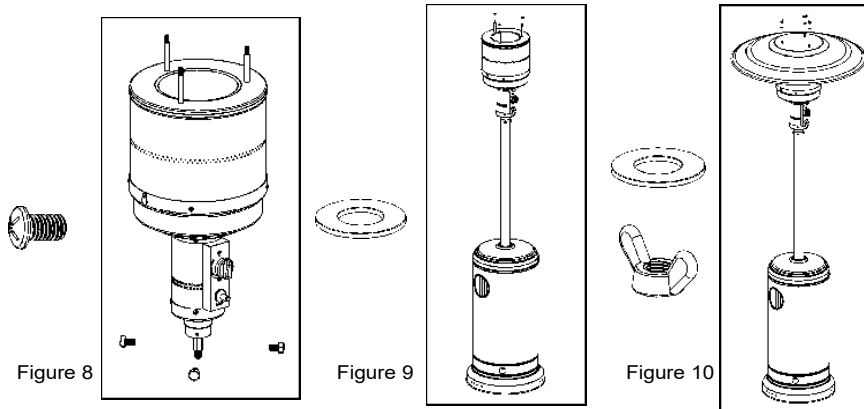


Figure 8

Figure 9

Figure 10

H. Installing Wheels

- (1) SCREW _____ 8 Pieces
- (2) NUT _____ 2 Pieces
- (3) WHEEL _____ 2 Pieces
- (4) BRACKET _____ 2 Pieces
- (5) BOLT _____ 2 Pieces
- (6) BASE _____ 1 Pieces
- (7) NUT _____ 8 Pieces

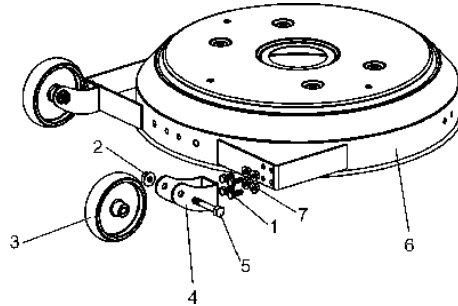


Figure 11

I. Choosing A Location For The Heater

Caution

When objects are left under a heater in operation, they will be subject to radiant heat and this could result in damage.

This heater is certified for outdoor use only.

- Provide fresh air ventilation at all times.
- Respect minimum clearances to combustibles as shown in Figure 10.
- Install heater on level, solid, and stable ground.
- Do not install in an explosive environment. Keep away from areas where gas, vapours, or flammable liquids are stored or used.
- In case of high winds, shut off the heater and gas valve. Remove reflector and store the heater.
- Do not move the heater when hot.

J. CLEARANCES FROM COMBUSTIBLES

Respect clearances as shown:

- Above reflector: 18 inches (45 CM)
- Sides of reflector: 24 inches (61CM)

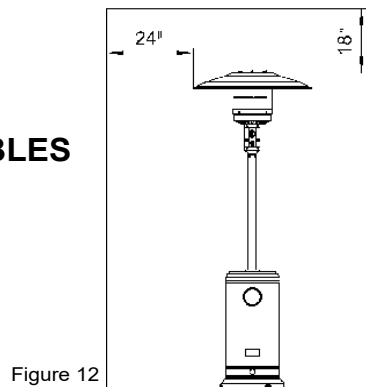



Figure 12

Operating The Heater

1. Ensure control knob on heater is in the OFF position.
2. Open propane cylinder valve.
3. Turn control knob to  position.
4. Press and hold electronic igniter button to light burner. When burner is lit, continue to press and hold down control knob for 30 seconds. If burner does not light, release control knob and turn it clockwise to the OFF position. Wait 5 minutes. Repeat steps 2 to 3. If igniter does not work properly, you may light heater manually by inserting a match through the opening at base of burner (7), as shown in Figure 1.
5. Turn control knob counter clockwise to adjust flame to desired temperature for comfort.

To Turn Off

1. Turn control knob fully clockwise.
2. Close gas cylinder valve by turning fully clockwise.
3. If heater is not used for long periods, disconnect the gas tank.

Storage

When heater is not in use for a prolonged period of time, remove gas cylinder. Verify that the gas valve is fully and tightly closed. Do not store the gas cylinder indoors. Store gas cylinder in a well-ventilated area.

Preventative Care and Maintenance

To ensure long-lasting enjoyment of your Patio Heater, the burner should be inspected regularly for debris such as insects and spider webs.

Have Heater Inspected If

- You smell gas combined with yellow flame tips on burner
- Heater does not provide expected heat capacity
- Abnormal sounds occur during operation

Also...

- Periodically check for leaks in the system or immediately when you smell gas.
- In case a leak is detected, extinguish all open flames in the area.
- Never leak test while smoking or with an open flame.
- If you cannot repair a leak, ensure gas supply is turned OFF and contact the retailer where you purchased the heater, a qualified technician, or your gas supplier.
- Do not modify this heater in any way.
- Replacement parts must only be with original parts.
- The installation of this appliance should be performed by a certified gas technician in conformity with all building and municipal codes.

Trouble Shooting:

Problem	Possible Cause	Solution
Burner won't light	Blockage in orifice	Clean or replace orifice
	Air in gas line	Burner may take 1-8 minutes to light after natural gas has been connected.
	Thermocouple has carbon build-up on it	Clean thermocouple tip.
	Igniter fails	Use match to light the burner. Obtain new lighter and replace.
	Heater control knob not fully depressed	Depress heater control knob firmly in lighting position.
	Gas pressure is low	Check gas supply.
	Blockage in orifice	Clear blockage
	Control knob is not in ON Position	Turn control knob to ON
Flame won't light	Gas pressure is low	Turn cylinder valve OFF and check connection to gas supply.
	Blockage in orifice	Clear blockage
	Control knob is not in ON position	Turn control knob to ON
Burner flame is low Note: Do NOT operate heater below -18C	Supply hose is bent or kinked	Straighten hose
	Control knob is fully ON	Check burner and orifice for blockage
Carbon build-up	Dirt or film on reflector and emitter	Remove blockage and clean burner inside and outside.
Thick black smoke from burner of light	Blockage in burner or in light gas passages	Remove blockage and clean burner inside and outside.

Warranty:

1 Year Manufacturer's Warranty

- Only applicable on manufacturer's defects
- Only applicable to parts
- Does not include labour
- Please contact retailer you purchased your heater from and provide receipt