

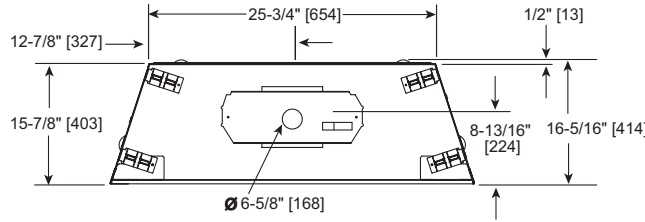
MAJESTIC

Please consult the manufacturer's installation manual for all details and requirements before making a final design layout decision.

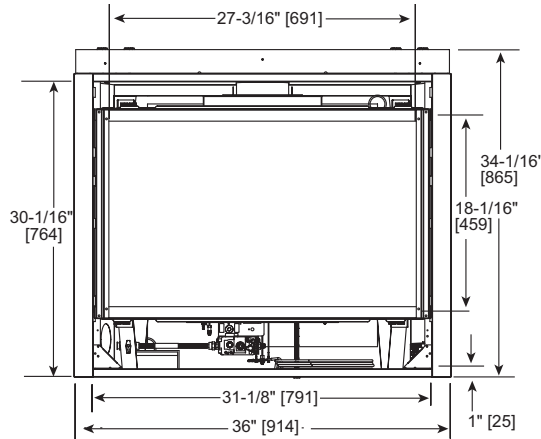
QUARTZ 32
Direct Vent Gas Fireplace

MODEL	HEIGHT		FRONT WIDTH		BACK WIDTH		DEPTH		GLASS SIZE
	Actual	Framing	Actual	Framing	Actual	Framing	Actual	Framing	
QUARTZ32	34-3/8" [873]	34-3/4" [882]	36" [913]	37" [940]	25-3/4" [653]	37" [940]	16-5/16" [415]	16-1/4" [413]	27-3/16" x 18-1/16" [691 X 459]

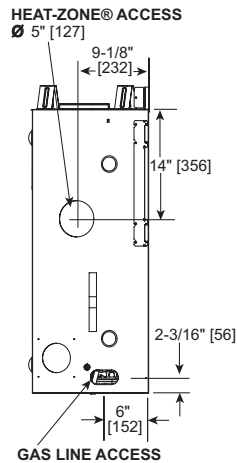
TOP VIEW



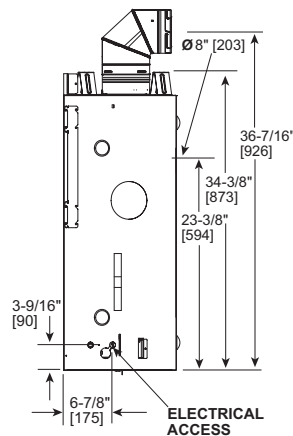
FRONT VIEW



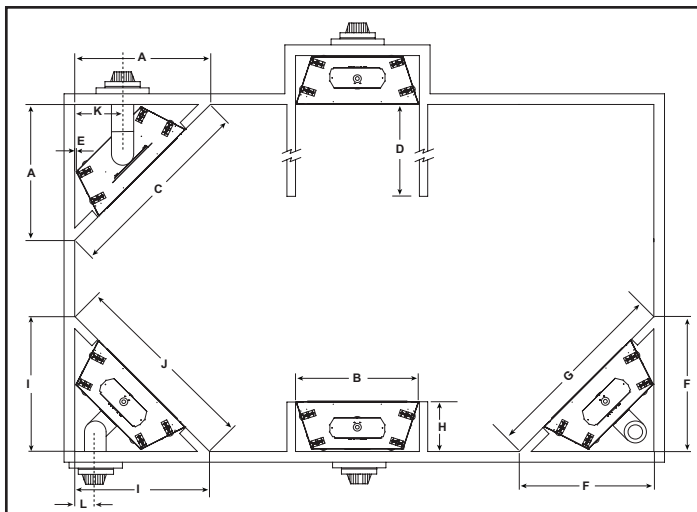
LEFT SIDE



RIGHT SIDE

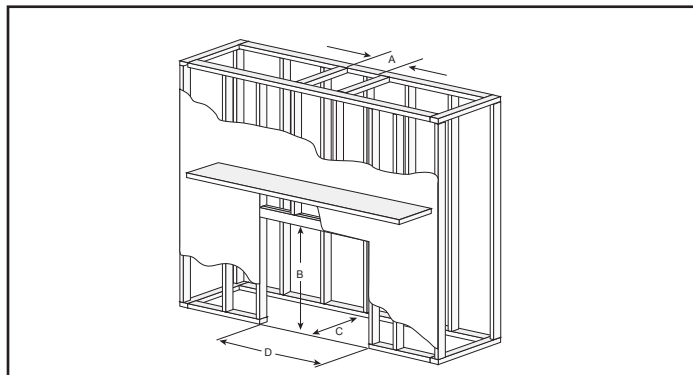


APPLIANCE LOCATION



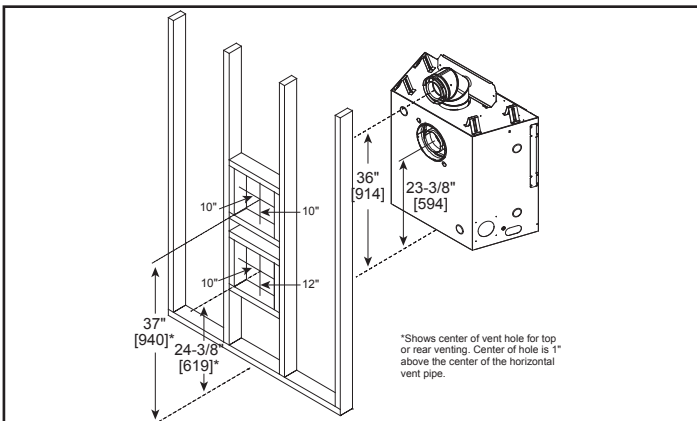
A	B	C	E	F	G	H	I	J	K	L
42" [1067]	37" [940]	59-1/2" [1511]	1/2" [13]	44" [1118]	62-1/4" [1581]	16-1/4" [413]	48-1/2" [1232]	68-3/4" [1746]	15-1/16" [383]	7-1/2" [191]

FRAMING DIMENSIONS

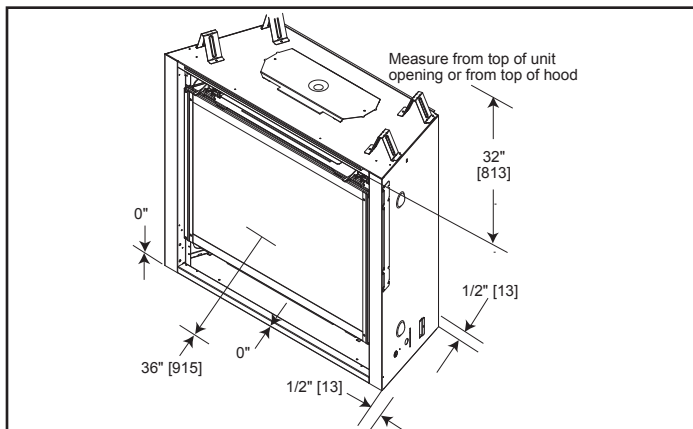


A Rough Opening (Width)		B Rough Opening (Height)	C Rough Opening (Depth)		D Rough Opening (Width)
DVP pipe	SLP pipe		DVP pipe	SLP pipe	
10" [254]	8-5/8" [219]	34-3/4" [882]	16-1/4" [413]	16-1/4" [413]	37" [940]

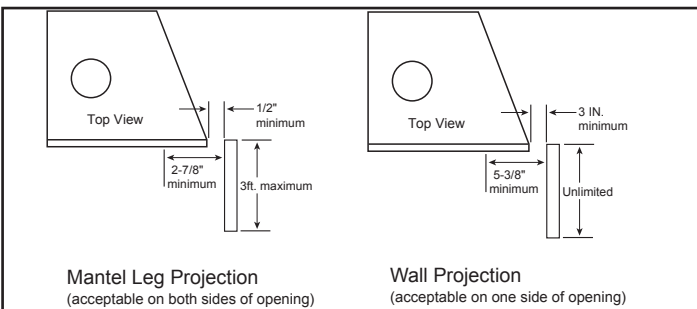
WALL PENETRATION



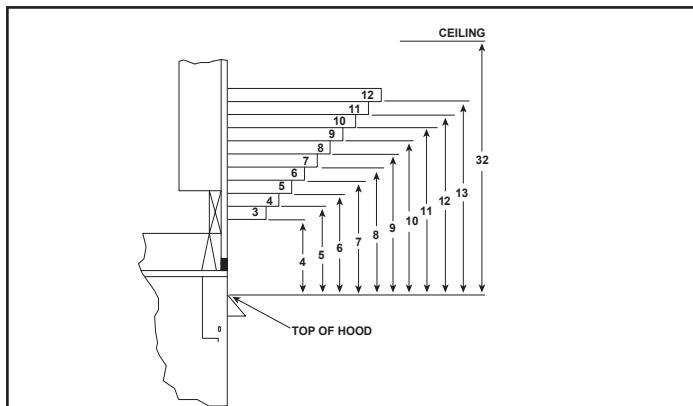
CLEARANCES TO COMBUSTIBLES



MANTEL LEG/WALL PROJECTIONS



MANTEL PROJECTIONS



PRODUCT LISTING CODES	
US	ANSI Z21.88-2014
CAN	CSA 2.33-2014

Product information provided is not complete and is subject to change without notice. Product installation must adhere strictly to instructions accompanying product to avoid risk of fire and potential injury.

Additional information can be found online at www.majesticproducts.com

MAJESTIC

Lakeville, MN Phone: (800) 927-6841
Web: www.majesticproducts.com



MAJ/QUARTZ_QUARTZ32_0716