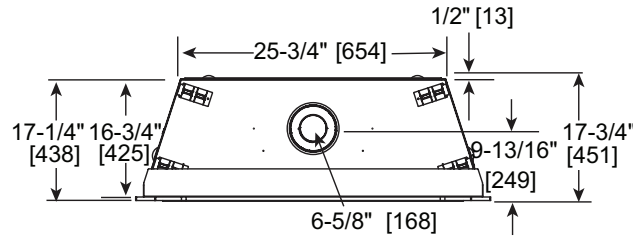


**MAJESTIC**

Please consult the manufacturer's installation manual for all details and requirements before making a final design layout decision.

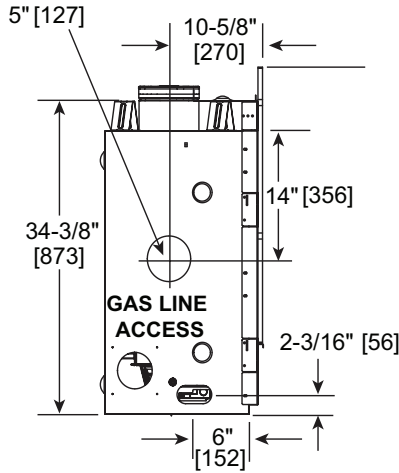
**JADE 32**  
Direct Vent Gas Fireplace

MODEL	FRONT WIDTH		BACK WIDTH		HEIGHT		DEPTH		GLASS SIZE 27-1/4" x 15-1/4" (692 x 387)
	Actual	Framing	Actual	Framing	Actual	Framing	Actual	Framing	
JADE32IN JADE32IL	36" (914)	37"* (940)	25-3/4" (654)	37" (940)	38-1/16" (967)	36-1/2" (927)	17-1/4" (438)	17-3/4" (451)	

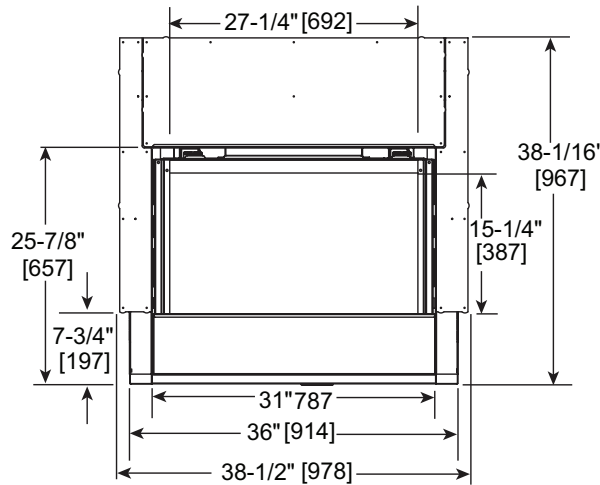


**TOP VIEW**

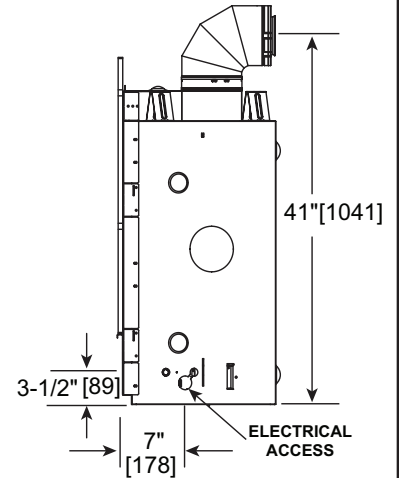
**HEAT-MANAGEMENT ACCESS**



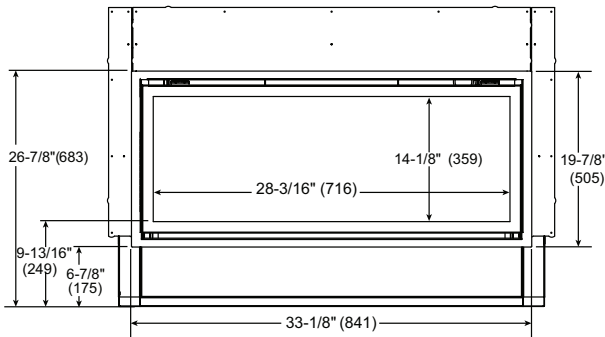
**LEFT SIDE VIEW**



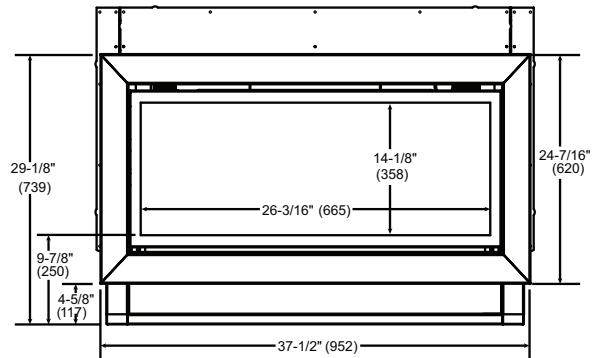
**FRONT VIEW**



**RIGHT SIDE VIEW**



**CLEAN FACE TRIM**



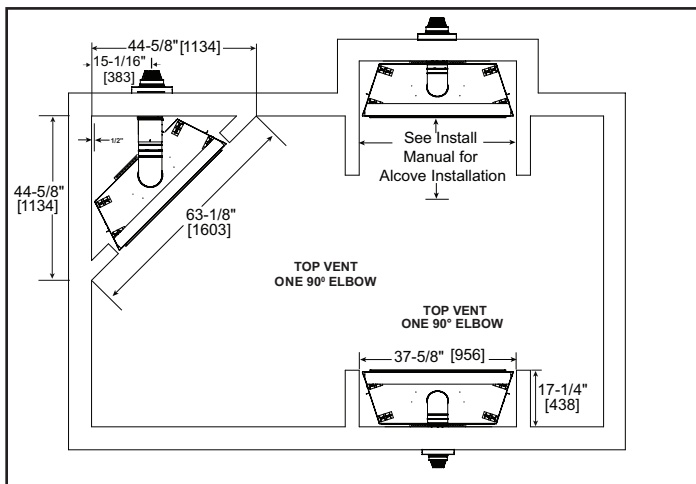
**PICTURE FRAME FRONT**

\*Add 12" minimum for the addition of a heat management solution to each side of the unit where placing them.

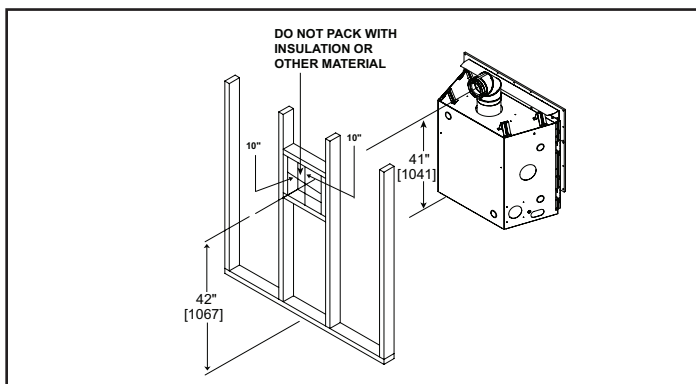
**MINIMUM FIREPLACE CLEARANCES**

AREA	TO COMBUSTIBLES (in inches)
CLEARANCE TO CEILING	31" (787)
COMBUSTIBLE/NON-COMBUSTIBLE FLOOR	0" (0)
BEHIND OF APPLIANCE	1/2" (0)
SIDES OF APPLIANCE	1/2" (13)
FRONT OF APPLIANCE	36" (914)

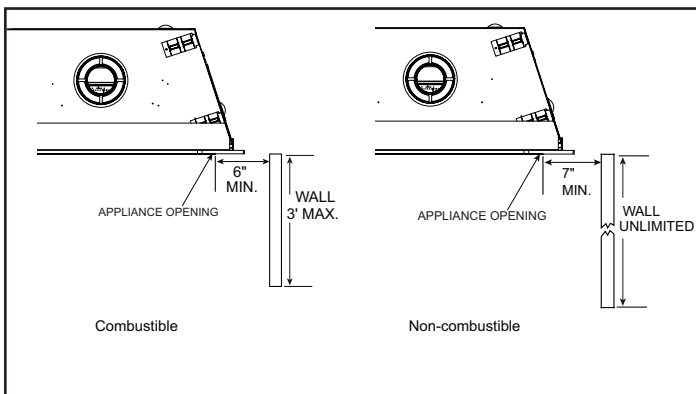
**APPLIANCE LOCATION**



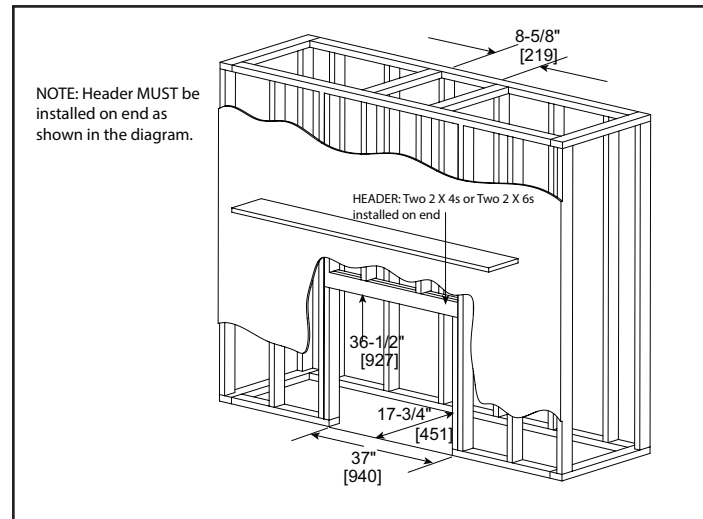
**WALL PENETRATION**



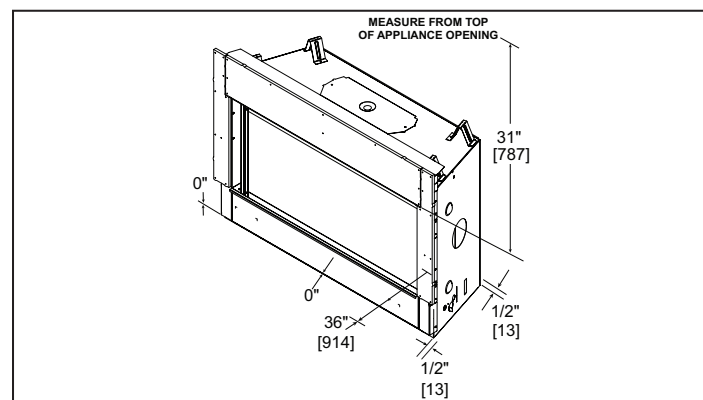
**MANTLE LEG/WALL PROJECTIONS**



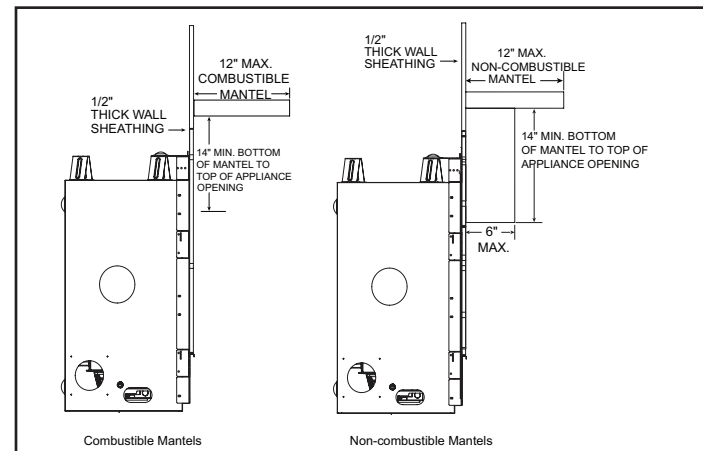
**FRAMING DIMENSIONS**



**CLEARANCES TO COMBUSTIBLES**



**MANTLE PROJECTIONS**



PRODUCT LISTING CODES	
US	ANSI Z21.88-2017
CAN	CSA 2.33-2017
US LISTED	UL307B

Product information provided is not complete and is subject to change without notice. Product installation must adhere strictly to instructions accompanying product to avoid risk of fire and potential injury.

Additional information can be found online at [www.majesticproducts.com](http://www.majesticproducts.com)