

Broil King®

ASSEMBLY MANUAL & PARTS LIST • MANUEL DE MONTAGE & LISTE DE PIÈCES • MANUAL DE ARMADO Y LISTA DE PARTES



Broil King®
9221-54
9221-57
9221-64
9221-67



Broil King®
9225-54
9225-57
9225-64
9225-67

RETAIN FOR FUTURE REFERENCE • VEUILLEZ CONSERVER POUR REFERENCE ULTERIEURE • CONSERVER PARA FUTURAS CONSULTAS

ASSEMBLY VIDEO

VIDÉO MONTRANT
L'ASSEMBLAGE

VIDEO DE
ENSAMBLAJE



BROILKINGBBQ.COM

Onward
MANUFACTURING COMPANY
SINCE 1906
1000 EAST MARKET STREET
HUNTINGTON, INDIANA, 46750, USA

1-800-265-2150
info@omcbbq.com

50084-S45 Rev M 05/15



HARDWARE INCLUDED / MATERIAL INCLUS / EQUIPOS INCLUIDO



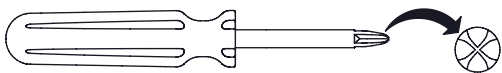
Y-12865		X26	S21125		X8
Y-11565			X4		
Y-29310		X4	Y-12310		X4
S21255		X2	Y-12857		X4
			Y-11546		X2
Y-11795		X2	Y-12127		X2
S35094		X1	Y-29304		X2
S21235		X2	S21233		X2



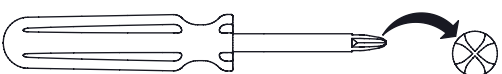
TOOLS REQUIRED / OUTILS NECESSAIRES / HERRAMIENTAS NECESARIAS



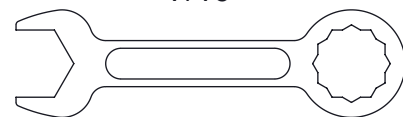
#3 PHILLIPS



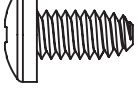
#2 PHILLIPS

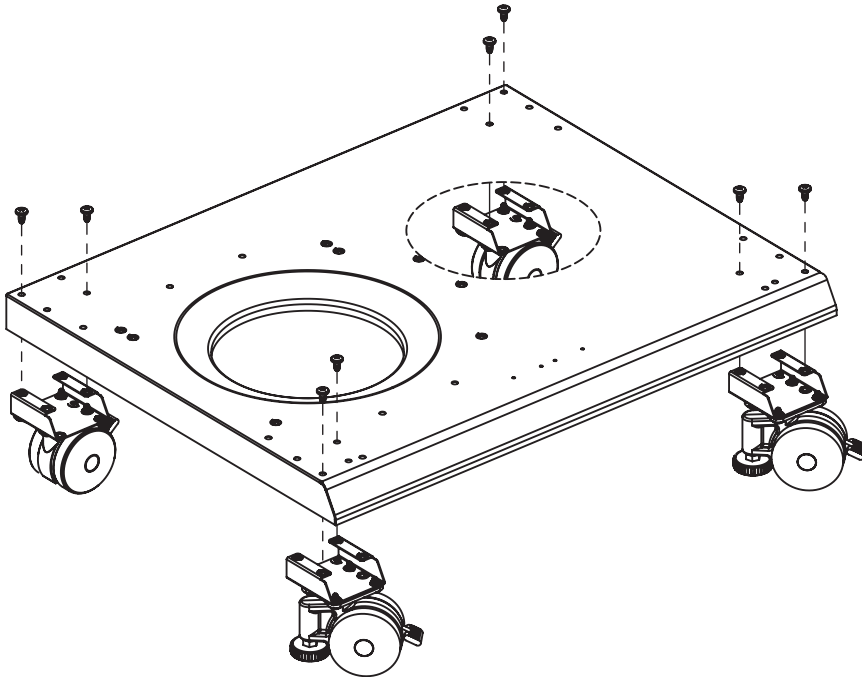


7/16"

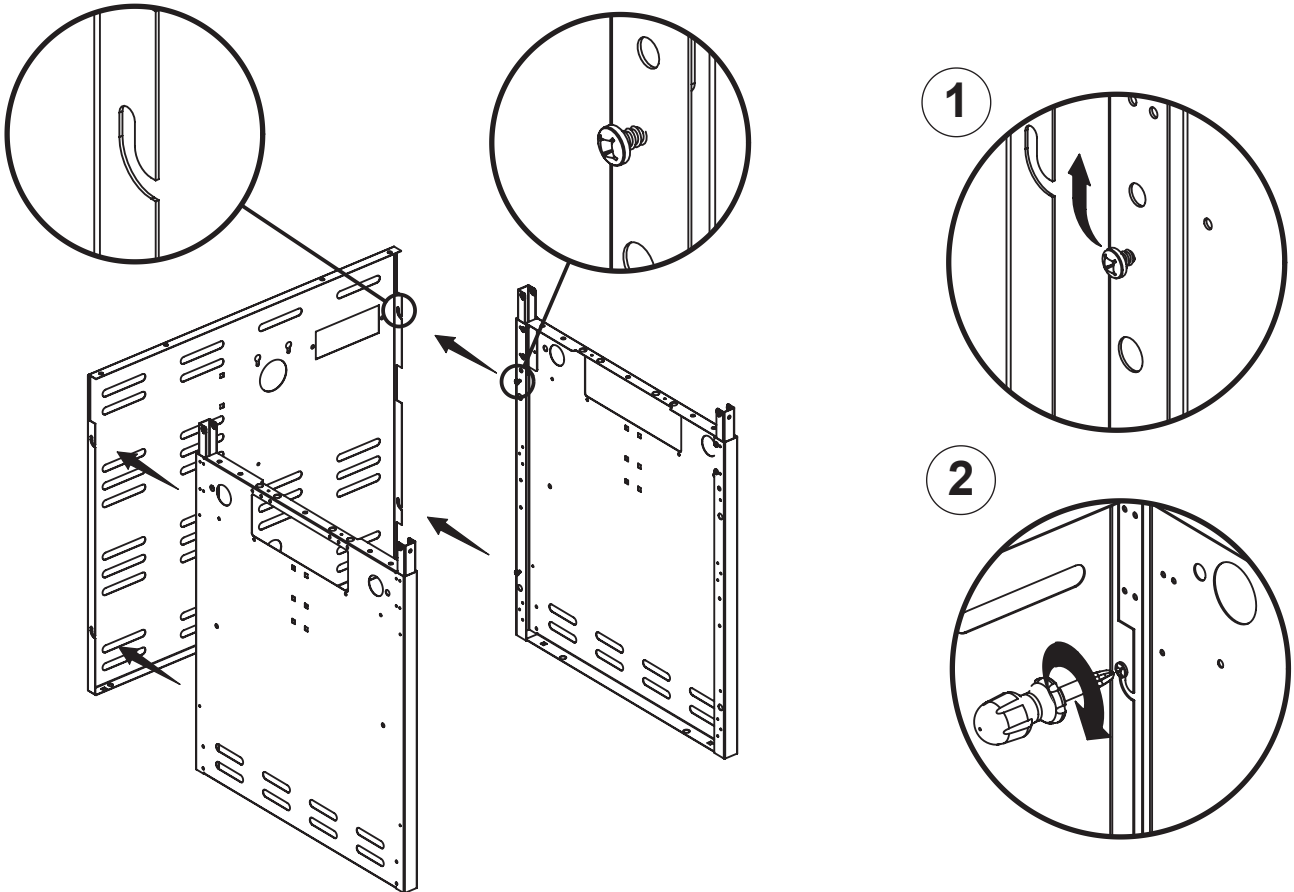


1

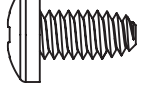
(8) 

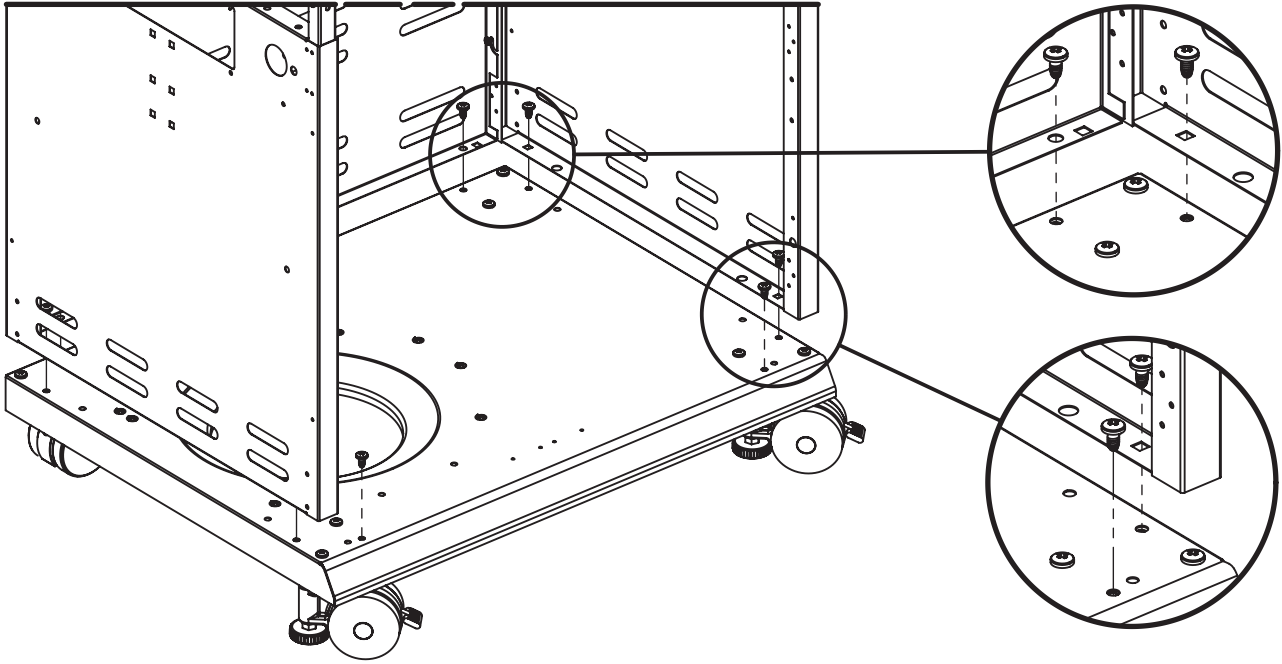


2



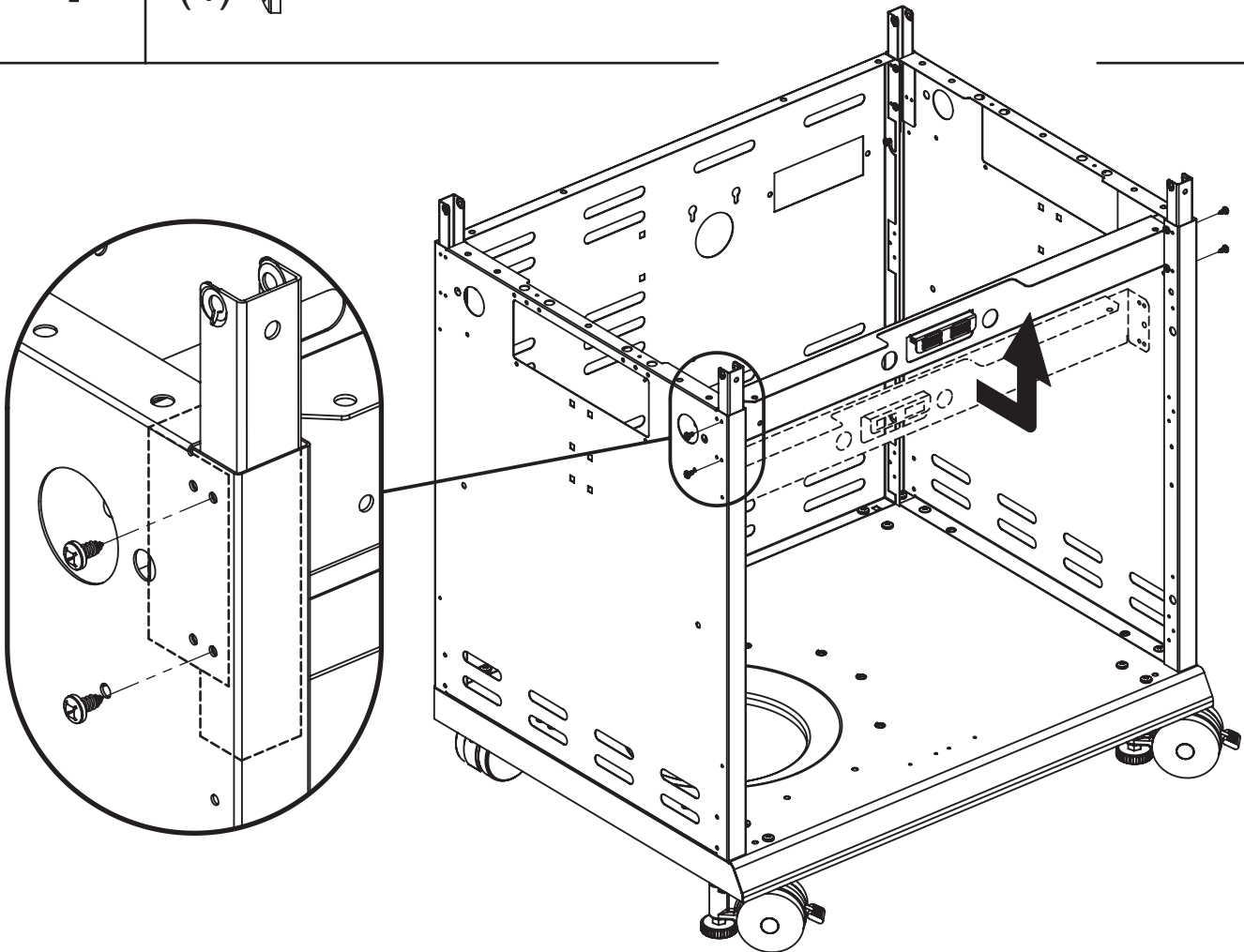
3

(8) 




4

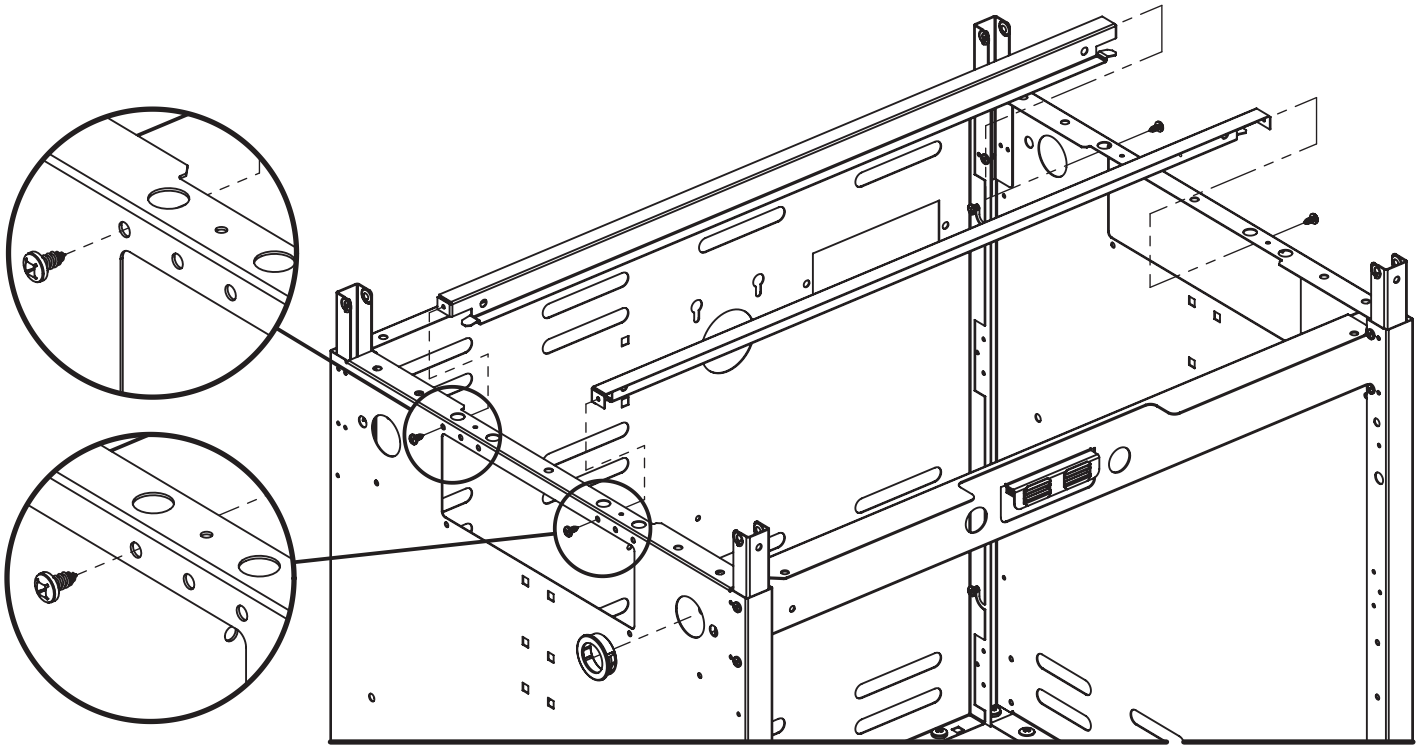
(4) 



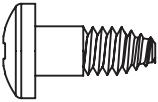
5

(4) 

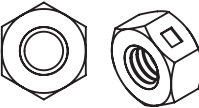
(1) 

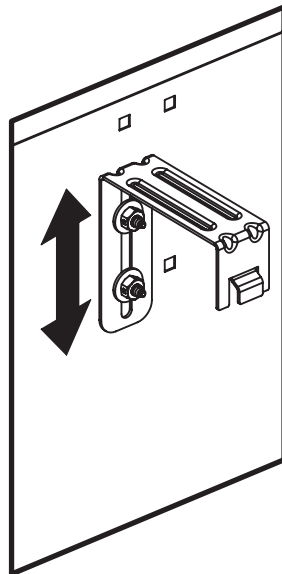
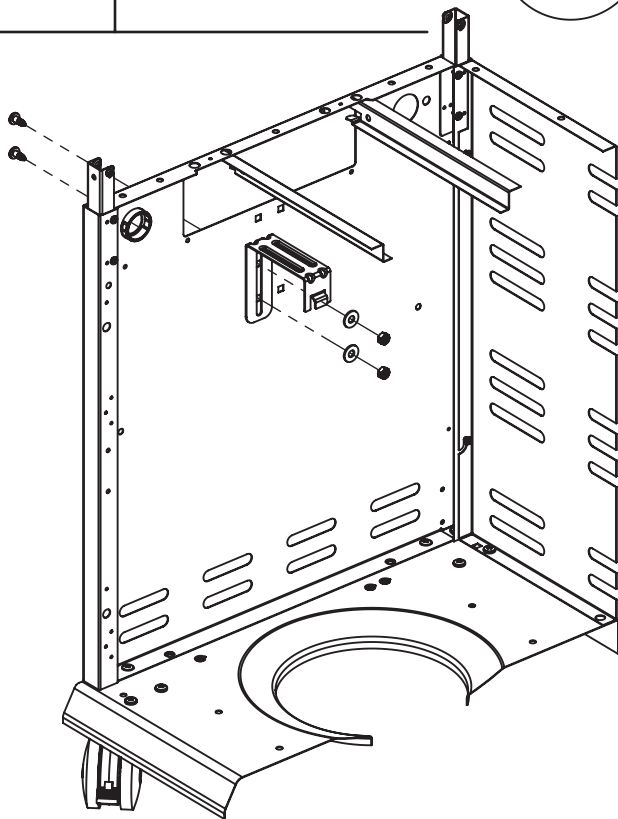


6

(2) 

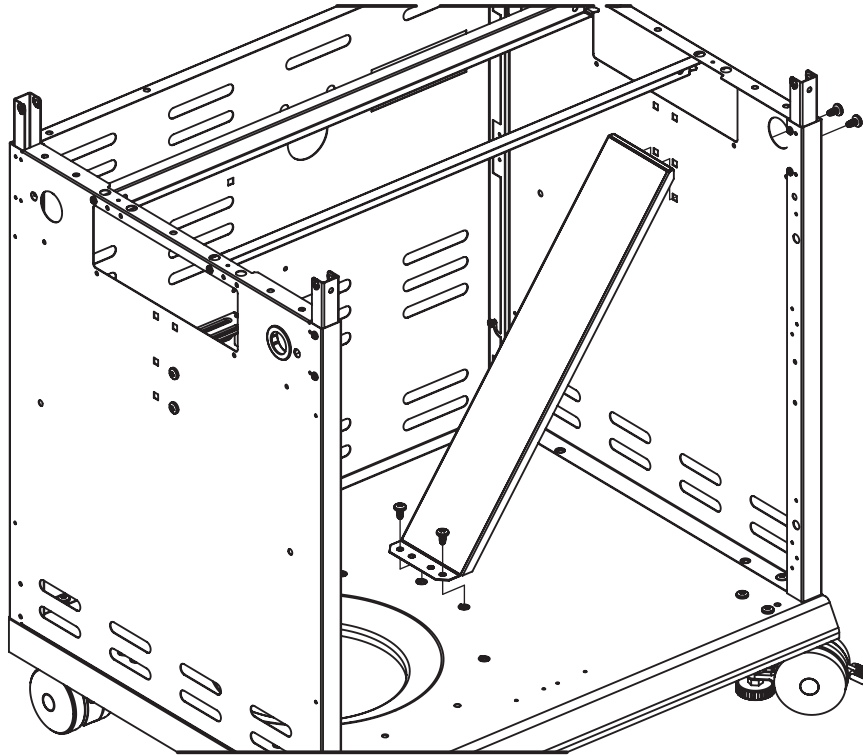
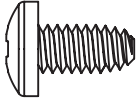
(2) 

(2) 

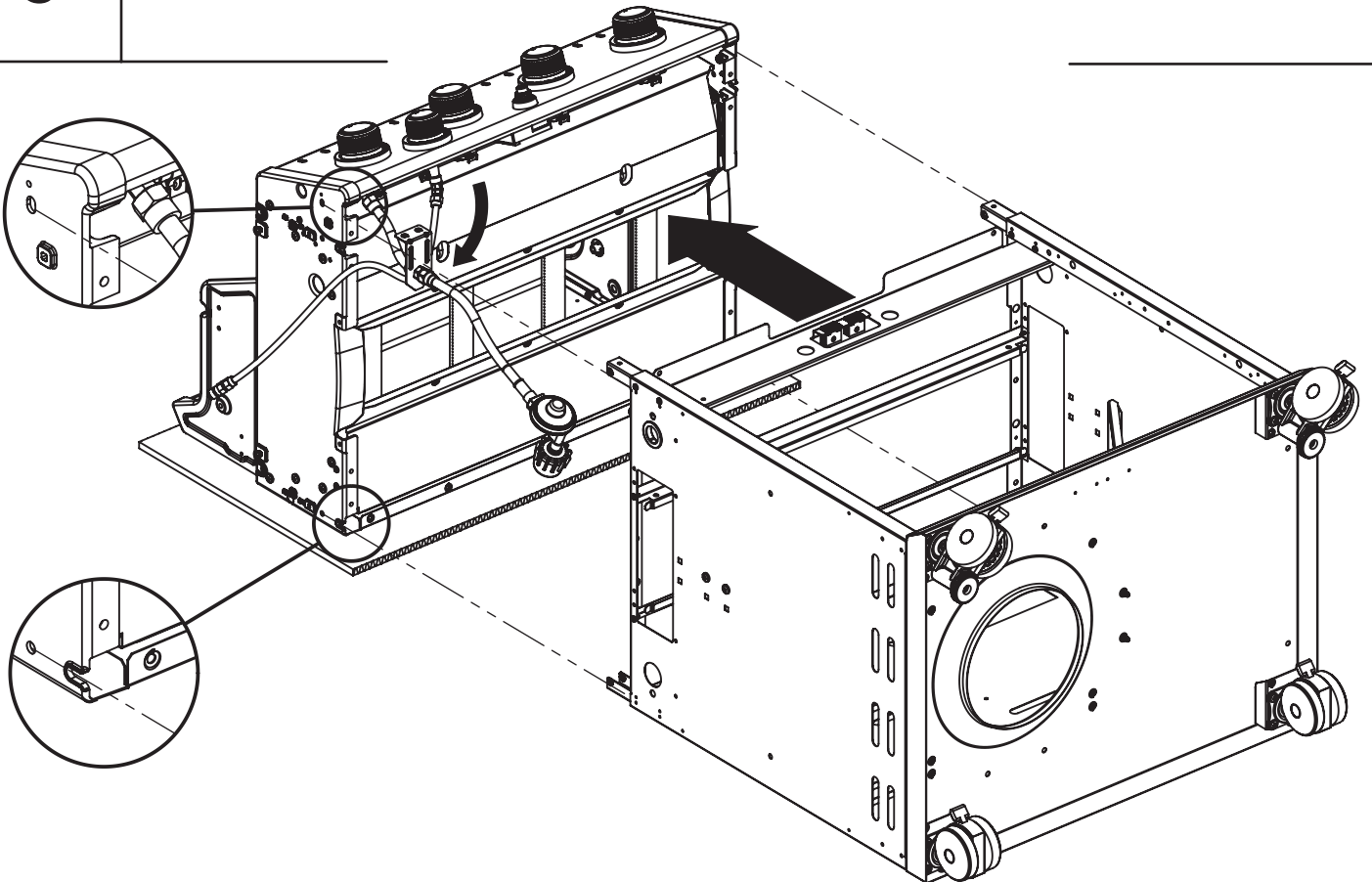


7

(4)



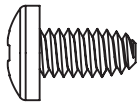
8



9

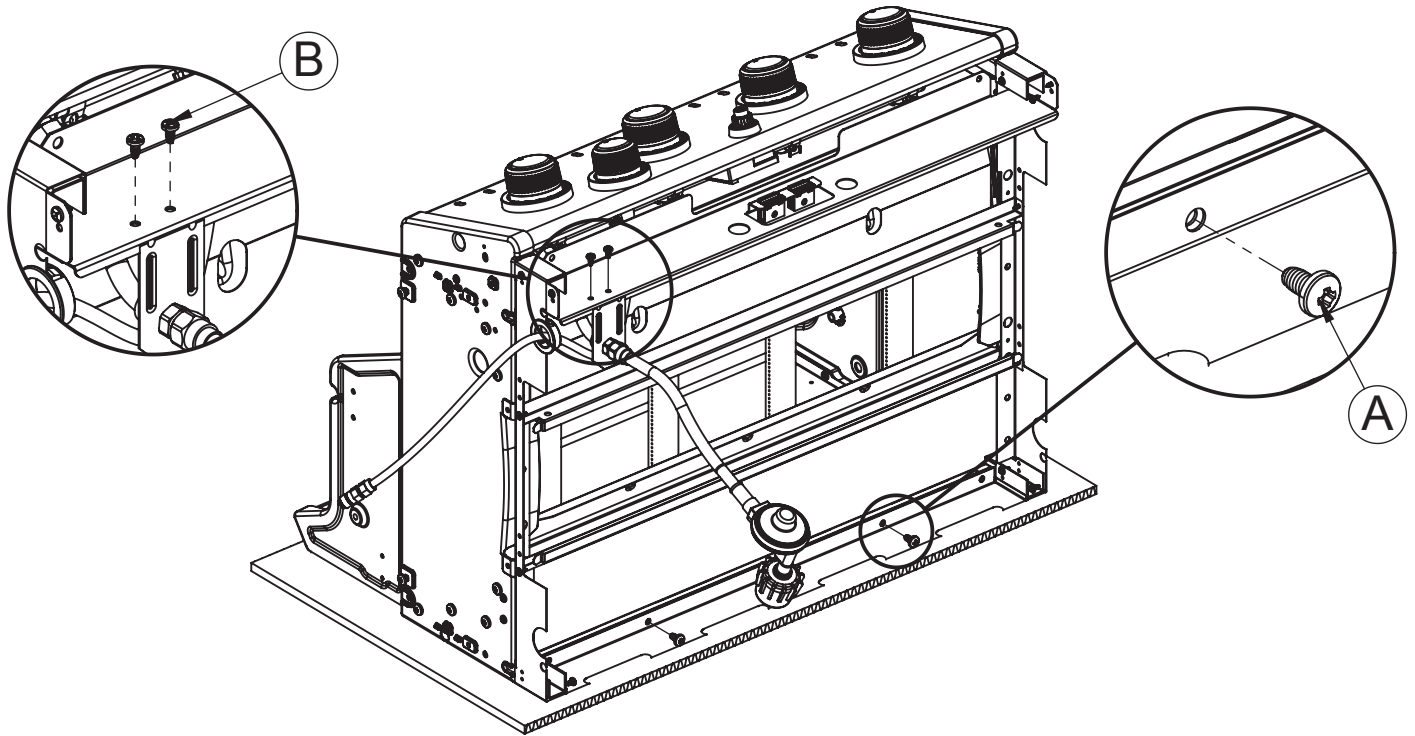
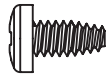
(2)

A



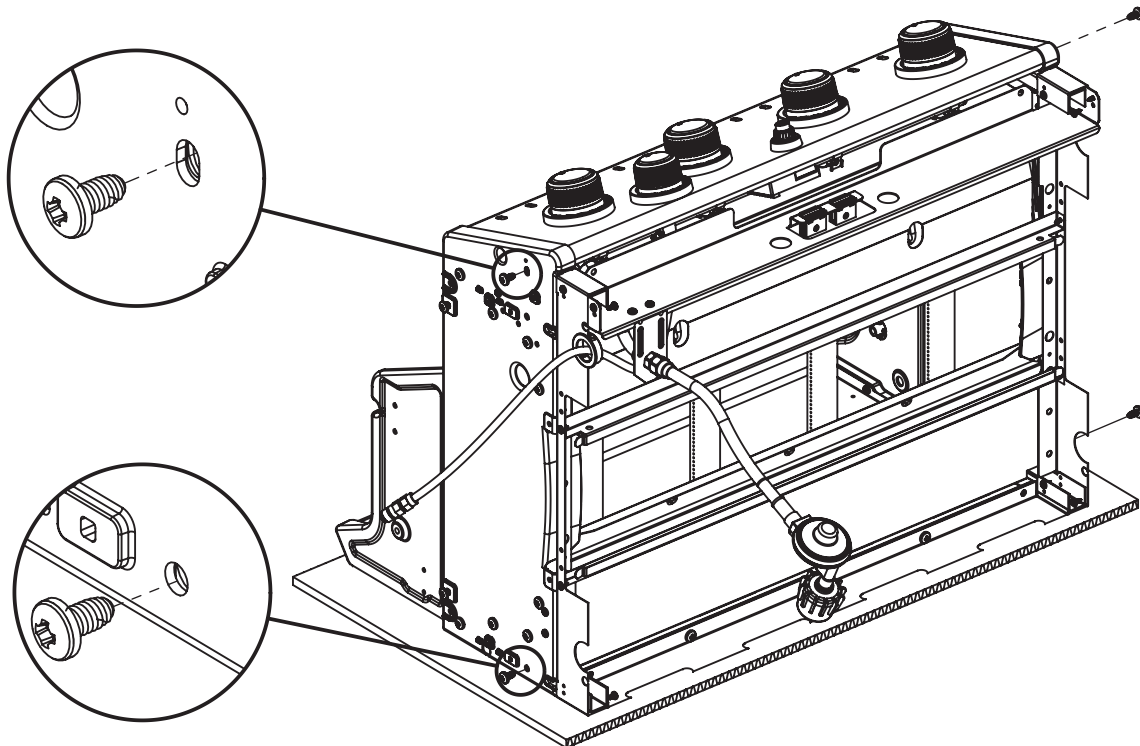
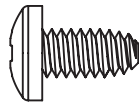
(2)

B

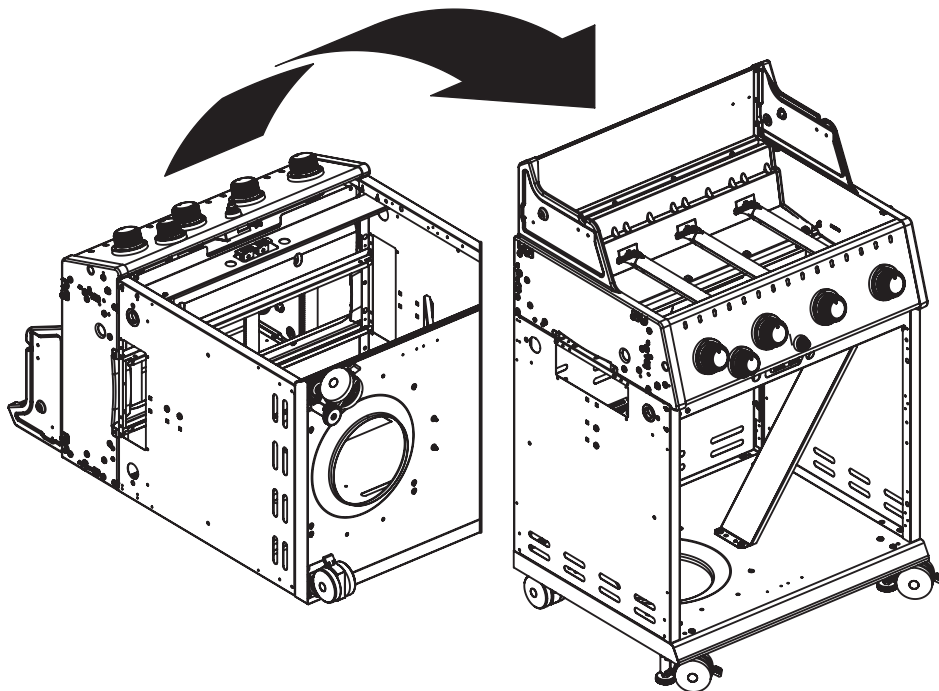


10

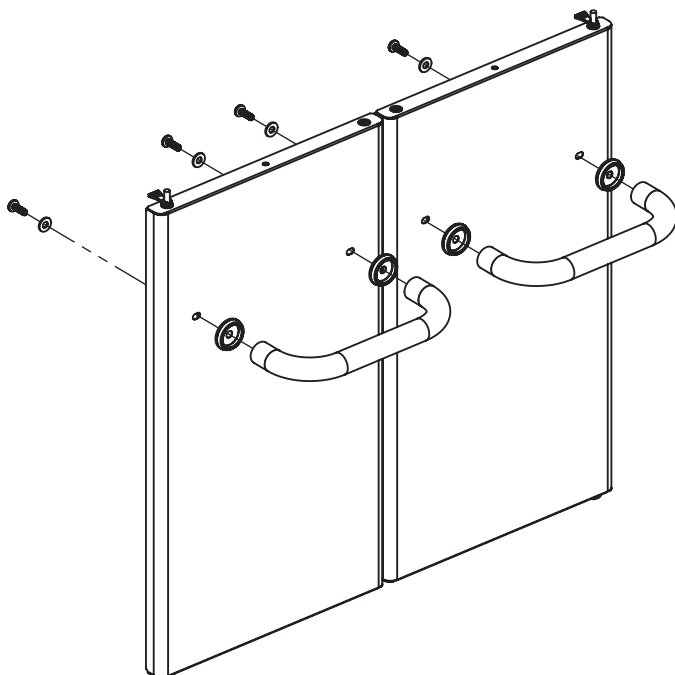
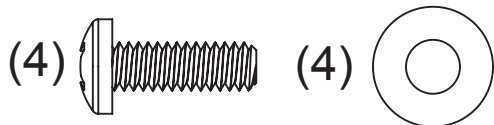
(4)



11

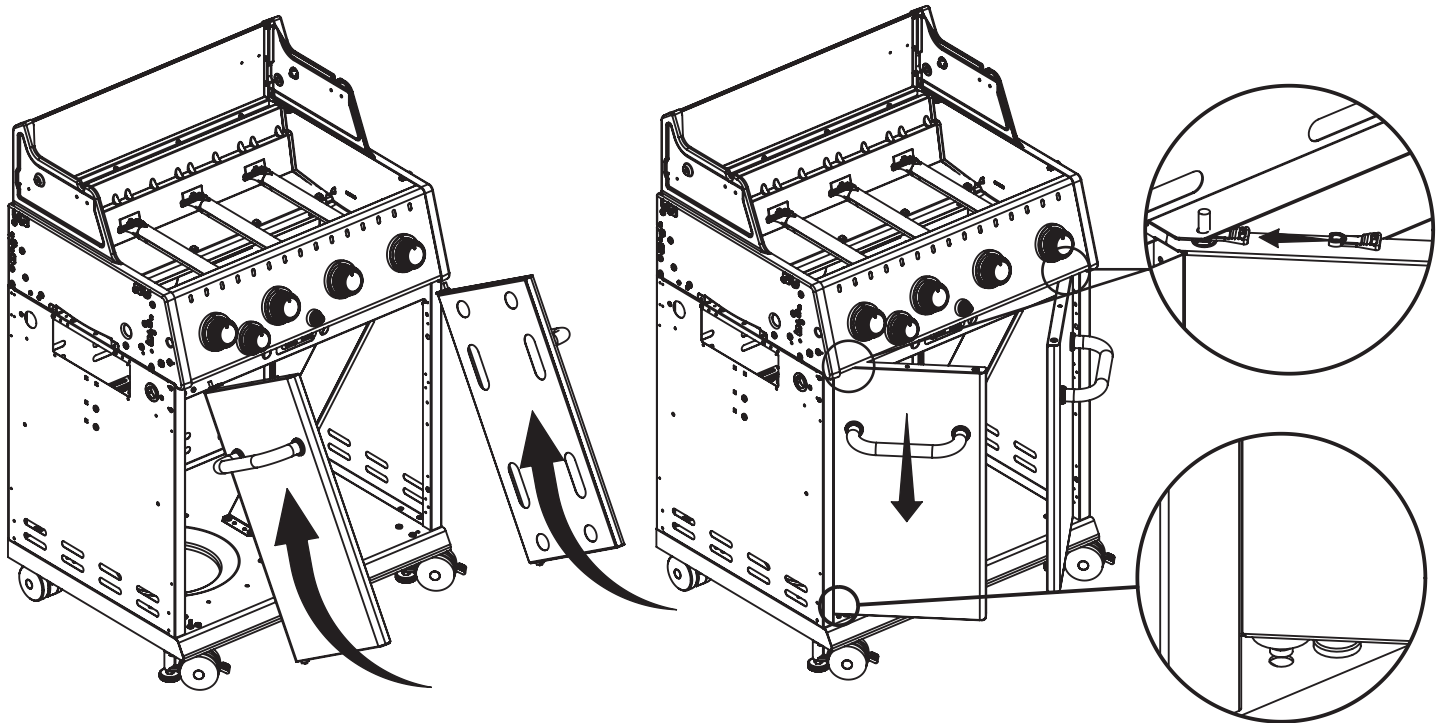
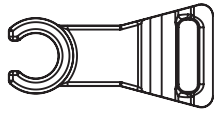


12



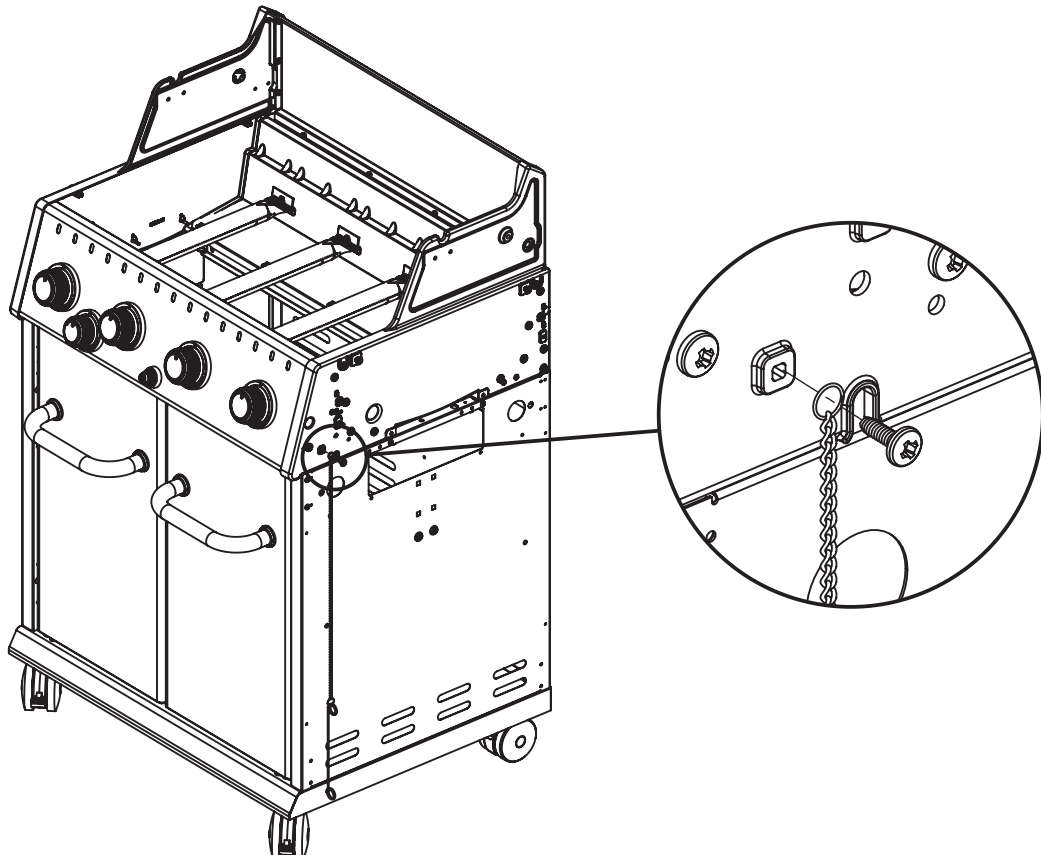
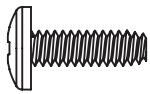
13

(2)



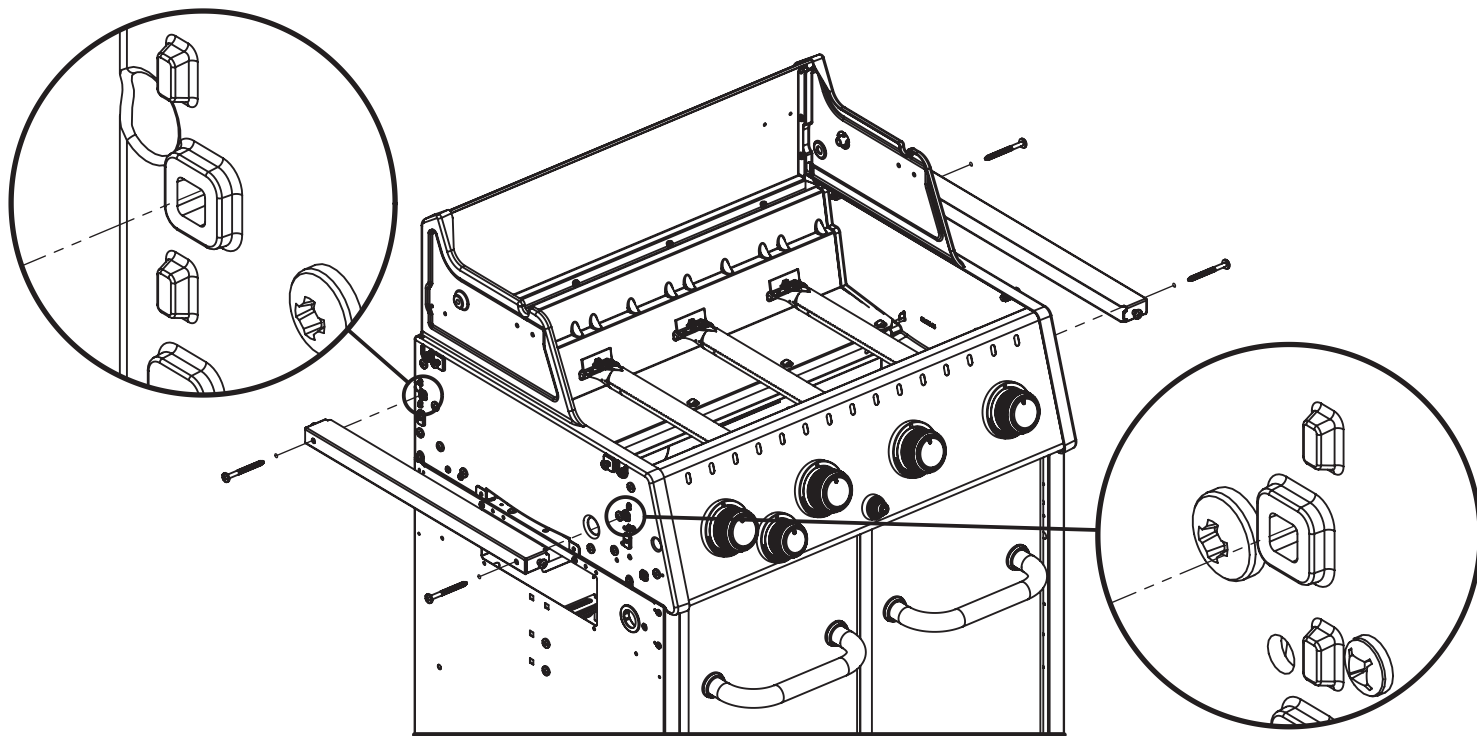
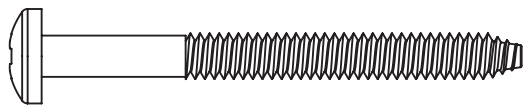
14

(1)

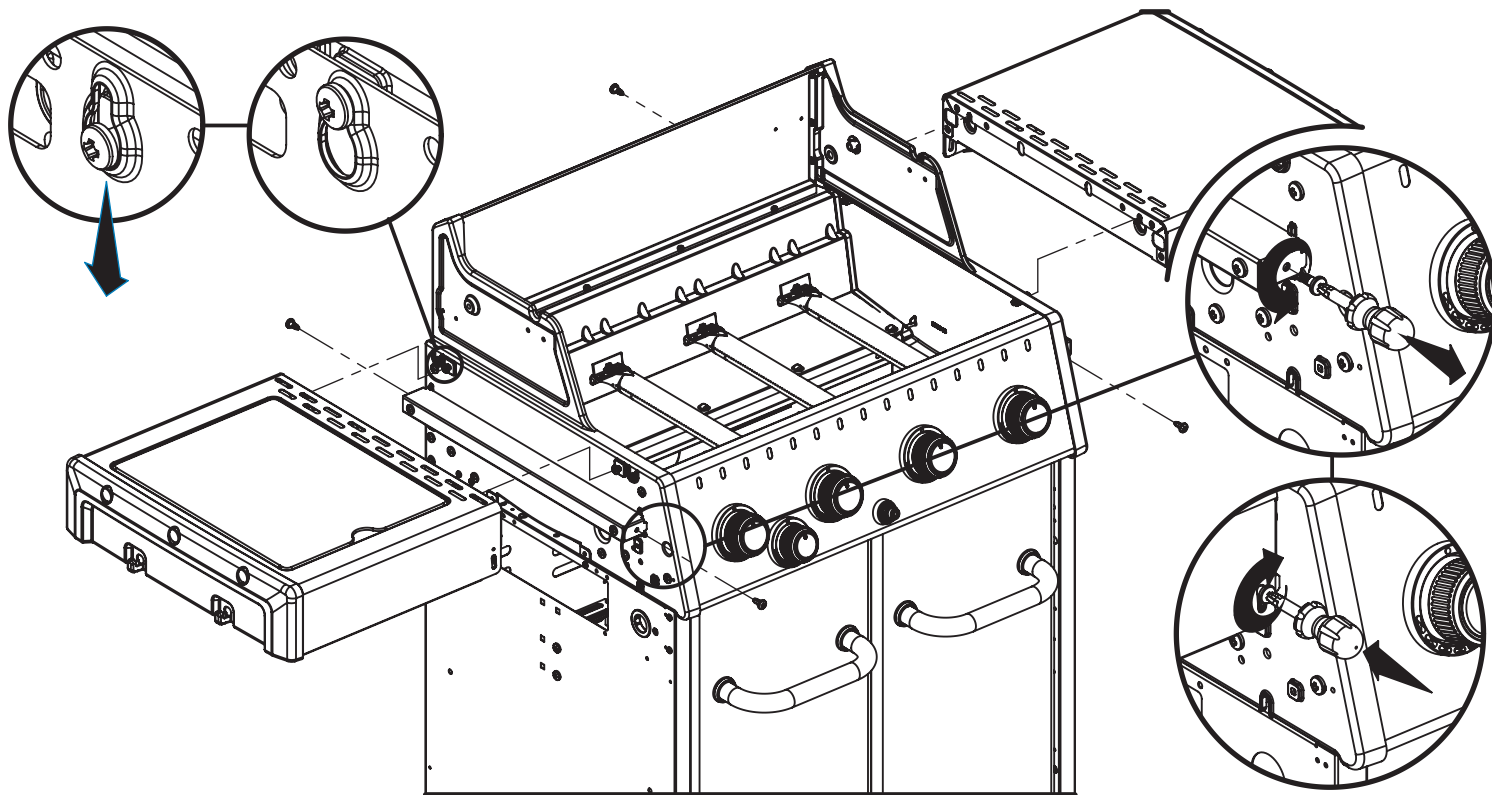


15

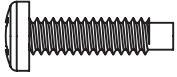
(4)

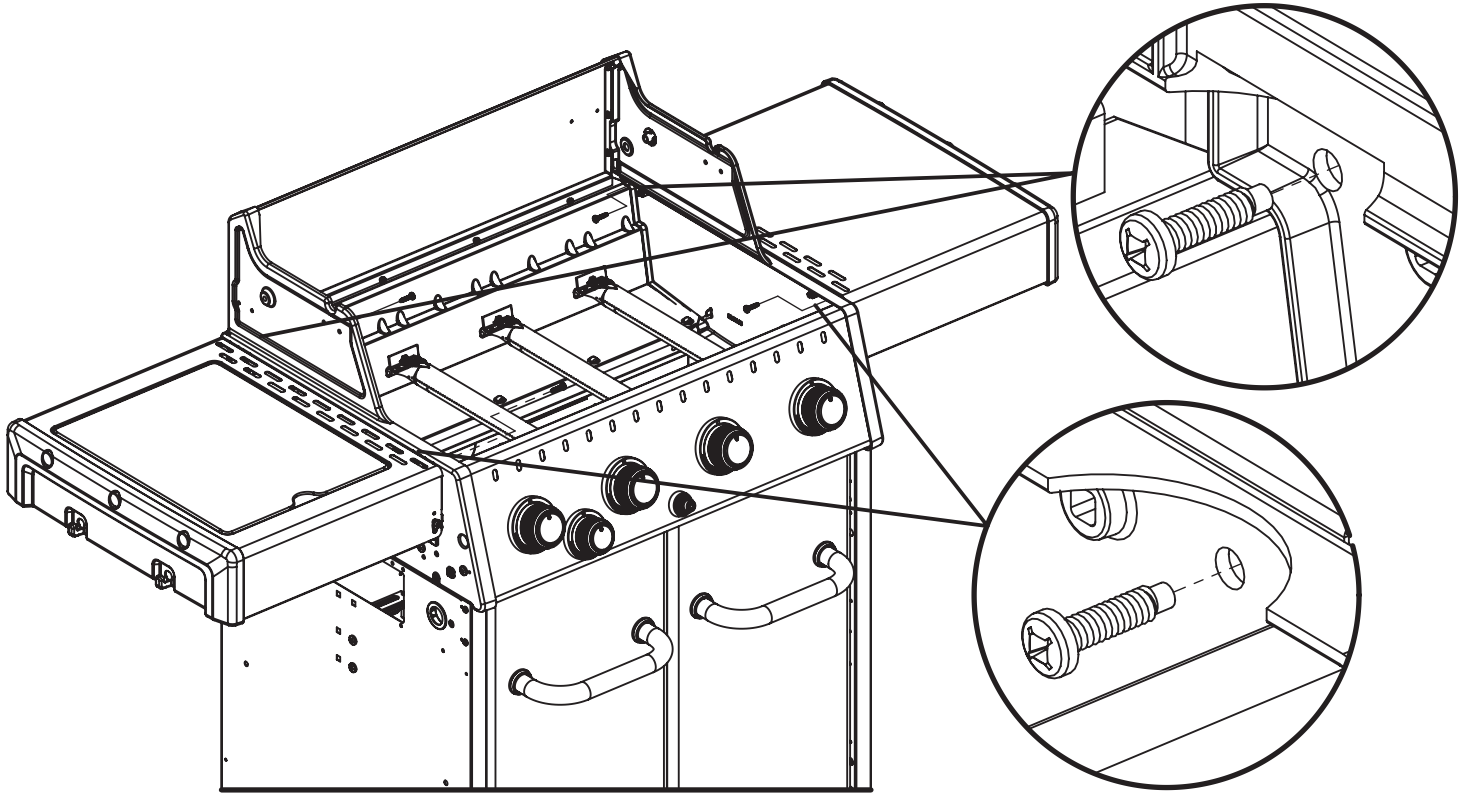


16

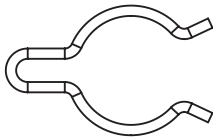


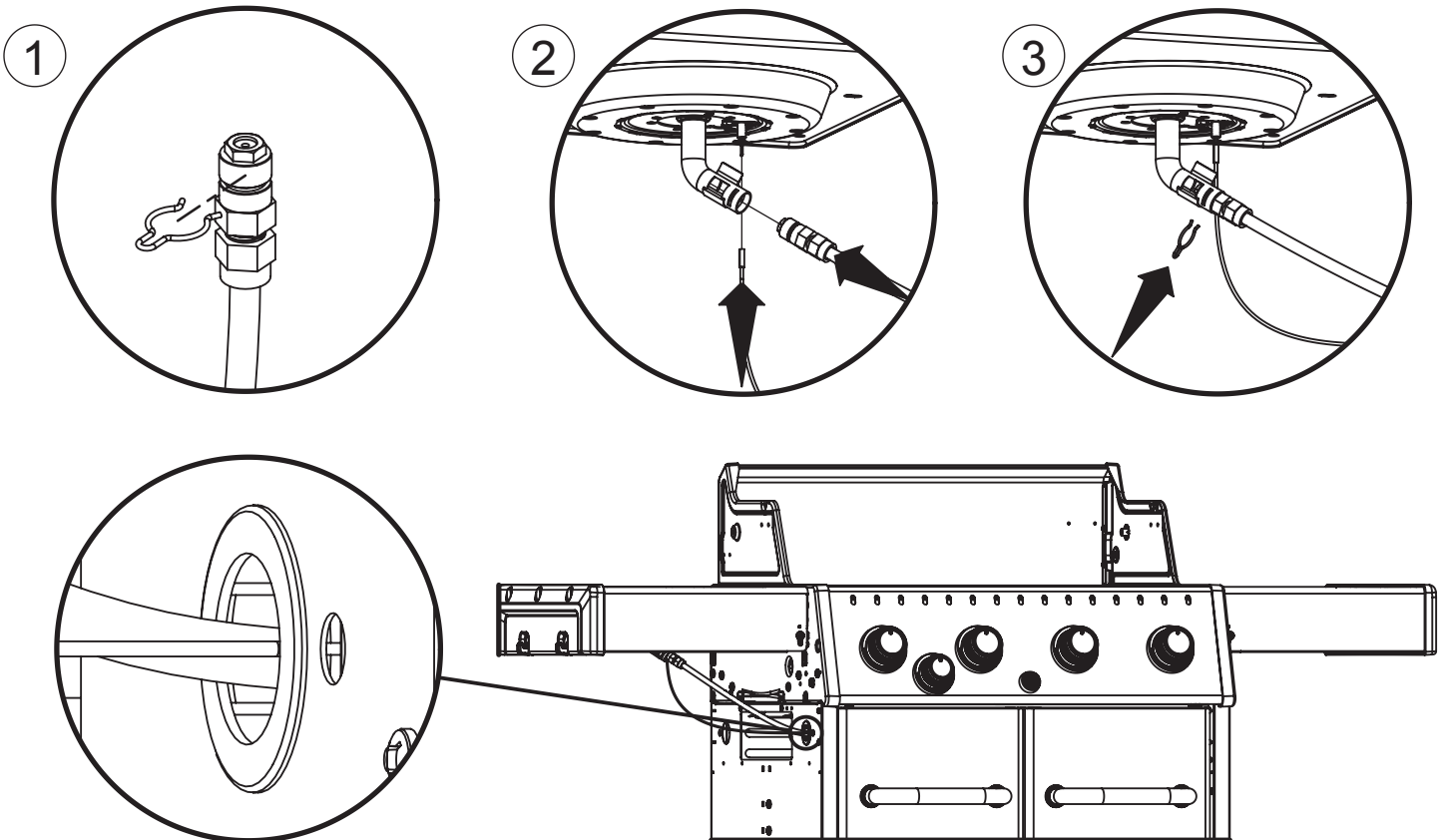
17

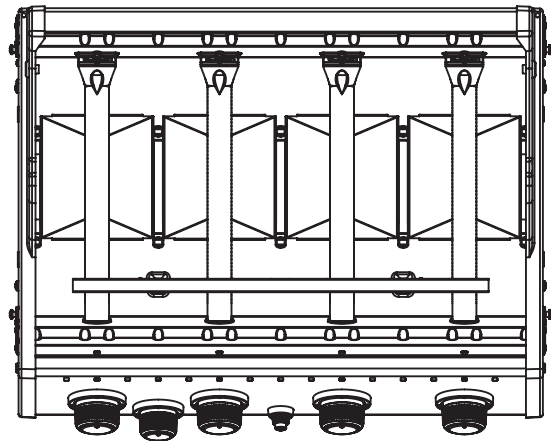
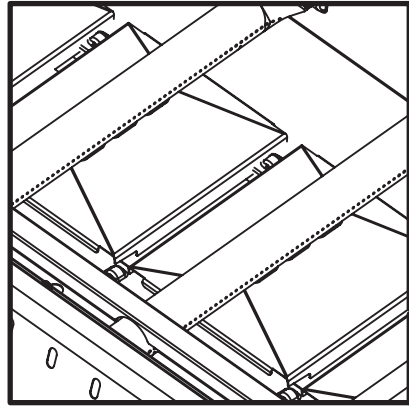
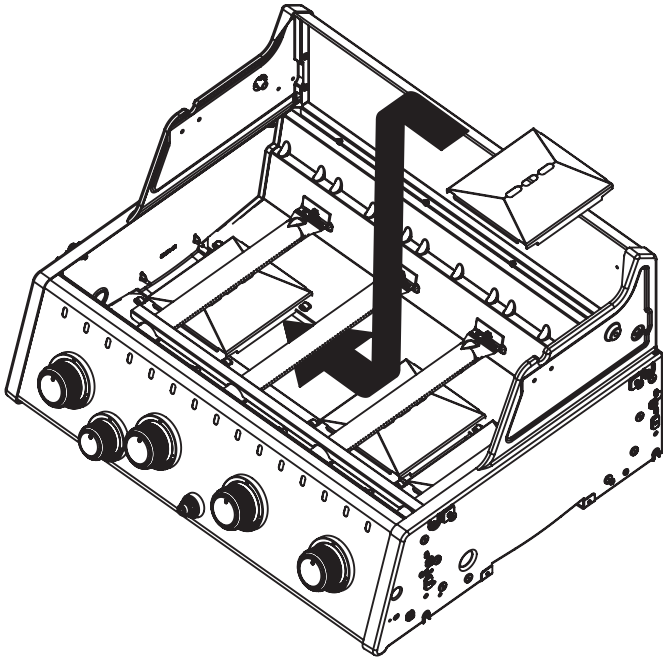
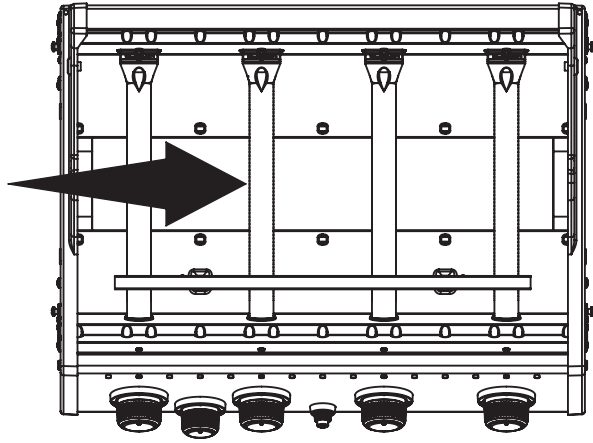
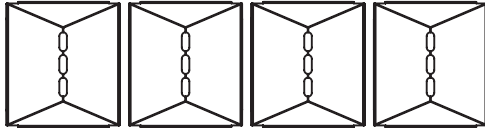
(4) 



18

(1) 

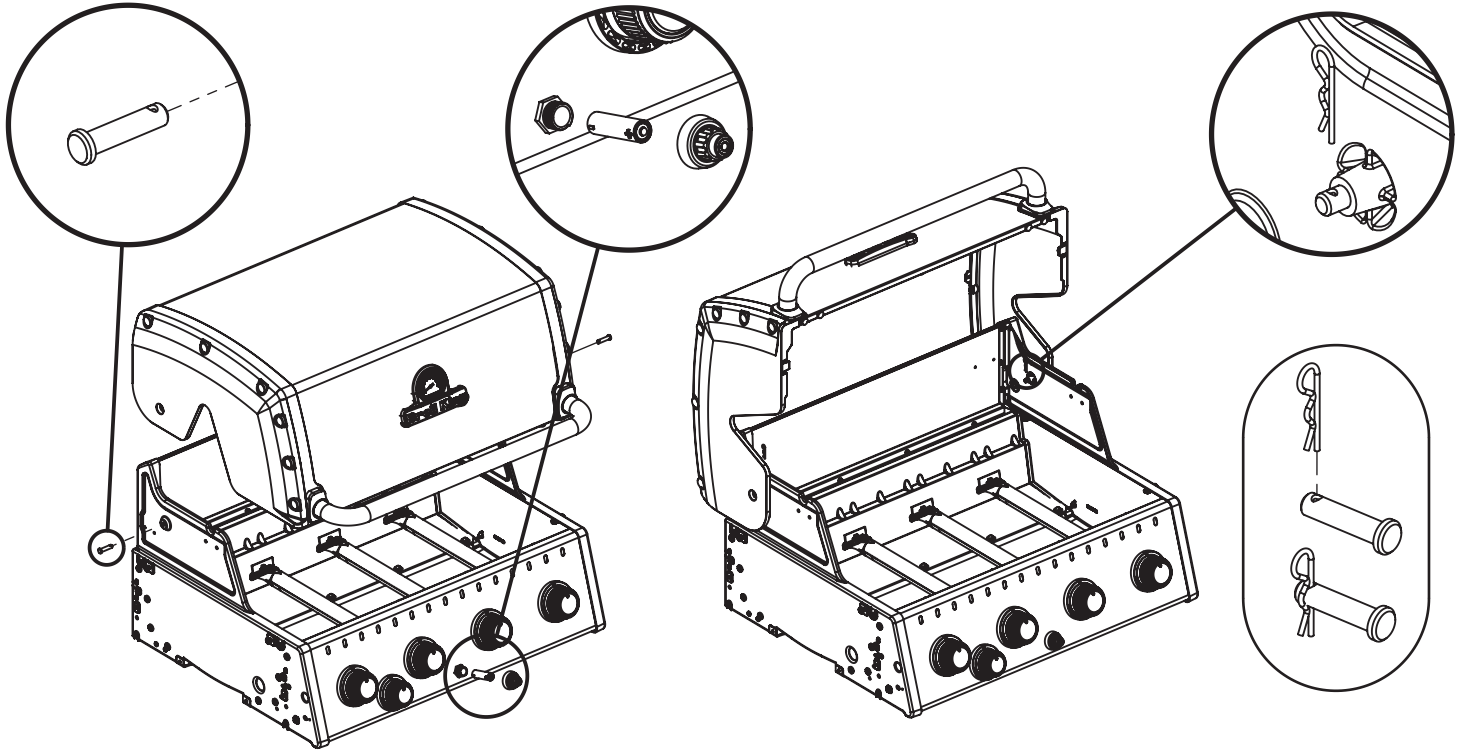




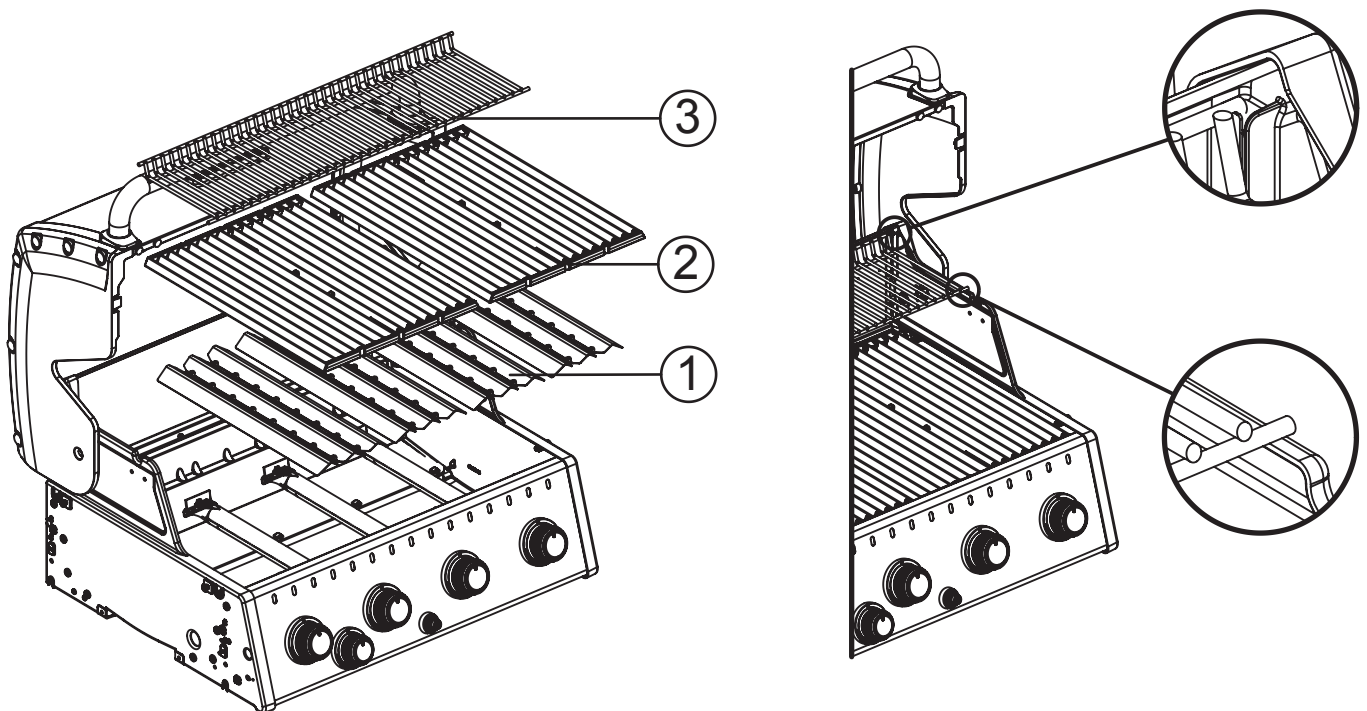
20

(2)  (2) 

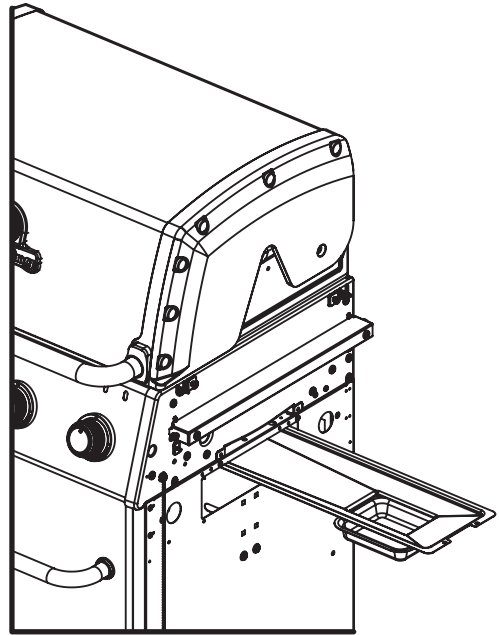
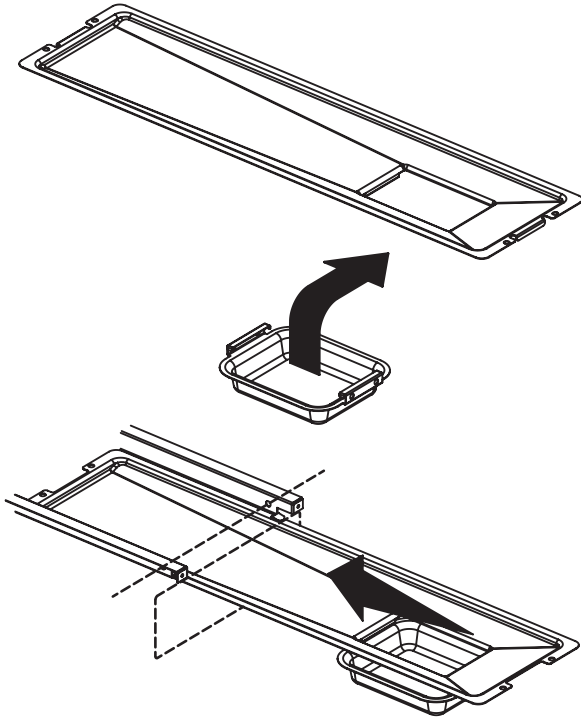
(1) 



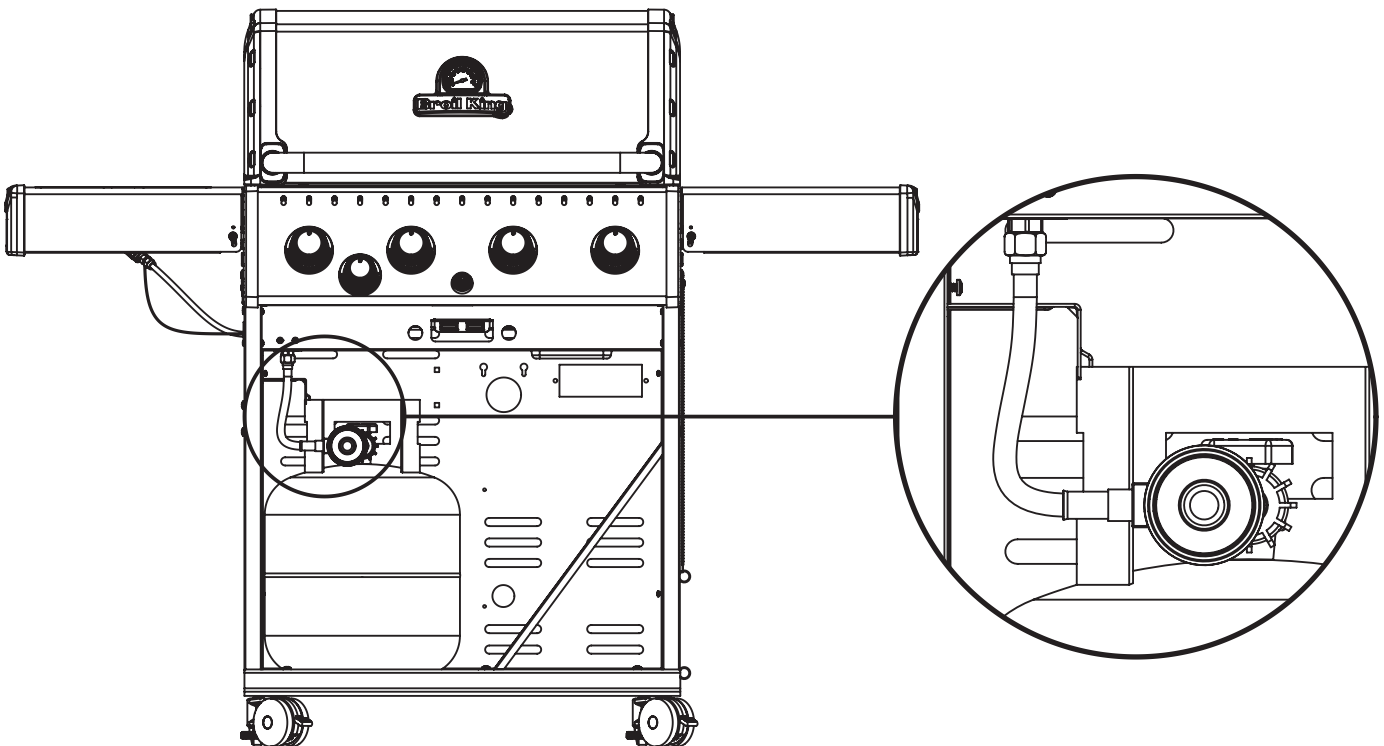
21

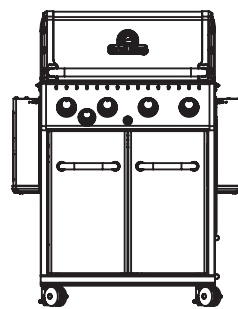
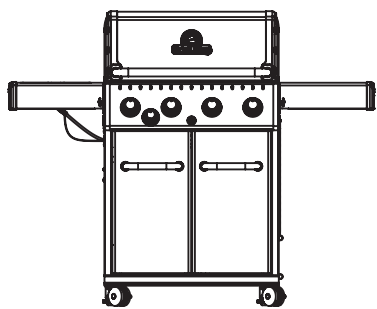


22

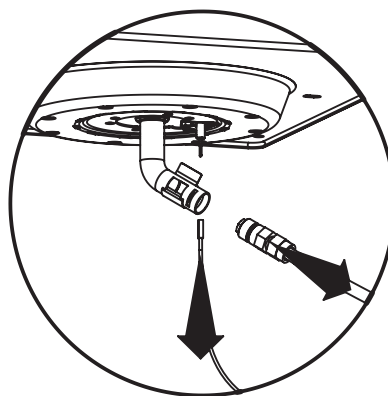
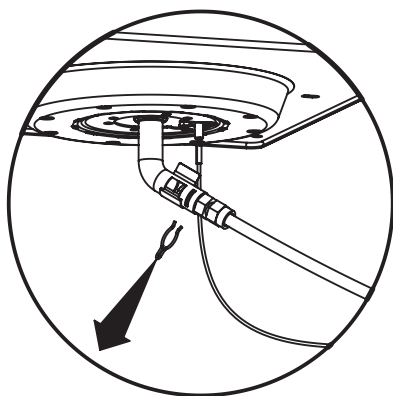


23

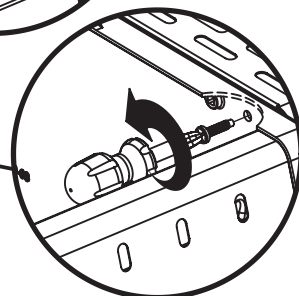
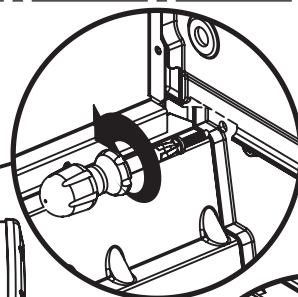
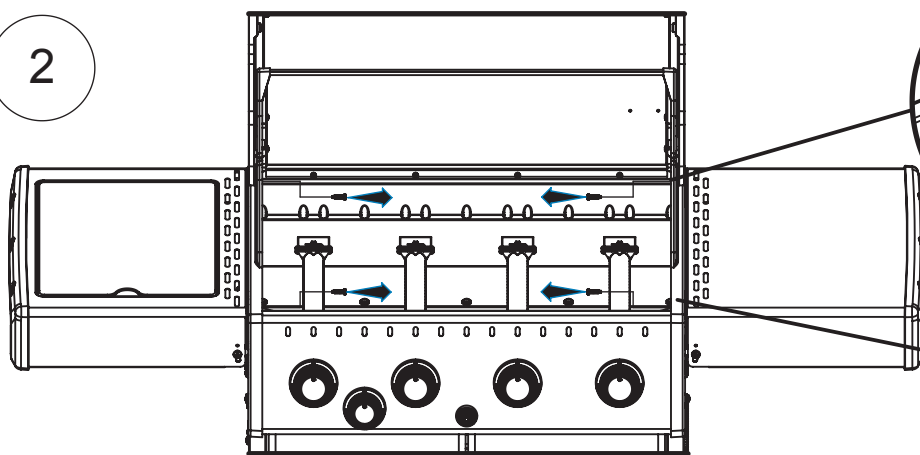




1



2



3

