



## MIX 850

MIX 850 OUTDOOR FREESTANDING FIRE PIT WITH AB8 BURNER NATURAL



### SPECIFICATIONS

**MAD-GL-ESF-O-MX8-NA**  
NATURAL CONCRETE

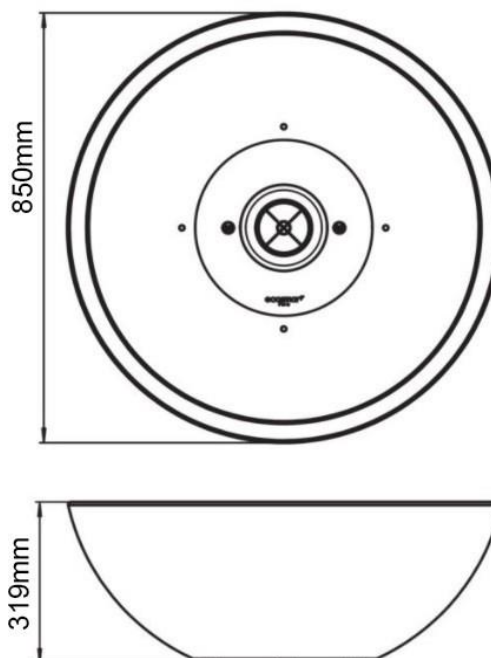
Brand	ECOSMART FIRE
Range	MIX 850
Product Code	MAD-GL-ESF-O-MX8-NA
Finish / Colour	NATURAL CONCRETE
Material	CONCRETE
Product Type	FIREPLACE
Dia X H	850 X 319
Net Weight (KG)	45.74
Weather Resistant	YES

Fuel	BIO-ETHANOL
Fuel Efficiency	7 - 11H (8 LITRES)
Glass Panel	NOT INCLUDED
Heats On Average	646FT2 (60M2)
Minimum Room	4097FT3 (116M3)
Stones Included	BLACK GLASS CHARCOAL
Thermal Output	20433 BTU/H (6 KW 21.56 MJ/H)
Volume Capacity	2.1 GAL (8 LITRES)

### IMAGE



### DRAWING



Box Contents: FIRE PIT, FIRE LIGHTER, LIGHTING ROD, 5L JERRY CAN, BOTTLE ADAPTOR, BLACK GLASS CHARCOAL, AB8 EFFICIENCY RING

Disclaimer: The finish shown in the lifestyle image may not represent the actual finish.

For more information about this product, please contact us: [info@gastronomicfood.com](mailto:info@gastronomicfood.com)  
Tel. No. +974426 74951/+974 74409992