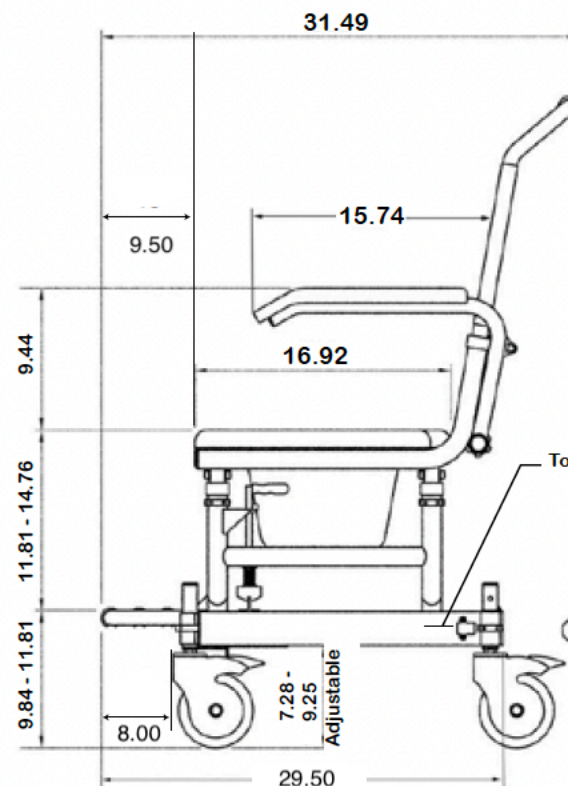
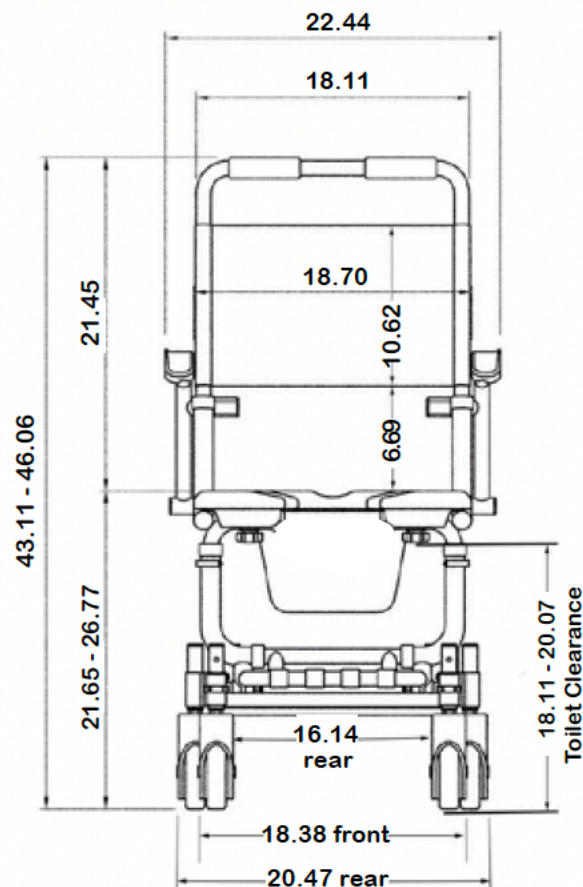


SB1

Dimensions = Inches



Shower base height
Standard 4.72 - 5.51
Use accessory SBR100 up to 5.51 - 7.08
Use accessory SBR150 up to 7.08 - 9.05
Use accessory SBR200 up to 9.05 - 11.02

Toilet clearance width between frame is 11.6

15.94

Can be customised
see accessories

Bridge Support leg must be used, not shown

19.68 (17.91 wide)

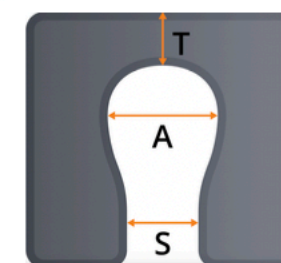
18.70

4.72 - 5.51

Product features:

- Weight capacity – 350lb
- Rolls over most standard toilets
- Low maintenance
- Arms - removable / lockable / flip-back
- Height adjustable
- Safety mechanisms
- No rust aluminum frame (Grade 6061 T6)
- Stainless steel parts and hardware (Grade 304)
- Rotates 360 degrees inside shower (subject to space)
- Footrest - fold-up
- Safety belts - lap & chest belts
- Caster Wheels – 5" x 4 locking
- Commode system
- Tool-free assembly

Bird's eye view



T = 3.50 inch

A = 6.75 inch

S = 4.25 inch

Accessory items

- Refer to the accessory pages or on our website