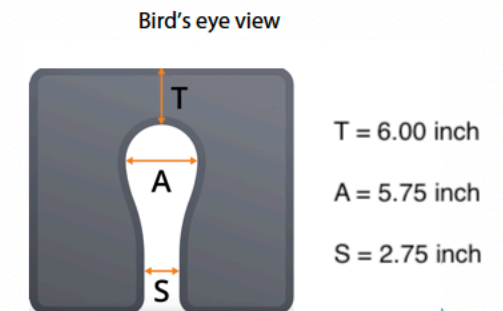
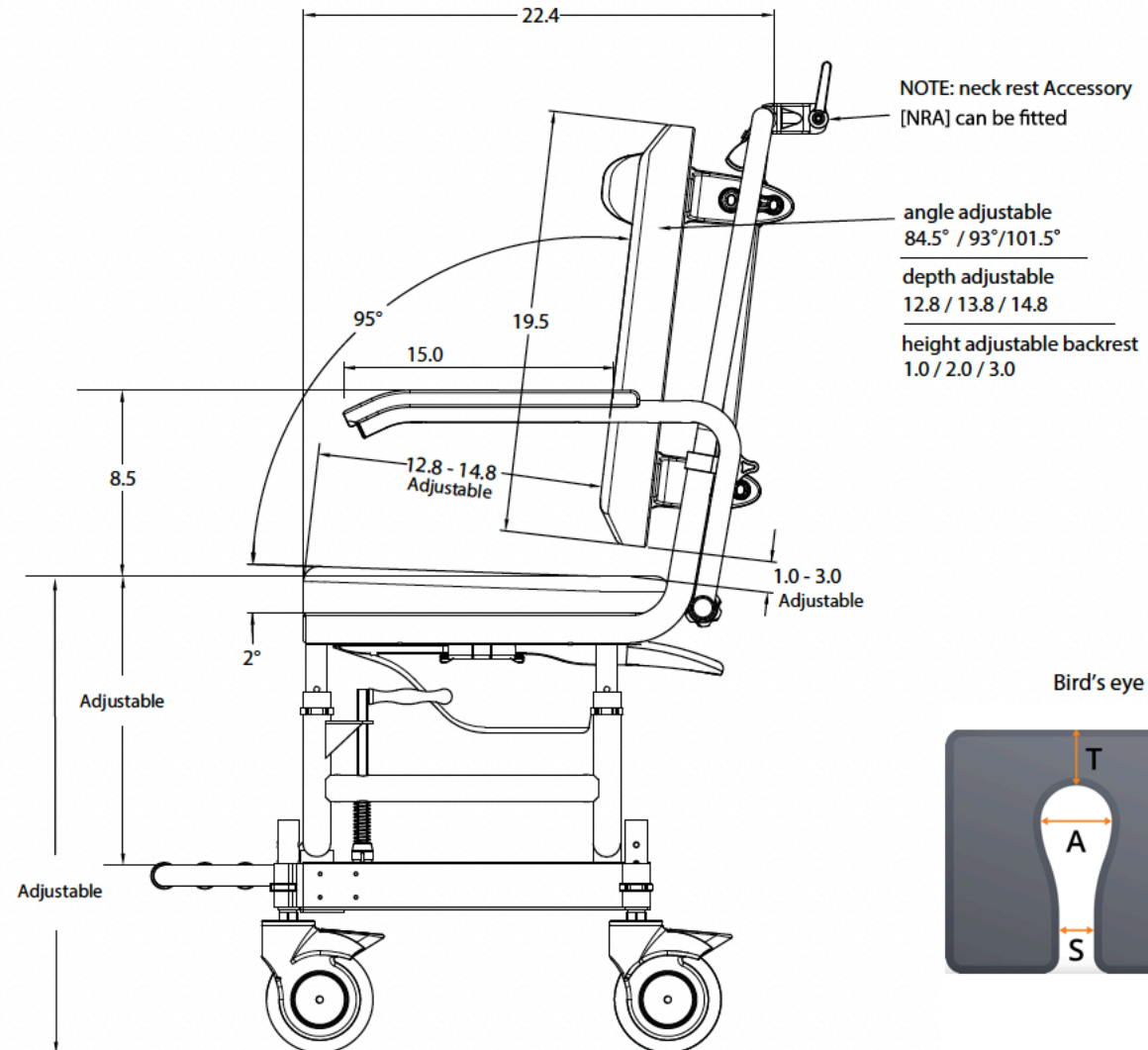
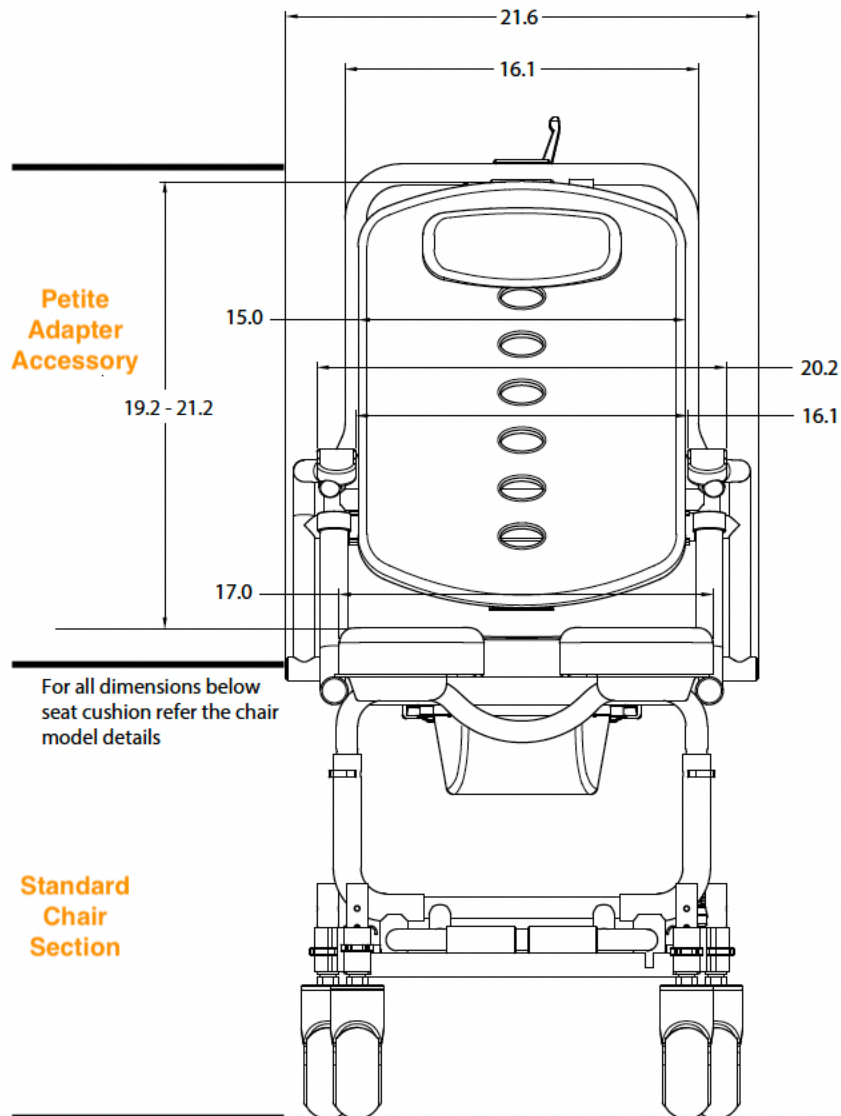


P2

Dimensions = Inches



Petite Buddy P2 shown fitted on SB1 chair base

Suitable for

✓SB1 ✓SB2 ✓SB2t ✓SB3t

Accessory Cushions available -

SCSF1-3 05P Soft Foam T = 4.0 inch / A = 4.75 / S = 2.5

SCSF1-3 P Soft Foam T = 3.5 inch / A = 5.75 / S = 2.5

SCP1 PU Firm Foam T = 3.5 inch / A = 5.75 / S = 2.75