



*CLEARING THE WAY
TO MOVE YOU FORWARD*



LOW PROFILE MOUNT PREEMPTION EMITTER

WWW.TOMAR.COM

[f](#) [t](#) [in](#) [ig](#) @tomarUSA



LOW PROFILE MOUNT PREEMPTION EMITTER

Responding to emergencies is extremely dangerous! Your response time should not be hindered by opposing traffic. The TOMAR Low Profile Mount Preemption Emitter increases your safety and reduces obstacles along the way.

The TOMAR 3065-LOPRO and T792HL-LOPRO were designed to fit anywhere on your vehicle to make your expedited response safer. Available in self-contained or remote mounted versions, the emitter generates an infrared optical signal that is detected by both TOMAR and *GTT OPTICOM compatible systems. This signal begins the quick process of stopping opposing traffic so you can safely navigate through the intersection.

Why Strobe and not IR LED?

Conservatively, a TOMAR strobe emitter puts out over 100 times more peak Infrared power in its flash than a LED emitter does. The TOMAR strobe uses some of this peak power advantage to project a substantially wider beam, making it easier for an intersection or Stroboswitch gate access-point to detect an approaching emergency vehicle at higher off-axis angles. This also allows TOMAR emitters to have a standard performance rating of over 2,500 feet, and in many cases, a line-of-sight range of a mile. All of this equates to vehicle preemption taking place sooner, and reducing risk.

T792HL-LOPRO Models

Emit any of 10,000 *GTT OPTICOM vehicle ID's in 10 classes of either command (high) or advantage (low) priorities.

3065-LOPRO Models

Emit any of 65,000 vehicle ID's of either Emergency Band (high) or Transit Band (low) priorities.

Both T792HL and 3065 models are equipped with continuous self-diagnostics with visual feedback and a highly adaptable automatic disable system to prevent intersection lockup.

Part Numbers:

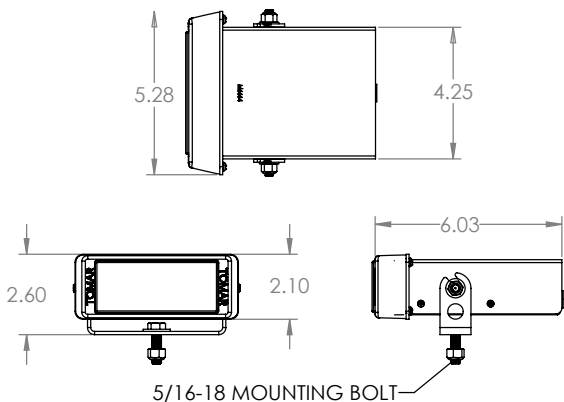
T792HL-LOPRO: Emitter & Power Supply
 T792HL-LOPRO-R: Remote Emitter & Remote Power Supply
 3065-LOPRO: Emitter and Power Supply
 3065-LOPRO-R: Remote Emitter and Remote Power Supply
 MOTO-VLF: Optional Visible Light Filter

Dimensions:

T792HL-LOPRO & 3065-LOPRO: 5.28"W x 2.1"H x 6.03"D
 T792HL-LOPRO-R & 3065-LOPRO-R: 5.28"W x 2.1"H x 4.15"D



- Self-contained, potted emitter assembly
- Min 2,500 Feet Detection
- 2 position on/off switch
- 12 or 24 VDC
- Weather Resistant
- Hermetically-sealed IP69K waterproof lamp
- Pure gold vacuum-metallized reflector for optimal infrared reflection
- Potted IP69K waterproof control module
- Power and control cable included
- Waterproof connectors
- Disable feature can be latching/non-latching, GND or +BAT polarity
- An optional visible light filter can be added to make emitter operation invisible (sold separately)
- 10 Year Warranty on power supply and 2 Year Warranty on the lamp



VLF Installation