

# SSLC-2 STROBESWITCH - IS0902 INSTALLATION INSTRUCTIONS

## SAFETY NOTICES

### WARNING

FAILURE TO FOLLOW ALL SAFETY PRECAUTIONS AND INSTRUCTIONS MAY RESULT IN PROPERTY DAMAGE, SERIOUS INJURY OR DEATH TO YOU OR OTHERS

### SAFETY MESSAGE TO INSTALLERS, USERS, AND MAINTENANCE PERSONNEL

IT IS IMPORTANT TO FOLLOW ALL INSTRUCTIONS SHIPPED WITH THIS PRODUCT. THIS DEVICE IS TO BE INSTALLED BY A TRAINED INSTALLER WHO IS THOROUGHLY FAMILIAR WITH THE NATIONAL ELECTRIC CODES AND LOCAL CODES AS WELL.

THE SELECTION FOR THE MOUNTING LOCATION FOR THE DEVICE, ITS CONTROLS AND THE ROUTING OF THE WIRING IS TO BE ACCOMPLISHED UNDER THE DIRECTION OF THE FACILITIES ENGINEER. IN ADDITION, LISTED BELOW ARE SOME OTHER IMPORTANT SAFETY INSTRUCTIONS AND PRECAUTION YOU SHOULD FOLLOW:

- READ AND UNDERSTAND ALL INSTRUCTIONS BEFORE INSTALLING OR OPERATING THIS EQUIPMENT.
- DO NOT CONNECT THIS DEVICE TO THE SYSTEM WHEN THE POWER IS TURNED ON.
- AFTER INSTALLATION, ENSURE THAT ALL SCREWS AND THREADED JOINTS ARE PROPERLY TIGHTENED.
- AFTER INSTALLATION, TEST THE SYSTEM REGULARLY TO ENSURE THAT IT IS OPERATING PROPERLY.
- AFTER INSTALLATION AND TESTING IS COMPLETE, PROVIDE A COPY OF THIS INSTRUCTION SHEET TO ALL OPERATING PERSONNEL.

## INSTALLATION

### 1. UNPACKING

AFTER UNPACKING THE EQUIPMENT, EXAMINE IT FOR DAMAGE THAT MAY HAVE OCCURRED IN TRANSIT. IF THE EQUIPMENT HAS BEEN DAMAGED, DO NOT ATTEMPT TO INSTALL OR OPERATE IT. FILE A CLAIM IMMEDIATELY WITH THE CARRIER STATING THE EXTENT OF THE DAMAGE. CAREFULLY CHECK ALL ENVELOPES, SHIPPING LABELS AND TAGS BEFORE REMOVING OR DESTROYING THEM.

### 2. MOUNTING AND WIRING

#### A. STROBE SWITCH DETECTOR

- MOUNT THE STROBE SWITCH IN A LOCATION THAT WILL ALLOW IT TO BE AIMED TO VIEW THE ACCESS ROADWAY LEADING TO THE GATE.
- ROUTE THE WIRES FROM THE STROBE SWITCH TO THE POWER SUPPLY LOCATION. MAKE SURE THE WIRES ARE PROTECTED AND SECURED.
- FOR TWO OR MORE SSLC-2 UNITS, PARALLEL POWER AND OUTPUT CONNECTIONS.

#### B. CONTROL WIRES TO GATE

- ROUTE THE LOW VOLTAGE GATE CONTROL WIRES FROM THE GATE TO THE POWER SUPPLY LOCATION. MAKE SURE THE WIRES ARE PROTECTED AND SECURED.
- CONNECT THE LOW VOLTAGE GATE CONTROL WIRES TO THE RELAY OUTPUT ON THE SSLC-2 PER WIRING DIAGRAM.

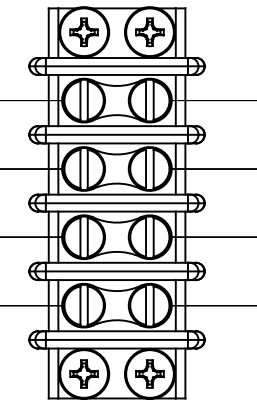
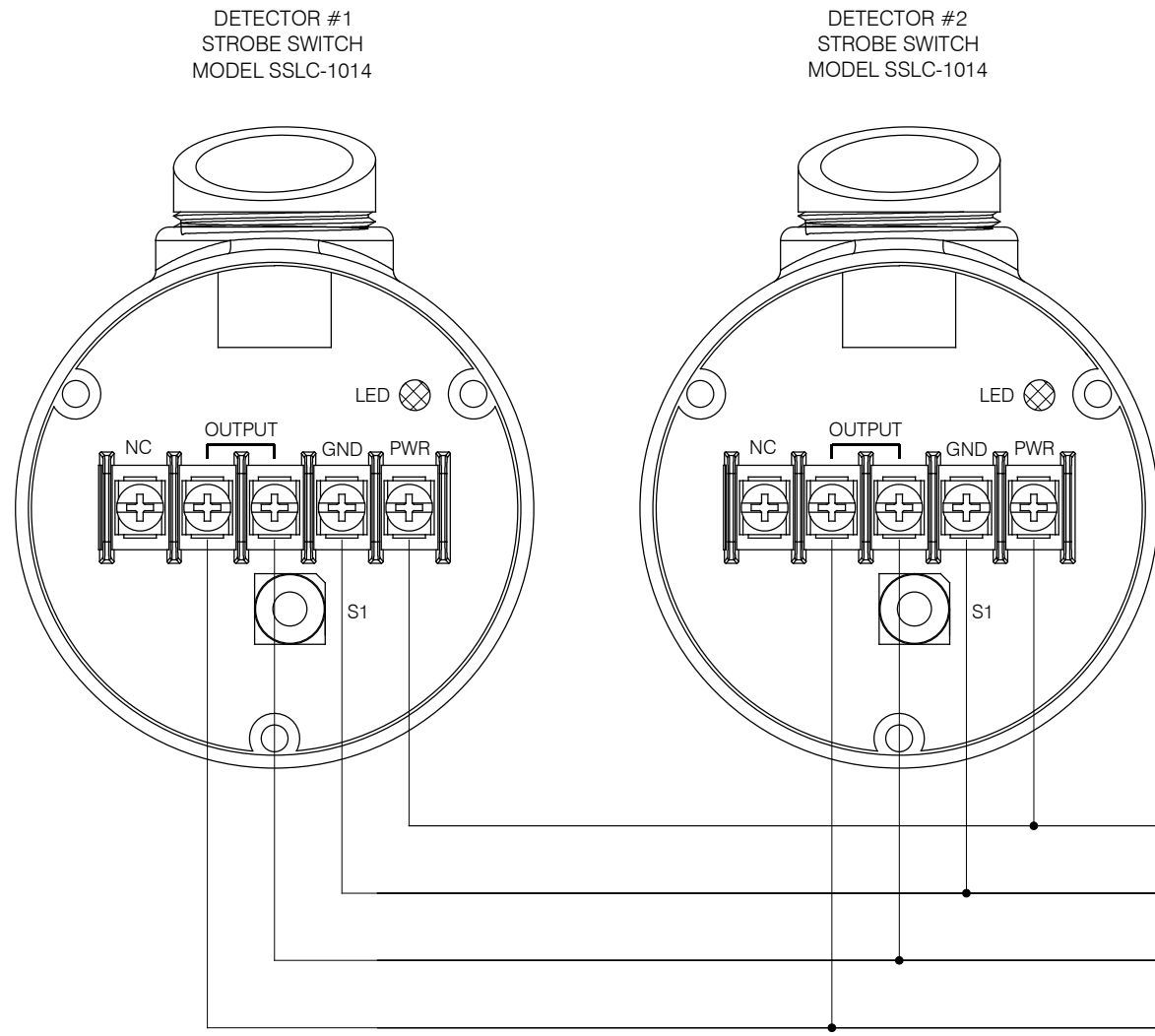
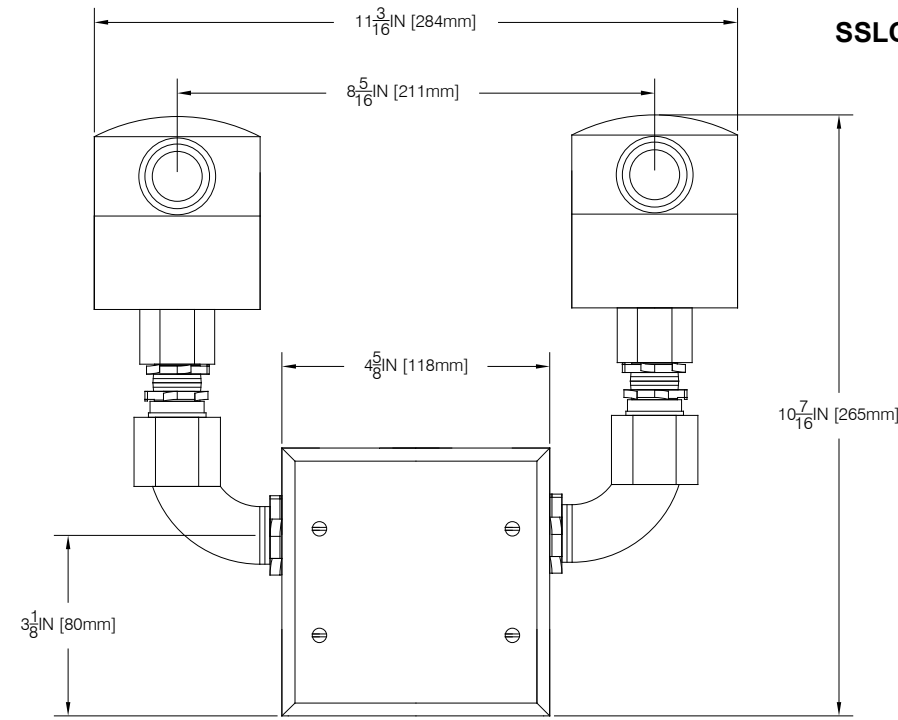
#### C. POWER WIRES TO GATE

- LOCATE A FUSED POWER SOURCE ON THE GATE CONTROL UNIT AND ROUTE TWO WIRES FROM THIS POWER SOURCE TO THE SSLC-2.
- CONNECT POWER FROM GATE CONTROLLER AS SHOWN IN WIRING DIAGRAM.
- IF A 12 TO 24 VDC POWER SOURCE IS BEING USED, BE SURE TO NOTE POLARITY AS SHOWN.

## INSTALLATION IS COMPLETE

### 3. OPERATION

- WHEN DETECTOR #1 OR DETECTOR #2 RECEIVES A SIGNAL, ITS SOLID STATE RELAY OUTPUT WILL CLOSE AND THE RED L.E.D. WILL BE ILLUMINATED. THE RELAY WILL REMAIN CLOSED AND THE L.E.D. WILL REMAIN ILLUMINATED UNTIL THE SIGNAL TO THE DETECTOR AND THE DELAY TIME SELECTED ON THE (S-1 DELAY SWITCH) RUNS OUT. AT THAT TIME THE RELAY WILL OPEN AND THE RED L.E.D. WILL BE OFF.



12-24 VDC  
OR  
24 VAC -- POSITIVE  
  
COMMON -- NEGATIVE  
  
N.O. SOLID-STATE  
RELAY OUTPUT  
  
100 mA MAX  
120 VAC/DC MAX

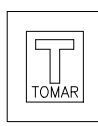
20GA CONDUCTORS MIN  
CUSTOMER-SUPPLIED WIRING

STROBE SIGNAL FROM DETECTOR CLOSES  
RELAY FOR DURATION OF STROBE SIGNAL PLUS  
TIME DELAY

#### (S1) DELAY SWITCH POSITION DELAY TIME

- 0 = NO DELAY
- 1 = 15 SECONDS
- 2 = 30 SECONDS
- 3 = 01 MINUTE
- 4 = 02 MINUTES
- 5 = 03 MINUTES
- 6 = 04 MINUTES
- 7 = 05 MINUTES
- 8 = 06 MINUTES
- 9 = 07 MINUTES
- A = 10 MINUTES
- B = 15 MINUTES
- C = 20 MINUTES
- D = 25 MINUTES
- E = 30 MINUTES
- F = TEST MODE -- OUTPUT AND LED ON

CURRENT DRAW			
IDLING		ACTIVATED	
2 detectors	(mA)	2 detectors	(mA)
12VDC	7	12VDC	13
24VDC	4	24VDC	7
24VAC	10	24VAC	19

UNLESS OTHERWISE SPECIFIED DIMENSIONS ARE IN INCHES. TOLERANCES: DECIMALS .XX + - - .XXX + - - ANGLES ± SCALE NONE DO NOT SCALE DRAWING DRAWN TT 7/16/20 APPROVED © COPYRIGHT 1998 TOMAR ELECTRONICS INC.				REV	DATE	DESCRIPTION	TOMAR ELECTRONICS INC. 2100 WEST OBISPO GILBERT, ARIZONA 85233		DRAWING NO.	REV
							SSLC-2 DUAL STROBESWITCH INSTALLATION, WIRING AND INSTRUCTIONS TOMAR PART NO: IS0902		16181	01