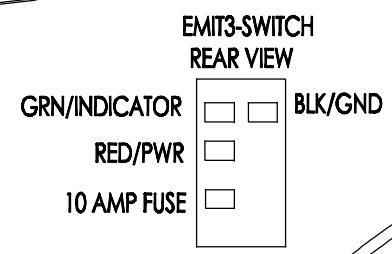
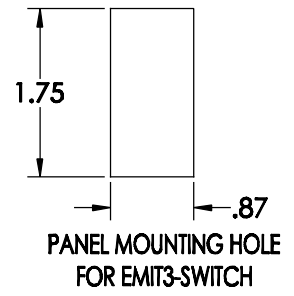
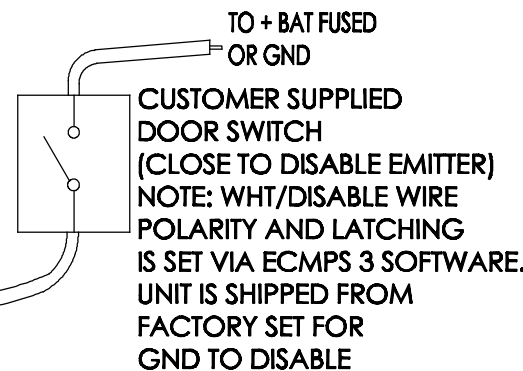
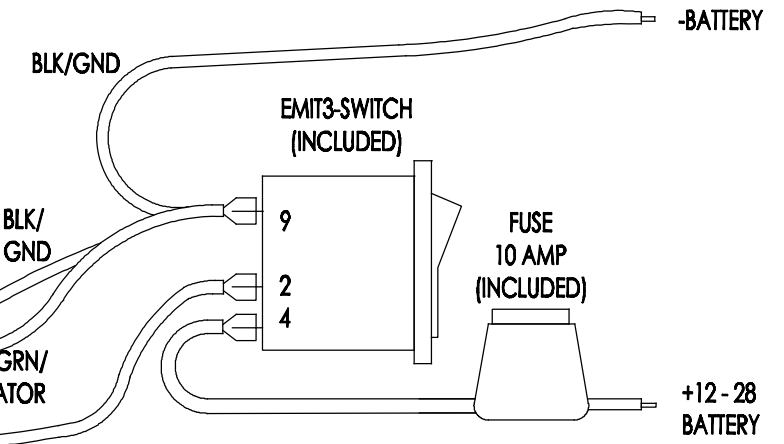



INDICATOR	STATUS
STEADY	EMITTER ON
2 Hz FLASH	LAMP MISSING FLASHES
.5 Hz FLASH	EMITTER DISABLED



EMIT3-CONTCBL WIRE FUNCTIONS	
WIRE COLOR	FUNCTION
RED	+POWER
BLK	GND
GRN	INDICATOR
WHT	DISABLE
BLU	NC
ORG	NC



MTG HWDR KIT SA1330
SEE ISO357-MTGKIT FOR B/M

UNLESS OTHERWISE SPECIFIED DIMENSIONS ARE IN INCHES. TOLERANCES: DECIMALS .XX + - .XXX + - ANGLES ± SCALE: Various DO NOT SCALE DRAWING DRAWN: AML 10/21/99 APPROVED: _____ © COPYRIGHT 2002 TOMAR ELECTRONICS INC.	REV	DATE	DESCRIPTION	TOMAR ELECTRONICS INC. 2100 WEST OBISPO GILBERT, ARIZONA 85233	 DRAWING NO. REV 14681 00 SHT OF 1
	T792HL-X EMITTER INSTALLATION PICTORIAL PARTS LIST AND WIRING DIAGRAM TOMAR PART NO: IS0586 FP 2411-X PC TE				