



STROBECOM II

4090-22-ST-IC-x

2-Head, 2- Direction, 2-Channel, 2-LED, Self-Test Detector with Integrated Confirmation



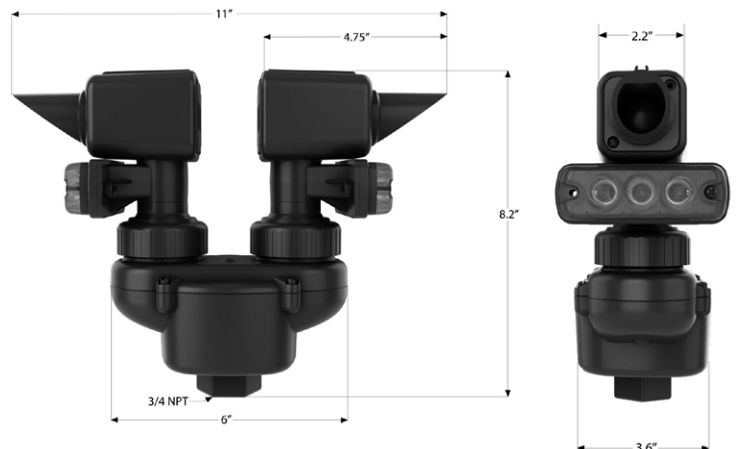
TOMAR's 4090-22-ST-IC-x STROBECOM II single direction self-test preemption detector with Integrated Confirmation includes two detector heads, one output channel, and two LED confirmation lights.

The 4090-22-ST-IC-x senses the optical pulses emitted by properly equipped emergency & transit vehicles. Mounted to observe an approach to an intersection, the 4090-22-ST-IC-x is used with TOMAR 4000V2 optical signal processors to inform the traffic control system and provide visual confirmation of the presence of designated vehicles that may affect normal traffic signal behavior.

The 4090-X-ST Series incorporate a self-test feature for true closed loop detector and wiring welfare monitoring. Each self-test detector includes a small infrared LED which periodically injects a special test signal into the detectors photo sensor. The 4140V2 Series OSPs receive the special test signal and therefore know that the detector is fully functional. Should a detector fail self-test a front panel indication and an entry in the OSP log indicate the problem.

TOMAR's Integrated Confirmation technology (US patent 8,742,946) allows powering and operation of the built-in LED confirmation light using only the Self-Test preemption detector cable. No additional mounting, power source, programming, or wiring are required.

- INTEGRATED CONFIRMATION technology provides low-cost, easily installed visual feedback of preemption to vehicle drivers and citizens.
- Tool-less swivel of detector head makes aiming easy
- Five colors of LED confirmation light available (Amber, Blue, Green, Red, and White)
- Sensor technology for sunlight rejection unmatched by any other system
- Fully encapsulated electronics for complete resistance to water, heat, and vibration
- Protected from mis-wiring and electrical transients
- Simple advance detector installation for detection around corners and over hills





STROBECOM II

Specifications

Item	Description
Maximum Detection Range	2500 feet minimum when used with 4000 series optical signal processor in clear atmospheric conditions
Maximum Cable Length	Up to 600 feet of TOMAR M913 preemption cable between optical signal processor and 4090-1-ST-IC-x
Field of View	13 degrees conical centered around viewport normal axis (typical)
Self-Testing Detectors	The 4090-X-ST-IC Series incorporate a self-test feature for true closed loop detector sensor and wiring welfare monitoring.
Cable Type	TOMAR model M913 preemption detector cable
Operating Temperature	-40 to +75 degrees C
Physical Construction	The 4090-22-ST-IC-x enclosure is black, glass filled, UV stabilized polyamide suitable for all weather use. All electronics circuitry is completely encapsulated in polyurethane for protection from shock, vibration, and moisture.
Mounting	The 4090-22-ST-IC-x is easily mounted using Self-Test hardware on either span wire or mast arm. The unit has a 3/4" female pipe mount hub and internal terminal block for connection to a 3/C shielded detector cable (TOMAR M913)

Ordering Info

Catalog Number	Description
4090-22-ST-IC-x	Two heads, two direction, two channel, two LED optical signal detector (x = confirmation light color A, B, G, R, or W)

TRUE 10 YEAR WARRANTY!

10 year warranty covers the 4000 Series and all STROBECOM II components. Unlike other manufacturers, TOMAR's ten year warranty has NO fees or charges for warranty repairs after five years.

NOTICE: The sale of these items are restricted to state and local governments and to be authorized distributors only.