



# Modern Lantern®

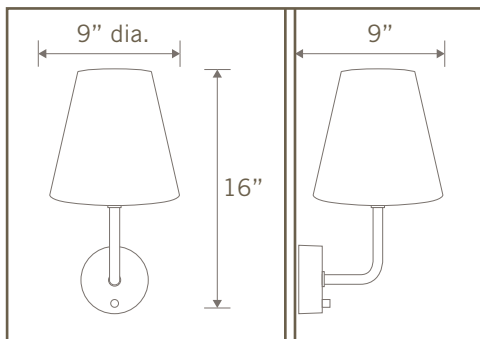
## EMILY CORDLESS WALL SCONCE

### GENERAL DESCRIPTION

- 9"W x 16"T x 9"D (out from wall)
- Metal body (available in various finishes)
- 5W, dimmable LED bulb (approx. 2700K)
- Linen shade with frosted acrylic diffuser
- Provides equivalent output as standard 50W bulb for 8+ hours on bright and up to 48+ hours fully dimmed. Recharges in approx. 2 hours.
- NOTE: THIS MINI BASED WALL LAMP USES A SMALLER BATTERY THAN OUR STANDARD LAMP

### DETAILS

- Overall: 9" wide x 16" tall x 9" deep (out from wall)
- Shade: 9" diameter (6" diameter at the top)
- Base: 5" diameter, 1.75" high
- Includes easy mounting bracket system
- Battery: 12V Li-Ion 2600mAh battery, includes UL listed wall charger
- Battery Life: 48+ hours per charge, 1,000+ cycles
- Charge Time: Approx. 2 hours
- Bulb: 5W 12V LED, 500 lumens, dimmable, 2700K, approx. 40,000 hrs. bulb life
- Weight: Approx. 4 pounds
- Designed in USA / Made in China
- UL/CUL, FCC, UN38.3 compliant
- Patented: [www.modernlantern.com/patents](http://www.modernlantern.com/patents)



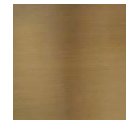
## EMILY CORDLESS WALL SCONCE

Metal in various finishes, linen shade  
9" W x 16" T x 9" D (out from wall)

**FINISH OPTIONS** (Custom finish options are possible, meeting minimums)



BRUSHED NICKEL



ANTIQUÉ BRASS



DARK BRONZE

CHECK WEBSITE FOR CURRENT RETAIL PRICING

[www.MODERNLANTERN.com](http://www.modernlantern.com)

Email: [info@modernlantern.com](mailto:info@modernlantern.com)

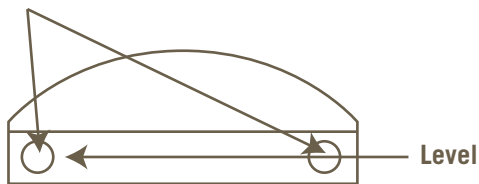
Ph: (682) 224-5351



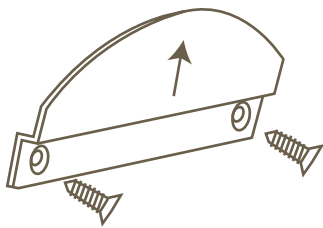
# Modern Lantern®

## EMILY CORDLESS WALL SCONCE - MOUNTING INSTRUCTIONS

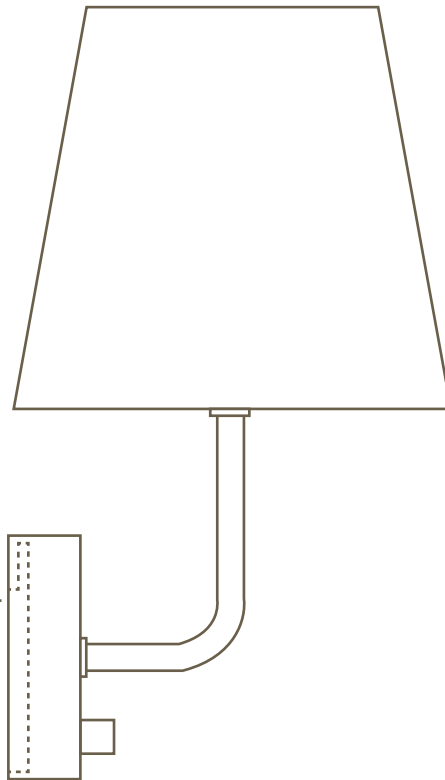
A) Mark Then Drill 2 Holes



B) Fasten Two Screws to Hold the Wall Plate to the Wall



C) Slide Down and Hang Sconce Against the Wall Plate (Flush & Secure)



**SIMPLE TO INSTALL.  
SIMPLE TO RECHARGE AND RE-MOUNT.  
FELT BACKED TO PROTECT YOUR WALL.**

CHECK WEBSITE FOR CURRENT RETAIL PRICING

[www.MODERNLANTERN.com](http://www.MODERNLANTERN.com)

Email: [info@modernlantern.com](mailto:info@modernlantern.com)

Ph: (682) 224-5351