



# Modern Lantern®

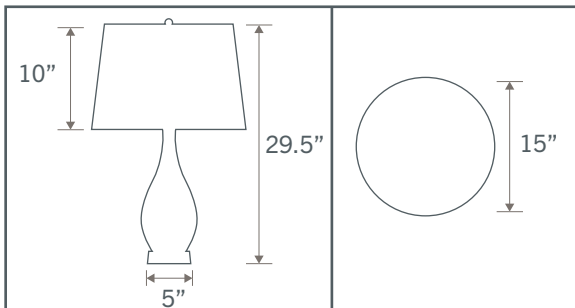
## INDOOR CORDLESS LAMP

### GENERAL DESCRIPTION

- 15" Dia. x 29.5"T
- Stoneware ceramic body in eggshell off white glaze
- Off white linen shade
- Metal finishes are nickel, ant. brass, or black
- INCLUDES rechargeable Li-Ion 12V battery, charger, and warm color value LED bulb
- Provides equivalent output as standard 45W bulb for 32+ hours on a full charge, but uses a fraction of the electricity.

### DETAILS

- Overall: 15" diameter, 29.5" high
- Shade: 15" diameter, 10" high
- Base: 7.75" diameter, 1.75" high
- Battery (1): Rechargeable 12V, 7000mAh Li-Ion, includes UL listed wall charger
- Battery Life: 32+ hours per charge, 750+ cycles
- Charge Time: Approx. 4 hours
- Bulb: 12V, 5W LED, approx. 450 lumens, 2700K, approx. 40,000 hrs. bulb life
- Weight: Approx. 10 pounds
- Designed in USA / Made in USA
- UL/CUL, FCC, UN38.3 compliant
- Patented: [www.modernlantern.com/patents](http://www.modernlantern.com/patents)



### AVA CORDLESS LAMP

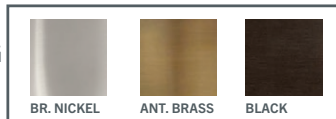
Ceramic body / Linen Shade  
15" Dia. x 29.5" T

#### GLAZE OPTIONS - IN STOCK



EGGSHELL

#### METAL BASE OPTIONS



BR. NICKEL

ANT. BRASS

BLACK

CHECK WEBSITE FOR CURRENT RETAIL PRICING

[www.MODERNLANTERN.com](http://www.MODERNLANTERN.com)

Email: [info@modernlantern.com](mailto:info@modernlantern.com)

Phone: (682) 224-5351