

CORDLESS LIGHTING SOLUTIONS



Modern Lantern®



Modern Lantern®

BEAUTIFUL & RECHARGEABLE LAMPS THAT GO ANYWHERE

A LIGHTING IDEA THAT IS SIMPLY BRILLIANT.

Our research and development team has combined technology with design to bring you a lighting product that will operate anywhere. No more unsightly cords. No unwanted wiring. No expensive electrician to retrofit extra outlets. Just beautiful light when and where it's needed most. And, all made possible with the simple, high performance, rechargeable battery system that comes with every lamp.

WHERE CAN YOU USE OUR LAMPS?

The greatest benefit to our **patented** design is that you can place a Modern Lantern wherever you like in or around your home or any space, indoor or out. Perfect for all those hard to light spaces from floating living room tables to poolside to dining to lobby!

Info on our in-stock line visit our online store?

www.modernlantern.com

Info on custom designs and becoming an industry partner?

www.modernlantern.com/pages/partners

MODERN LANTERN • 1500 northpark dr, suite 126 • fort worth, TX 76102

voice: (682) 224-5351 • e-mail: sales@modernlantern.com

Modern Lantern is the premier brand for cordless decorative lamps we design and manufacture. We are a privately held company centrally headquartered in Fort Worth, Texas.



**IN-STOCK
CORDLESS**



Modern Lantern®

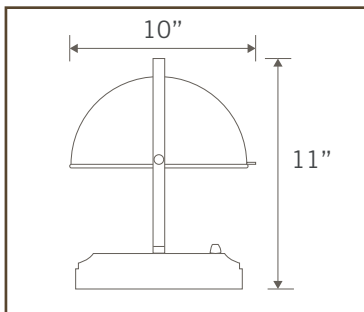
INDOOR CORDLESS LAMP

GENERAL DESCRIPTION

- 10" Dia. x 11"T
- Dark Antique Brass metal finish
- All metal construction with tilting dome top
- INCLUDES rechargeable Li-Ion 12V battery, charger, and warm color value LED bulb
- Provides equivalent output as standard 45W bulb for 32+ hours on a full charge, but uses a fraction of the electricity.

DETAILS

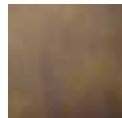
- Overall: 10" diameter, 11" height
- Shade: 8" diameter
- Base: 7.75" diameter, 1.75" high
- Battery (1): Rechargeable 12V, 7000mAh Li-Ion, includes UL listed wall charger
- Battery Life: 32+ hours per charge, 750+ cycles
- Charge Time: Approx. 4 hours
- Bulb: Dimmable 12V, 5W LED, approx. 450 lumens, 2700K, approx. 40,000 hrs. bulb life
- Weight: Approx. 5 pounds
- Designed in USA / Made in China
- UL/CUL, FCC, UN38.3 compliant
- Patented: www.modernlantern.com/patents



ABBEY CORDLESS LAMP

Metal finishes: Dark Ant. Brass
10" Dia. x 11" T

FINISH



DARK ANT. BRASS

CHECK WEBSITE FOR CURRENT RETAIL PRICING

www.MODERNLANTERN.com

Email: info@modernlantern.com

Phone: (682) 224-5351



Modern Lantern®

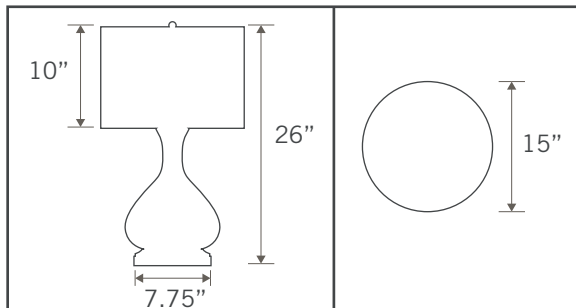
INDOOR CORDLESS LAMP

GENERAL DESCRIPTION

- 15" Dia. x 26"T
- Stoneware ceramic body (various glazes in-stock)
- Off white linen shade
- Metal finishes are nickel, ant. brass, or black
- INCLUDES rechargeable Li-Ion 12V battery, charger, and warm color value LED bulb
- Provides equivalent output as standard 45W bulb for 32+ hours on a full charge, but uses a fraction of the electricity.

DETAILS

- Overall: 15" diameter, 26" high
- Shade: 15" diameter, 10" high
- Base: 7.75" diameter, 1.75" high
- Battery (1): Rechargeable 12V, 7000mAh Li-Ion, includes UL listed wall charger
- Battery Life: 32+ hours per charge, 750+ cycles
- Charge Time: Approx. 4 hours
- Bulb: 12V, 5W LED, approx. 450 lumens, 2700K, approx. 40,000 hrs. bulb life
- Weight: Approx. 10 pounds
- Designed in USA / Made in USA
- UL/CUL, FCC, UN38.3 compliant
- Patented: www.modernlantern.com/patents



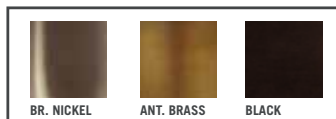
BARTLETT CORDLESS LAMP

Ceramic body / Linen Shade
15" Dia. x 26" T

GLAZE OPTIONS - IN STOCK



METAL BASE OPTIONS



CHECK WEBSITE FOR CURRENT RETAIL PRICING

WWW.MODERNLANTERN.COM

Email: info@modernlantern.com

Phone: (682) 224-5351



Modern Lantern®

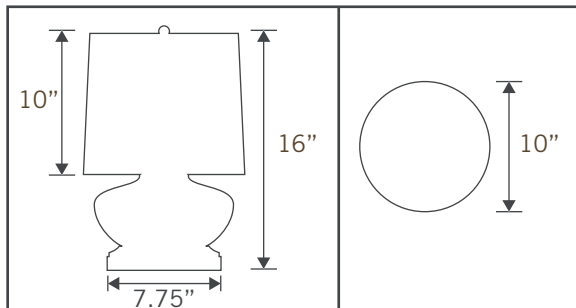
INDOOR CORDLESS LAMP

GENERAL DESCRIPTION

- 10" Dia. x 16"T
- Stoneware ceramic body (various glazes in-stock)
- Off white linen shade
- Metal finishes are nickel, ant. brass, or black
- INCLUDES rechargeable Li-Ion 12V battery, charger, and warm color value LED bulb
- Provides equivalent output as standard 45W bulb for 32+ hours on a full charge, but uses a fraction of the electricity.

DETAILS

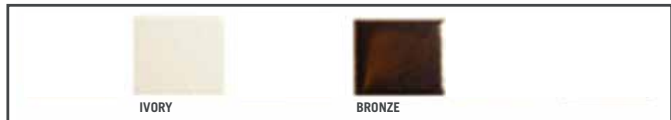
- Overall: 10" diameter, 16" high
- Shade: 10" diameter, 8" high
- Base: 7.75" diameter, 1.75" high
- Battery (1): Rechargeable 12V, 7000mAh Li-Ion, includes UL listed wall charger
- Battery Life: 32+ hours per charge, 750+ cycles
- Charge Time: Approx. 4 hours
- Bulb: 12V, 5W LED, approx. 450 lumens, 2700K, approx. 40,000 hrs. bulb life
- Weight: Approx. 7 pounds
- Designed in USA / Made in USA
- UL/CUL, FCC, UN38.3 compliant
- Patented: www.modernlantern.com/patents



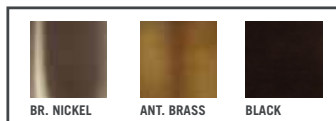
BELLA CORDLESS LAMP

Ceramic body / Linen Shade
10" Dia. x 16" T

GLAZE OPTIONS - IN STOCK



METAL BASE OPTIONS



CHECK WEBSITE FOR CURRENT RETAIL PRICING

WWW.MODERNLANTERN.COM

Email: info@modernlantern.com

Phone: (682) 224-5351



Modern Lantern®

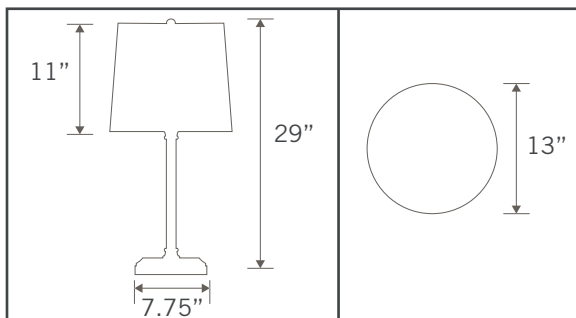
OUTDOOR CORDLESS LAMP

GENERAL DESCRIPTION

- 13" Dia. x 29"T
- Antique dark bronze finished metal base with outdoor off white linen shade
- INCLUDES rechargeable Li-Ion 12V battery, charger, and warm color value LED bulb
- Provides equivalent output as standard 45W bulb for 32+ hours on a full charge, but uses a fraction of the electricity.

DETAILS

- Overall: 13" diameter, 29" high
- Shade: 13" diameter, 11" high
- Base: 7.75" diameter, 1.75" high
- Battery (1): Rechargeable 12V, 7000mAh Li-Ion, includes UL listed wall charger
- Battery Life: 32+ hours per charge, 750+ cycles
- Charge Time: Approx. 4 hours
- Bulb: 12V, 5W LED, approx. 450 lumens, 2700K, approx. 40,000 hrs. bulb life
- Weight: Approx. 8 pounds
- Designed in USA / Made in China
- UL/CUL, FCC, UN38.3 compliant, UL Wet Rated
- Patented: www.modernlantern.com/patents



CAPRI OUTDOOR CORDLESS LAMP

Bronze Metal / Off White Linen
13" Dia. x 29" T

CHECK WEBSITE FOR CURRENT RETAIL PRICING

WWW.MODERNLANTERN.com



DARK BRONZE

Email: info@modernlantern.com

Phone: (682) 224-5351



Modern Lantern®

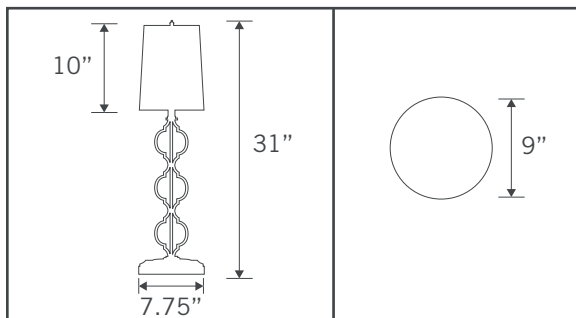
INDOOR CORDLESS LAMP

GENERAL DESCRIPTION

- 9" Dia. x 31"T
- Antique silver base with warm bronze rub finished metal base with an off white fabric buffet shade
- INCLUDES rechargeable Li-Ion 12V battery, charger, and warm color value LED bulb
- Provides equivalent output as standard 45W bulb for 32+ hours on a full charge, but uses a fraction of the electricity.

DETAILS

- Overall: 9" diameter, 31" high
- Shade: 9" diameter, 10" high
- Base: 7.75" diameter, 1.75" high
- Battery (1): Rechargeable 12V, 7000mAh Li-Ion, includes UL listed wall charger
- Battery Life: 32+ hours per charge, 750+ cycles
- Charge Time: Approx. 4 hours
- Bulb: 12V, 5W LED, approx. 450 lumens, 2700K, approx. 40,000 hrs. bulb life
- Weight: Approx. 10 pounds
- Designed in USA / Made in China
- UL/CUL, FCC, UN38.3 compliant
- Patented: www.modernlantern.com/patents



CLOVE BUFFET CORDLESS LAMP

Champagne Silver / Off-White Fabric
9" Dia. x 31" T

CHECK WEBSITE FOR CURRENT RETAIL PRICING

www.MODERNLANTERN.com

METAL FINISH OPTIONS



Email: info@modernlantern.com

Phone: (682) 224-5351



Modern Lantern®

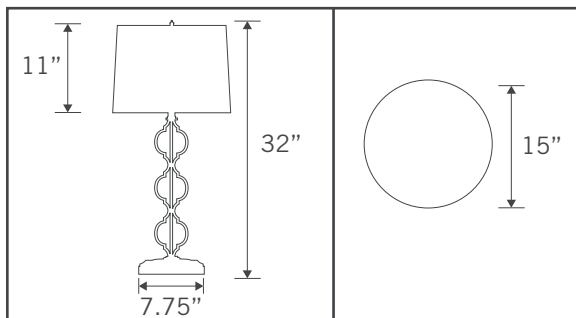
INDOOR CORDLESS LAMP

GENERAL DESCRIPTION

- 15" Dia. x 32"T
- Antique silver base with warm bronze rub finished metal base with an off white fabric buffet shade
- INCLUDES rechargeable Li-Ion 12V battery, charger, and warm color value LED bulb
- Provides equivalent output as standard 45W bulb for 32+ hours on a full charge, but uses a fraction of the electricity.

DETAILS

- Overall: 15" diameter, 32" high
- Shade: 15" diameter, 11" high
- Base: 7.75" diameter, 1.75" high
- Battery (1): Rechargeable 12V, 7000mAh Li-Ion, includes UL listed wall charger
- Battery Life: 32+ hours per charge, 750+ cycles
- Charge Time: Approx. 4 hours
- Bulb: 12V, 5W LED, approx. 450 lumens, 2700K, approx. 40,000 hrs. bulb life
- Weight: Approx. 10 pounds
- Designed in USA / Made in China
- UL/CUL, FCC, UN38.3 compliant
- Patented: www.modernlantern.com/patents



CLOVE TABLE CORDLESS LAMP

Champagne Silver / Off-White Fabric
15" Dia. x 32" T

CHECK WEBSITE FOR CURRENT RETAIL PRICING

www.MODERNLANTERN.com

METAL FINISH OPTIONS



Email: info@modernlantern.com

Phone: (682) 224-5351



Modern Lantern®

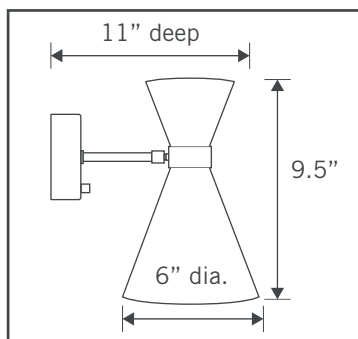
CORDLESS WALL LAMP

GENERAL DESCRIPTION

- 6"W x 9.5"T x 11"D (out from wall)
- Metal body - Antique Brass or Black or Combinations
- 5W, dimmable LED bulb and 1W integrated at top
- Metal shade on top and bottom
- INCLUDES rechargeable Li-Ion 12V battery, charger, and warm color value LED bulb
- Provides equivalent output as standard 45W bulb for 8+ hours on high or up to 48+ hours on low

DETAILS

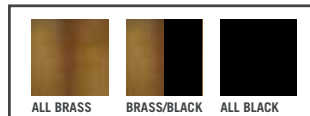
- 6"W x 9.5"T x 11"D (out from wall)
- Shade: 6" diameter
- Base: 5" diameter, 1.75" high
- Battery Life: Up to 48+ hours (dimmed) per charge
- Charge Time: Approx. 2 hours
- Bulb: 5W 12V LED, 450 lumens, dimmable, 2700K with an integrated 1W LED up top
- Weight: Approx. 4 pounds
- Designed in USA / Made in China
- UL/CUL, FCC, UN38.3 compliant
- Patented: www.modernlantern.com/patents



EMERSON WALL SCONCE

Metal Body w/ Metal Shade Options
6" Dia. x 9.5" T

FINISH OPTIONS (BASE AND SHADE COMBINATIONS)



CHECK WEBSITE FOR CURRENT RETAIL PRICING

www.MODERNLANTERN.com

Email: info@modernlantern.com

Phone: (682) 224-5351



Modern Lantern®

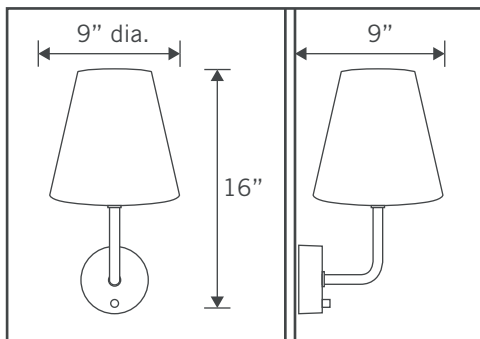
CORDLESS WALL LAMP

GENERAL DESCRIPTION

- 9"W x 16"T x 9"D (out from wall)
- Metal body (various finishes)
- 5W, dimmable LED bulb
- Linen shade on top
- INCLUDES rechargeable Li-Ion 12V battery, charger, and warm color value LED bulb
- Provides equivalent output as standard 45W bulb for 8+ hours on high or up to 48+ hours on low

DETAILS

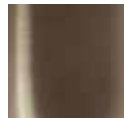
- 9"W x 16"T x 9"D (out from wall)
- Shade: 9" diameter
- Base: 5" diameter, 1.75" high
- Battery: 12V Li-Ion 2600mAh battery, includes UL listed wall charger
- Battery Life: Up to 48+ hours (dimmed) per charge
- Charge Time: Approx. 2 hours
- Bulb: 5W 12V LED, 450 lumens, dimmable, 2700K
- Weight: Approx. 3 pounds
- Designed in USA / Made in China
- UL/CUL, FCC, UN38.3 compliant
- Patented: www.modernlantern.com/patents



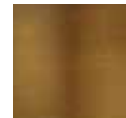
EMILY WALL SCONCE

Metal in Various Finishes, Linen Shade
9" W x 16" T x 9" D (out from wall)

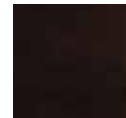
FINISH OPTIONS (Custom finish options are possible, meeting minimums)



BRUSHED NICKEL



ANTIQUÉ BRASS



DARK BRONZE

CHECK WEBSITE FOR CURRENT RETAIL PRICING

[www.MODERNLANTERN.com](http://www.modernlantern.com)

Email: info@modernlantern.com

Ph: (682) 224-5351



Modern Lantern®

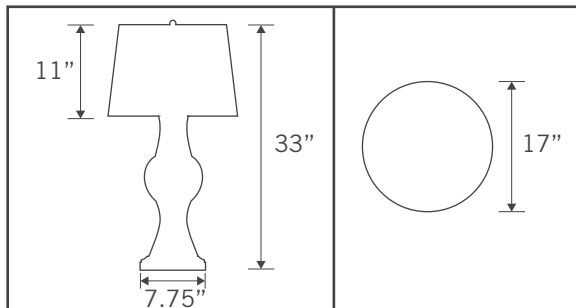
INDOOR CORDLESS LAMP

GENERAL DESCRIPTION

- 17" Dia. x 33"T
- Stoneware ceramic body, eggshell crackle glaze
- Off white linen shade
- Metal finishes are nickel, ant. brass, or black
- INCLUDES rechargeable Li-Ion 12V battery, charger, and warm color value LED bulb
- Provides equivalent output as standard 45W bulb for 32+ hours on a full charge, but uses a fraction of the electricity.

DETAILS

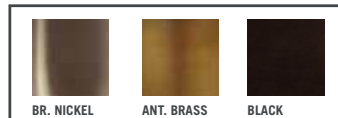
- Overall: 15" diameter, 33" high
- Shade: 17" diameter, 11" high
- Base: 7.75" diameter, 1.75" high
- Battery (1): Rechargeable 12V, 7000mAh Li-Ion, includes UL listed wall charger
- Battery Life: 32+ hours per charge, 750+ cycles
- Charge Time: Approx. 4 hours
- Bulb: 12V, 5W LED, approx. 450 lumens, 2700K, approx. 40,000 hrs. bulb life
- Weight: Approx. 12 pounds
- Designed in USA / Made in USA
- UL/CUL, FCC, UN38.3 compliant
- Patented: www.modernlantern.com/patents



JAMISON CORDLESS LAMP

Ceramic body / Linen Shade
17" Dia. x 33" T

METAL BASE OPTIONS



CHECK WEBSITE FOR CURRENT RETAIL PRICING

www.MODERNLANTERN.com

Email: info@modernlantern.com

Phone: (682) 224-5351



Modern Lantern®

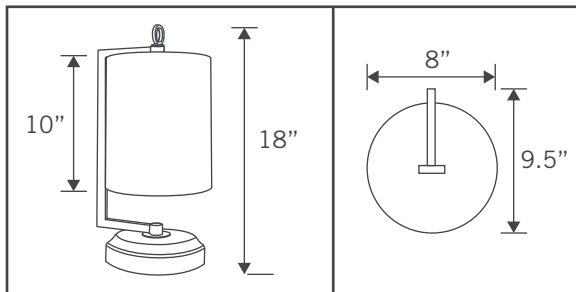
INDOOR CORDLESS LAMP

GENERAL DESCRIPTION

- 9.5" Dia. x 18"T
- Dark Antique Brass finish with an off-white linen fabric drum shade
- INCLUDES rechargeable Li-Ion 12V battery, charger, and warm color value LED bulb
- Provides equivalent output as standard 45W bulb for 32+ hours on a full charge, but uses a fraction of the electricity.

DETAILS

- Overall: 9.5" diameter, 18" high
- Shade: 8" diameter, 10" high
- Base: 7.75" diameter, 1.75" high
- Battery (1): Rechargeable 12V, 7000mAh Li-Ion, includes UL listed wall charger
- Battery Life: 32+ hours per charge, 750+ cycles
- Charge Time: Approx. 4 hours
- Bulb: Dimmable 12V, 5W LED, approx. 450 lumens, 2700K, approx. 40,000 hrs. bulb life
- Weight: Approx. 7 pounds
- Designed in USA / Made in USA
- UL/CUL, FCC, UN38.3 compliant
- Patented: www.modernlantern.com/patents



JYNN CORDLESS LAMP

Dark Antique Brass with Off-White Shade
9.5" Dia. x 18" T



DARK ANT. BRASS

CHECK WEBSITE FOR CURRENT RETAIL PRICING

www.MODERNLANTERN.com

Email: info@modernlantern.com

Phone: (682) 224-5351



Modern Lantern®

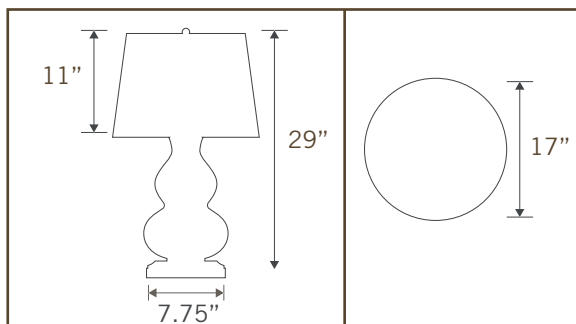
INDOOR CORDLESS LAMP

GENERAL DESCRIPTION

- 17" Dia. x 29"T
- Stoneware ceramic body
- Off white linen shade
- Metal finishes are nickel, ant. brass, or black
- INCLUDES rechargeable Li-Ion 12V battery, charger, and warm color value LED bulb
- Provides equivalent output as standard 45W bulb for 32+ hours on a full charge, but uses a fraction of the electricity.

DETAILS

- Overall: 17" diameter, 29" high
- Shade: 17" diameter, 11" high
- Base: 7.75" diameter, 1.75" high
- Battery (1): Rechargeable 12V, 7000mAh Li-Ion, includes UL listed wall charger
- Battery Life: 32+ hours per charge, 750+ cycles
- Charge Time: Approx. 4 hours
- Bulb: 12V, 5W LED, approx. 450 lumens, 2700K, approx. 40,000 hrs. bulb life
- Weight: Approx. 12 pounds
- Designed in USA / Made in USA
- UL/CUL, FCC, UN38.3 compliant
- Patented: www.modernlantern.com/patents



MARILYN CORDLESS LAMP

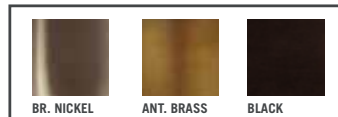
Ceramic body / Linen Shade
17" Dia. x 29" T

GLAZE - IN STOCK



IVORY

METAL BASE OPTIONS



BR. NICKEL

ANT. BRASS

BLACK

CHECK WEBSITE FOR CURRENT RETAIL PRICING

WWW.MODERNLANTERN.com

Email: info@modernlantern.com

Phone: (682) 224-5351



Modern Lantern®

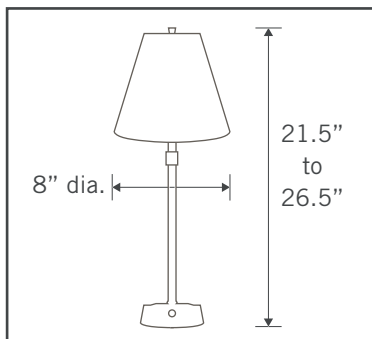
CORDLESS MINI BUFFET

GENERAL DESCRIPTION

- 8" Dia. x 21.5 - 26.5"T
- Metal body - Various Finishes, Linen Shade
- 3W, dimmable LED bulb (approx. 2700K)
- Linen shade with frosted acrylic diffuser
- INCLUDES 1 rechargeable Li-Ion 12V battery , charger, and integrated LED bulb
- Provides equivalent output as standard 35W bulb for 18+ hours on a full charge, 40+ hours fully dimmed. Recharges in approx. 2 hours.

DETAILS

- Overall: 8" Dia. x 21.5 - 26.5"T
- Shade: 8" diameter
- Base: 5" diameter, 1.75" high
- Battery (1): 12V Li-Ion 2600mAh battery, includes UL listed wall charger
- Battery Life: 18+ hours per charge, 500+ cycles
- Charge Time: Approx. 2 hours
- Bulb: Integrated 3W 12V LED, 350 lumens, dimmable, 2700K, approx. 50,000 hrs. bulb life
- Weight: Approx. 4 pounds
- Designed in USA / Made in China
- UL/CUL, FCC, UN38.3 compliant
- Patented: www.modernlantern.com/patents



MINI BUFFET CORDLESS LAMP

Various Metal Finish Options
6" Dia. x 21.5 - 26.5 " T



BRUSHED NICKEL



ANTIQUE BRASS



BLACK

CHECK WEBSITE FOR CURRENT RETAIL PRICING

www.MODERNLANTERN.com

Email: info@modernlantern.com

Phone: (682) 224-5351



Modern Lantern®

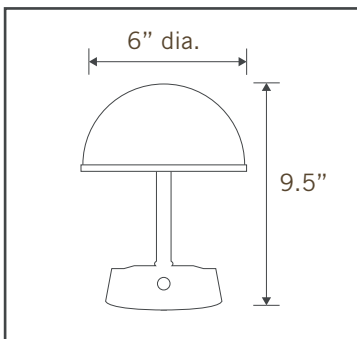
CORDLESS MINI LAMP

GENERAL DESCRIPTION

- 6" Dia. x 9.5"T
- Metal body (antique brass finish)
- 3W, dimmable LED bulb (approx. 2700K)
- Globe is alabaster glass (or tortoise shell option)
- INCLUDES 2 rechargeable Li-Ion 12V batteries, charger, and integrated LED bulb
- Provides equivalent output as standard 35W bulb for 18+ hours on a full charge, 40+ hours fully dimmed. Recharges in approx. 2 hours.

DETAILS

- Overall: 6" diameter, 9.5" height
- Shade: 6" diameter
- Base: 5" diameter, 1.75" high
- Battery (2): 12V Li-Ion 2600mAh batteries, includes UL listed wall charger
- Battery Life: 18+ hours per charge, 500+ cycles
- Charge Time: Approx. 2 hours
- Bulb: Integrated 3W 12V LED, 350 lumens, dimmable, 2700K, approx. 50,000 hrs. bulb life
- Weight: Approx. 2.5 pounds
- Designed in USA / Made in China
- UL/CUL, FCC, UN38.3 compliant
- Patented: www.modernlantern.com/patents



MINI ART DECO CORDLESS LAMP

Metal in Ant. Brass with Alabaster Glass
6" Dia. x 9.5" T

IN-STOCK SHADE OPTION



TORTOISE GLASS SHADE

CHECK WEBSITE FOR CURRENT RETAIL PRICING

www.MODERNLANTERN.com

Email: info@modernlantern.com

Phone: (682) 224-5351



Modern Lantern®

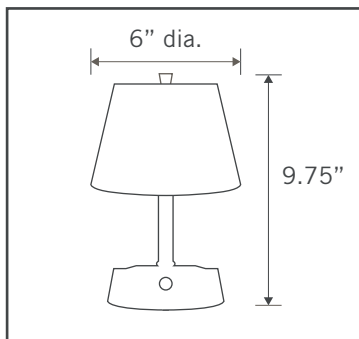
CORDLESS MINI LAMP

GENERAL DESCRIPTION

- 6" Dia. x 9.75"T
- Metal body - Antique Brass
- 3W, dimmable LED bulb (approx. 2700K)
- Metal shade with frosted acrylic diffuser
- INCLUDES 2 rechargeable Li-Ion 12V batteries, charger, and integrated LED bulb
- Provides equivalent output as standard 35W bulb for 18+ hours on a full charge, 40+ hours fully dimmed. Recharges in approx. 2 hours.

DETAILS

- Overall: 6" diameter, 9.75" height
- Shade: 6" diameter
- Base: 5" diameter, 1.75" high
- Battery (2): 12V Li-Ion 2600mAh batteries, includes UL listed wall charger
- Battery Life: 18+ hours per charge, 500+ cycles
- Charge Time: Approx. 2 hours
- Bulb: Integrated 3W 12V LED, 350 lumens, dimmable, 2700K, approx. 50,000 hrs. bulb life
- Weight: Approx. 2 pounds
- Designed in USA / Made in China
- UL/CUL, FCC, UN38.3 compliant
- Patented: www.modernlantern.com/patents



MINI METAL CORDLESS LAMP

Antique Brass Finish w/ Metal Shade
6" Dia. x 9.75" T

IN-STOCK SHADE OPTIONS (Custom shades are possible, meeting minimums)



OFF-WHITE LINEN SHADE



WHITE PLEATED SHADE

CHECK WEBSITE FOR CURRENT RETAIL PRICING

www.MODERNLANTERN.com

Email: info@modernlantern.com

Phone: (682) 224-5351



Modern Lantern®

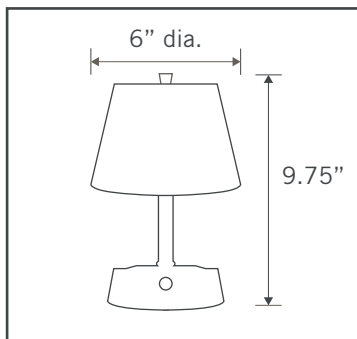
CORDLESS MINI LAMP

GENERAL DESCRIPTION

- 6" Dia. x 9.75"T
- Metal body - Brushed Nickel
- 3W, dimmable LED bulb (approx. 2700K)
- Metal shade with frosted acrylic diffuser
- INCLUDES 2 rechargeable Li-Ion 12V batteries, charger, and integrated LED bulb
- Provides equivalent output as standard 35W bulb for 18+ hours on a full charge, 40+ hours fully dimmed. Recharges in approx. 2 hours.

DETAILS

- Overall: 6" diameter, 9.75" height
- Shade: 6" diameter
- Base: 5" diameter, 1.75" high
- Battery (2): 12V Li-Ion 2600mAh batteries, includes UL listed wall charger
- Battery Life: 18+ hours per charge, 500+ cycles
- Charge Time: Approx. 2 hours
- Bulb: Integrated 3W 12V LED, 350 lumens, dimmable, 2700K, approx. 50,000 hrs. bulb life
- Weight: Approx. 2 pounds
- Designed in USA / Made in China
- UL/CUL, FCC, UN38.3 compliant
- Patented: www.modernlantern.com/patents



MINI METAL CORDLESS LAMP
Brushed Nickel Finish w/ Metal Shade
6" Dia. x 9.75" T

IN-STOCK SHADE OPTIONS (Custom shades are possible, meeting minimums)



OFF-WHITE LINEN SHADE



WHITE PLEATED SHADE

CHECK WEBSITE FOR CURRENT RETAIL PRICING

www.MODERNLANTERN.com

Email: info@modernlantern.com

Phone: (682) 224-5351



Modern Lantern®

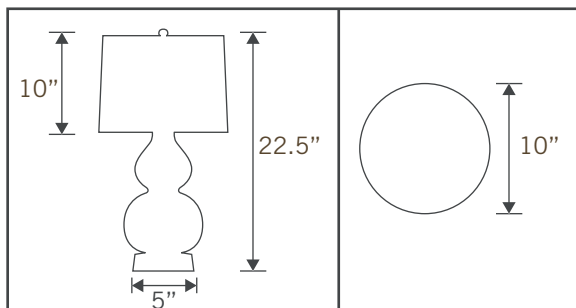
INDOOR CORDLESS LAMP

GENERAL DESCRIPTION

- 10" Dia. x 20.5"T
- Stoneware ceramic body (various glazes in-stock)
- Off white linen shade
- Metal finishes are nickel, ant. brass, or black
- INCLUDES rechargeable Li-Ion 12V battery, charger, and warm color value LED bulb
- Provides equivalent output as standard 45W bulb for 8+ hours on high or up to 48+ on low

DETAILS

- Overall: 10" diameter, 22.5" high
- Shade: 10" diameter, 8" high
- Base: 5" diameter, 1.75" high
- Battery (1): Rechargeable 12V, 2600mAh Li-Ion, includes UL listed wall charger
- Battery Life: 48+ hours per charge, 750+ cycles
- Charge Time: Approx. 2 hours
- Bulb: 12V, 5W LED, approx. 450 lumens, 2700K, approx. 40,000 hrs. bulb life
- Weight: Approx. 6 pounds
- Designed in USA / Made in USA
- UL/CUL, FCC, UN38.3 compliant
- Patented: www.modernlantern.com/patents



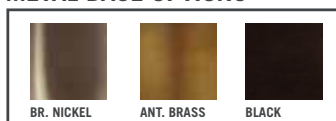
NORMA JEAN CORDLESS LAMP

Ceramic body / Linen Shade
10" Dia. x 16" T

GLAZE OPTIONS - IN STOCK



METAL BASE OPTIONS



CHECK WEBSITE FOR CURRENT RETAIL PRICING

WWW.MODERNLANTERN.COM

Email: info@modernlantern.com

Phone: (682) 224-5351



Modern Lantern®

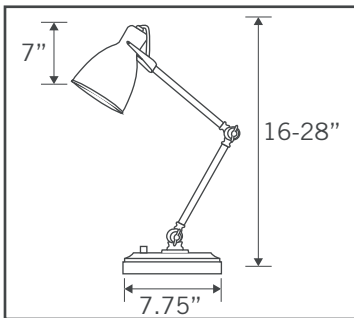
CORDLESS DESK LAMP

GENERAL DESCRIPTION

- 7.75" Dia. x 16-28"T (adjustable in center)
- Matte Black finished metal body and shade
- INCLUDES rechargeable Li-Ion 12V battery, charger, and warm color value LED bulb
- Provides equivalent output as standard 45W bulb for 32+ hours on a full charge, but uses a fraction of the electricity.

DETAILS

- Overall: 7.75" diameter, 16-28" adjustable height
- Shade (tilts): 5" diameter, 7" high
- Base: 7.75" diameter, 1.75" high
- Battery (1): Rechargeable 12V, 7000mAh Li-Ion, includes UL listed wall charger
- Battery Life: 32+ hours per charge, 750+ cycles
- Charge Time: Approx. 4 hours
- Bulb: 12V, 5W LED, approx. 450 lumens, 2700K, approx. 40,000 hrs. bulb life
- Weight: Approx. 7 pounds
- Designed in USA / Made in China
- UL/CUL, FCC, UN38.3 compliant, UL Wet Rated
- Patented: www.modernlantern.com/patents



ONYX CORDLESS TASK LAMP

Black Metal

7.75" Dia. x 16-28" T

CHECK WEBSITE FOR CURRENT RETAIL PRICING

www.MODERNLANTERN.com



BLACK

Email: info@modernlantern.com

Phone: (682) 224-5351



Modern Lantern®

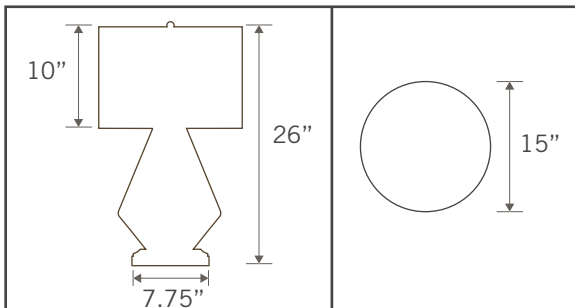
INDOOR CORDLESS LAMP

GENERAL DESCRIPTION

- 15" Dia. x 26"T
- Stoneware ceramic body (various glazes in-stock)
- Off white linen shade
- Metal finishes are nickel, ant. brass, or black
- INCLUDES rechargeable Li-Ion 12V battery, charger, and warm color value LED bulb
- Provides equivalent output as standard 45W bulb for 32+ hours on a full charge, but uses a fraction of the electricity.

DETAILS

- Overall: 15" diameter, 26" high
- Shade: 15" diameter, 10" high
- Base: 7.75" diameter, 1.75" high
- Battery (1): Rechargeable 12V, 7000mAh Li-Ion, includes UL listed wall charger
- Battery Life: 32+ hours per charge, 750+ cycles
- Charge Time: Approx. 4 hours
- Bulb: 12V, 5W LED, approx. 450 lumens, 2700K, approx. 40,000 hrs. bulb life
- Weight: Approx. 10 pounds
- Designed in USA / Made in USA
- UL/CUL, FCC, UN38.3 compliant
- Patented: www.modernlantern.com/patents



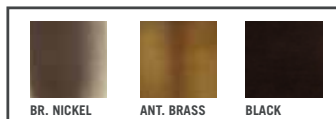
PRISMA CORDLESS LAMP

Ceramic body / Linen Shade
15" Dia. x 26" T

GLAZE OPTIONS - IN STOCK



METAL BASE OPTIONS



CHECK WEBSITE FOR CURRENT RETAIL PRICING

WWW.MODERNLANTERN.COM

Email: info@modernlantern.com

Phone: (682) 224-5351



Modern Lantern®

NEEDING A CUSTOM CORDLESS LAMP FOR YOUR PROJECTS?

WE CAN DESIGN, DEVELOP, AND DELIVER!

For those medium to large scale projects where you or your client requires something special, we can work on this together. From orders as small as 20 pieces with our Made in the USA ceramics all the way to very large scale commercial applications (FOB China), so let's get together to solve those lighting dilemmas everywhere!

MEDIUM TO LARGE VOLUME... CUSTOM?

Step 1 • Let's first get you setup as an official industry partner

Sign up at: www.modernlantern.com/pages/partners

Step 2 • Our sales team will reach out to you ASAP to review your needs, or reach out by contacting us below.

Step 3 • We will request a custom design worksheet from you and then get started on your cordless lighting project needs.

Any questions on custom? Feel free to contact us at:
ph: (682) 224-5351 or Email: sales@modernlantern.com



Modern Lantern®

CUSTOM CORDLESS LAMP DEVELOPMENT WORKSHEET

WE CAN DESIGN, DEVELOP, AND DELIVER!

For those medium to large scale projects where you or your client requires something special, we can work on this together. From orders as small as 20 pieces with our Made in the USA ceramics all the way to very large scale commercial applications (via FOB China), let's get together to solve those lighting dilemmas everywhere!

LET'S GET STARTED! FILL US IN ON THE PROJECT AND EMAIL BACK TO: STEPHEN@MODERNLANTERN.COM

- Purchasing contact email
- Designer email
- Quantity
- Budget per unit
- Delivery date expected
- Shipping destination (within the USA?)
- Where specifically is product being used
 - Does it need to be wet or damp rated
- List any lighting specifications required
- Describe the functional needs of cordless lighting fixture
- Approx. size of fixture
- Approx. output of light expected
- Do you require our in-house design? or have your own we can work with?
- Require sample/prototype? If so, list details
- Material, finish, detail, description (can include sketch or drawing)

GENERAL TERMS: We require 50% deposit upon approved design and final pricing/contract. Balance due prior to shipping. Client's sign off is required for design approval, then once deposit is received, approval again on final sample prior to starting production. Lead time varies from 60-120 days (once sample is approved) dependent on quantities, materials, capacity, country of origin, etc. Absolutely NO refunds on booked production once sample is signed off on.

Any questions • Feel free to contact us at: (682) 224-5351 or Email: stephen@modernlantern.com