



Modern Lantern®

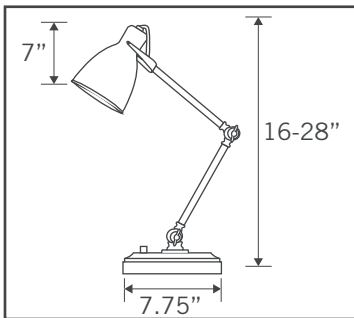
CORDLESS DESK LAMP

GENERAL DESCRIPTION

- 7.75" Dia. x 16-28"T (adjustable in center)
- Matte Black finished metal body and shade
- INCLUDES rechargeable Li-Ion 12V battery, charger, and warm color value LED bulb
- Provides equivalent output as standard 45W bulb for 32+ hours on a full charge, but uses a fraction of the electricity.

DETAILS

- Overall: 7.75" diameter, 16-28" adjustable height
- Shade (tilts): 5" diameter, 7" high
- Base: 7.75" diameter, 1.75" high
- Battery (1): Rechargeable 12V, 7000mAh Li-Ion, includes UL listed wall charger
- Battery Life: 32+ hours per charge, 750+ cycles
- Charge Time: Approx. 4 hours
- Bulb: 12V, 5W LED, approx. 450 lumens, 2700K, approx. 40,000 hrs. bulb life
- Weight: Approx. 7 pounds
- Designed in USA / Made in China
- UL/CUL, FCC, UN38.3 compliant, UL Wet Rated
- Patented: www.modernlantern.com/patents



ONYX CORDLESS TASK LAMP

Black Metal

7.75" Dia. x 16-28" T

CHECK WEBSITE FOR CURRENT RETAIL PRICING

www.MODERNLANTERN.com



BLACK

Email: info@modernlantern.com

Phone: (682) 224-5351