



Modern Lantern®

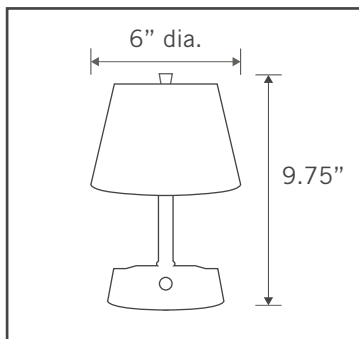
CORDLESS MINI LAMP

GENERAL DESCRIPTION

- 6" Dia. x 9.75"T
- Metal body - Brushed Nickel
- 3W, dimmable LED bulb (approx. 2700K)
- Metal shade with frosted acrylic diffuser
- INCLUDES 2 rechargeable Li-Ion 12V batteries, charger, and integrated LED bulb
- Provides equivalent output as standard 35W bulb for 18+ hours on a full charge, 40+ hours fully dimmed. Recharges in approx. 2 hours.

DETAILS

- Overall: 6" diameter, 9.75" height
- Shade: 6" diameter
- Base: 5" diameter, 1.75" high
- Battery (2): 12V Li-Ion 2600mAh batteries, includes UL listed wall charger
- Battery Life: 18+ hours per charge, 500+ cycles
- Charge Time: Approx. 2 hours
- Bulb: Integrated 3W 12V LED, 350 lumens, dimmable, 2700K, approx. 50,000 hrs. bulb life
- Weight: Approx. 2 pounds
- Designed in USA / Made in China
- UL/CUL, FCC, UN38.3 compliant
- Patented: www.modernlantern.com/patents



MINI METAL CORDLESS LAMP
Brushed Nickel Finish w/ Metal Shade
6" Dia. x 9.75" T

IN-STOCK SHADE OPTIONS (Custom shades are possible, meeting minimums)



OFF-WHITE LINEN SHADE



WHITE PLEATED SHADE

CHECK WEBSITE FOR CURRENT RETAIL PRICING

www.MODERNLANTERN.com

Email: info@modernlantern.com

Phone: (682) 224-5351