



Modern Lantern®

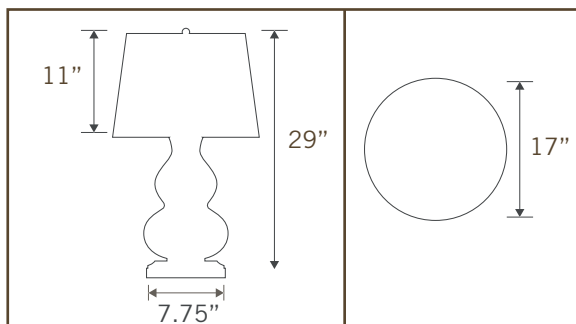
INDOOR CORDLESS LAMP

GENERAL DESCRIPTION

- 17" Dia. x 29"T
- Stoneware ceramic body
- Off white linen shade
- Metal finishes are nickel, ant. brass, or black
- INCLUDES rechargeable Li-Ion 12V battery, charger, and warm color value LED bulb
- Provides equivalent output as standard 45W bulb for 32+ hours on a full charge, but uses a fraction of the electricity.

DETAILS

- Overall: 17" diameter, 29" high
- Shade: 17" diameter, 11" high
- Base: 7.75" diameter, 1.75" high
- Battery (1): Rechargeable 12V, 7000mAh Li-Ion, includes UL listed wall charger
- Battery Life: 32+ hours per charge, 750+ cycles
- Charge Time: Approx. 4 hours
- Bulb: 12V, 5W LED, approx. 450 lumens, 2700K, approx. 40,000 hrs. bulb life
- Weight: Approx. 12 pounds
- Designed in USA / Made in USA
- UL/CUL, FCC, UN38.3 compliant
- Patented: www.modernlantern.com/patents



MARILYN CORDLESS LAMP

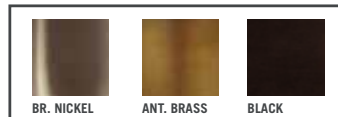
Ceramic body / Linen Shade
17" Dia. x 29" T

GLAZE - IN STOCK



IVORY

METAL BASE OPTIONS



BR. NICKEL

ANT. BRASS

BLACK

CHECK WEBSITE FOR CURRENT RETAIL PRICING

WWW.MODERNLANTERN.com

Email: info@modernlantern.com

Phone: (682) 224-5351