



# Modern Lantern®

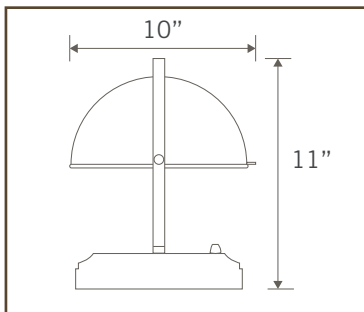
## INDOOR CORDLESS LAMP

### GENERAL DESCRIPTION

- 10" Dia. x 11"T
- Dark Antique Brass metal finish
- All metal construction with tilting dome top
- INCLUDES rechargeable Li-Ion 12V battery, charger, and warm color value LED bulb
- Provides equivalent output as standard 45W bulb for 32+ hours on a full charge, but uses a fraction of the electricity.

### DETAILS

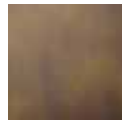
- Overall: 10" diameter, 11" height
- Shade: 8" diameter
- Base: 7.75" diameter, 1.75" high
- Battery (1): Rechargeable 12V, 7000mAh Li-Ion, includes UL listed wall charger
- Battery Life: 32+ hours per charge, 750+ cycles
- Charge Time: Approx. 4 hours
- Bulb: Dimmable 12V, 5W LED, approx. 450 lumens, 2700K, approx. 40,000 hrs. bulb life
- Weight: Approx. 5 pounds
- Designed in USA / Made in China
- UL/CUL, FCC, UN38.3 compliant
- Patented: [www.modernlantern.com/patents](http://www.modernlantern.com/patents)



### ABBEY CORDLESS LAMP

Metal finishes: Dark Ant. Brass  
10" Dia. x 11" T

### FINISH



DARK ANT. BRASS

CHECK WEBSITE FOR CURRENT RETAIL PRICING

[www.MODERNLANTERN.com](http://www.MODERNLANTERN.com)

Email: [info@modernlantern.com](mailto:info@modernlantern.com)

Phone: (682) 224-5351