



Modern Lantern®

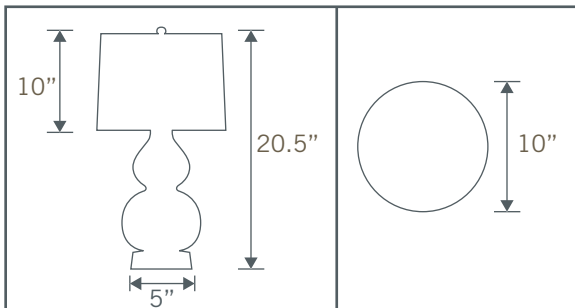
INDOOR CORDLESS LAMP

GENERAL DESCRIPTION

- 10" Dia. x 20.5"T
- Stoneware ceramic body (various glazes in-stock)
- Off white linen shade
- Metal finishes are nickel, ant. brass, or black
- INCLUDES rechargeable Li-Ion 12V battery, charger, and warm color value LED bulb
- Provides equivalent output as standard 45W bulb for 8+ hours on high or up to 48+ on low

DETAILS

- Overall: 10" diameter, 20.5" high
- Shade: 10" diameter, 8" high
- Base: 5" diameter, 1.75" high
- Battery (1): Rechargeable 12V, 2600mAh Li-Ion, includes UL listed wall charger
- Battery Life: 48+ hours per charge, 750+ cycles
- Charge Time: Approx. 2 hours
- Bulb: 12V, 5W LED, approx. 450 lumens, 2700K, approx. 40,000 hrs. bulb life
- Weight: Approx. 6 pounds
- Designed in USA / Made in USA
- UL/CUL, FCC, UN38.3 compliant
- Patented: www.modernlantern.com/patents



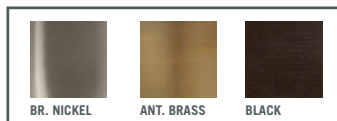
NORMA JEAN CORDLESS LAMP

Ceramic body / Linen Shade
10" Dia. x 16" T

GLAZE OPTIONS - IN STOCK



METAL BASE OPTIONS



CHECK WEBSITE FOR CURRENT RETAIL PRICING

WWW.MODERNLANTERN.com

Email: info@modernlantern.com

Phone: (682) 224-5351