
CORDLESS LIGHTING SOLUTIONS



Modern Lantern®

www.MODERNLANTERN.com



Modern Lantern®

BEAUTIFUL & RECHARGEABLE LAMPS THAT GO ANYWHERE

a lighting idea that is simply brilliant.

Our research and development team has combined technology with design to bring you a lighting product that will operate anywhere. No more unsightly cords. No unwanted wiring. No expensive electrician to retrofit extra outlets. Just beautiful light when and where it's needed most. And, all made possible with the simple, high performance, rechargeable battery system that comes with every lamp.

where can you use our lamps?

The greatest benefit to our **patented** design is that you can place a Modern Lantern wherever you like in or around your home or any space, indoor or out. Perfect for all those hard to light spaces from floating living room tables to poolside to dining to lobby!

info on our in-stock line visit our online store?

www.modernlantern.com

info on custom designs and becoming an industry partner?

www.modernlantern.com/pages/partners

MODERN LANTERN • 1500 northpark dr, suite 154 • fort worth, TX 76102

voice: (682) 224-5351 • e-mail: info@modernlantern.com

Modern Lantern is the premier brand for cordless decorative lamps we design and manufacture. We are a privately held company centrally headquartered in Fort Worth, Texas.



IN-STOCK
CORDLESS



Modern Lantern®

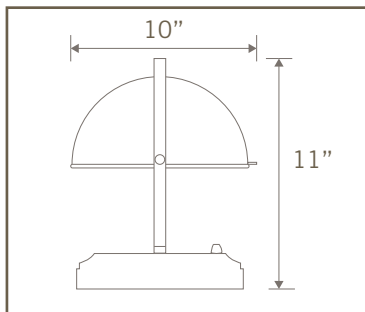
INDOOR CORDLESS LAMP

GENERAL DESCRIPTION

- 10" Dia. x 11"T
- Polished nickel (also available in antique brass)
- 3W, LED bulb (approx. 2900K)
- All metal construction with tilting dome top
- INCLUDES rechargeable Li-Ion 12V battery, charger, and warm color value LED bulb
- Provides equivalent output as standard 40W bulb for 20+ hours on a full charge, but uses a fraction of the electricity.

DETAILS

- Overall: 10" diameter, 11" height
- Shade: 8" diameter
- Base: 7.75" diameter, 1.75" high
- Battery (1): 12V Li-Ion 5000mAh battery, includes UL listed wall charger
- Battery Life: 20+ hours per charge, 500+ cycles
- Charge Time: Approx. 3.5 hours
- Bulb: 3W 12V LED, 350 lumens, 2900K, approx. 50,000 hrs. bulb life
- Weight: Approx. 4 pounds
- Designed in USA / Made in China
- UL/CUL, FCC, UN38.3 compliant
- Patented: www.modernlantern.com/patents



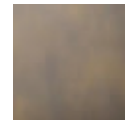
ABBEY CORDLESS LAMP

Metal finishes: Dark Ant. Brass or Pol. Nickel
10" Dia. x 11" T

FINISH (Custom finish options are possible, meeting minimums)



POLISHED NICKEL



DARK ANTIQUE BRASS

CHECK WEBSITE FOR CURRENT RETAIL PRICING

www.MODERNLANTERN.com

Email: info@modernlantern.com

Ph: (682) 224-5351



Modern Lantern®

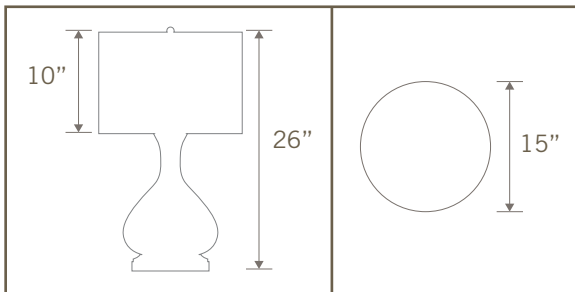
INDOOR CORDLESS LAMP

GENERAL DESCRIPTION

- 15" Dia. x 26" T
- Stoneware ceramic body (various glazes in-stock)
- Off white linen shade
- Metal finishes are nickel, dark bronze, or ant. brass
- INCLUDES rechargeable Li-Ion 12V battery, charger, and warm color value LED bulb
- Provides equivalent output as standard 40W bulb for 20+ hours on a full charge, but uses a fraction of the electricity.

DETAILS

- Overall: 15" diameter, 26" high
- Shade: 15" diameter, 10" high
- Base: 7.75" diameter, 1.75" high
- Battery (1): 12V Li-Ion 5000mAh battery, includes UL listed wall charger
- Battery Life: 20+ hours per charge, 500+ cycles
- Charge Time: Approx. 3.5 hours
- Bulb: 3W 12V LED, 350 lumens, 2900K, approx. 50,000 hrs. bulb life (5W bulb upgrade opt.)
- Weight: Approx. 7 pounds
- Designed and Made in the USA
- UL/CUL, FCC, UN38.3 compliant
- Patented: www.modernlantern.com/patents



BARTLETT CORDLESS LAMP

Ceramic body / Linen Shade
15" Dia. x 26" T

GLAZE OPTIONS



(Other custom glazes and shapes are possible, meeting minimums 10+)

CHECK WEBSITE FOR CURRENT RETAIL PRICING

www.MODERNLANTERN.com

Email: info@modernlantern.com

Ph: (682) 224-5351



Modern Lantern®

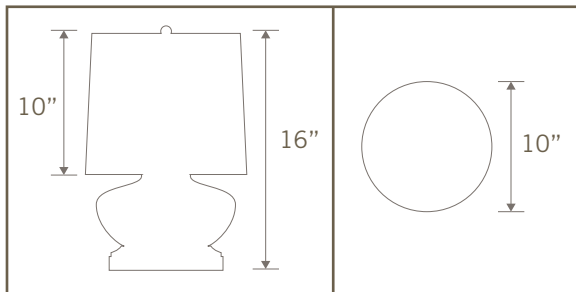
INDOOR CORDLESS LAMP

GENERAL DESCRIPTION

- 10" Dia. x 16"T
- Stoneware ceramic body (ivory and bronze in stock)
- Ivory linen shade (diffuser upgrade available)
- Metal finishes are nickel, dark bronze, or ant. brass
- INCLUDES rechargeable Li-Ion 12V battery, charger, and warm color value LED bulb
- Provides equivalent output as standard 40W bulb for 20+ hours on a full charge, but uses a fraction of the electricity.

DETAILS

- Overall: 10" diameter, 16" high
- Shade: 10" diameter, 8" high
- Base: 7.75" diameter, 1.75" high
- Battery (1): 12V Li-Ion 5000mAh battery, includes UL listed wall charger
- Battery Life: 20+ hours per charge, 500+ cycles
- Charge Time: Approx. 3.5 hours
- Bulb: 3W 12V LED, 350 lumens, 2900K, approx. 50,000 hrs. bulb life (5W bulb upgrade opt.)
- Weight: Approx. 5 pounds
- Designed and Made in the USA
- UL/CUL, FCC, UN38.3 compliant
- Patented: www.modernlantern.com/patents



BELLA CORDLESS LAMP

Ceramic body / Linen Shade
10" Dia. x 16" T

GLAZE OPTIONS



(Other custom glazes and shapes are possible, meeting minimums 10+)

www.MODERNLANTERN.com

Email: info@modernlantern.com

Ph: (682) 224-5351



Modern Lantern®

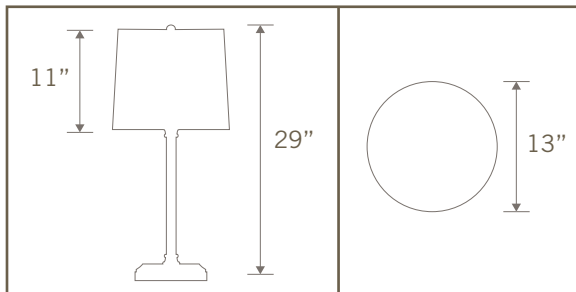
OUTDOOR CORDLESS LAMP

GENERAL DESCRIPTION

- 13" Dia. x 29"T
- Antique dark bronze finished metal base with outdoor off white linen shade (brushed pewter finish option)
- INCLUDES rechargeable Li-Ion 12V battery, charger, and warm color value LED bulb
- Provides equivalent output as standard 40W bulb for 20+ hours on a full charge, but uses a fraction of the electricity.

DETAILS

- Overall: 13" diameter, 29" high
- Shade: 13" diameter, 11" high
- Base: 7.75" diameter, 1.75" high
- Battery (1): 12V Li-Ion 5000mAh battery, includes UL listed wall charger
- Battery Life: 20+ hours per charge, 500+ cycles
- Charge Time: Approx. 3.5 hours
- Bulb: 3W 12V LED, 350 lumens, 2900K, approx. 50,000 hrs. bulb life (5W bulb upgrade opt.)
- Weight: Approx. 7 pounds
- Designed in the USA, made in China
- UL/CUL, FCC, UN38.3 compliant
- Patented: www.modernlantern.com/patents



CAPRI OUTDOOR CORDLESS LAMP

Bronze Metal / Off White Linen
13" Dia. x 29" T



DARK BRONZE



BR. PEWTER

CHECK WEBSITE FOR CURRENT RETAIL PRICING

WWW.MODERNLANTERN.COM

Email: info@modernlantern.com

Ph: (682) 224-5351



Modern Lantern®

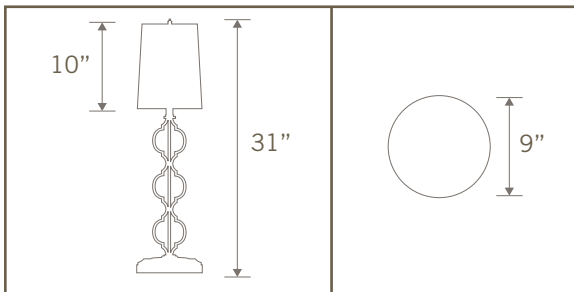
INDOOR CORDLESS LAMP

GENERAL DESCRIPTION

- 9" Dia. x 31"T
- Antique silver base with warm bronze rub finished metal base with an off white fabric buffet shade
- INCLUDES rechargeable Li-Ion 12V battery, charger, and warm color value LED bulb
- Provides equivalent output as standard 40W bulb for 20+ hours on a full charge, but uses a fraction of the electricity.

DETAILS

- Overall: 9" diameter, 31" high
- Shade: 9" diameter, 10" high
- Base: 7.75" diameter, 1.75" high
- Battery (1): 12V Li-Ion 5000mAh battery, includes UL listed wall charger
- Battery Life: 20+ hours per charge, 500+ cycles
- Charge Time: Approx. 3.5 hours
- Bulb: 3W 12V LED, 350 lumens, 2900K, approx. 50,000 hrs. bulb life (5W bulb upgrade opt.)
- Weight: Approx. 5 lbs.
- Designed in the USA, made in China
- UL/CUL, FCC, UN38.3 compliant
- Patented: www.modernlantern.com/patents



CLOVE BUFFET CORDLESS LAMP

Champagne Metal / Off-White Fabric
9" Dia. x 31" T

CHECK WEBSITE FOR CURRENT RETAIL PRICING

www.MODERNLANTERN.com

Email: info@modernlantern.com

Ph: (682) 224-5351



Modern Lantern®

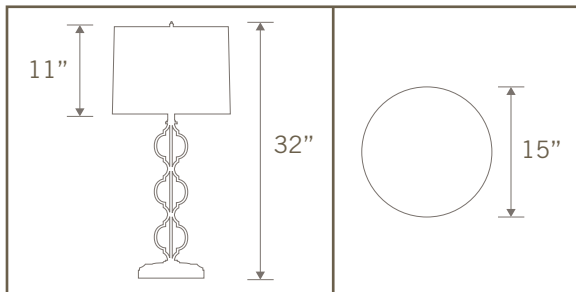
INDOOR CORDLESS LAMP

GENERAL DESCRIPTION

- 15" Dia. x 32"T
- Antique silver base with warm bronze rub finished metal base with an off white fabric shade
- INCLUDES rechargeable Li-Ion 12V battery, charger, and warm color value LED bulb
- Provides equivalent output as standard 40W bulb for 20+ hours on a full charge, but uses a fraction of the electricity.

DETAILS

- Overall: 15" diameter, 32" high
- Shade: 15" diameter, 11" high
- Base: 7.75" diameter, 1.75" high
- Battery (1): 12V Li-Ion 5000mAh battery, includes UL listed wall charger
- Battery Life: 20+ hours per charge, 500+ cycles
- Charge Time: Approx. 3.5 hours
- Bulb: 3W 12V LED, 350 lumens, 2900K, approx. 50,000 hrs. bulb life (5W bulb upgrade opt.)
- Weight: Approx. 5 lbs.
- Designed in the USA, made in China
- UL/CUL, FCC, UN38.3 compliant
- Patented: www.modernlantern.com/patents



CLOVE TABLE CORDLESS LAMP

Champagne Metal / Off-White Fabric
15" Dia. x 32" T

CHECK WEBSITE FOR CURRENT RETAIL PRICING

www.MODERNLANTERN.com

Email: info@modernlantern.com

Ph: (682) 224-5351



Modern Lantern®

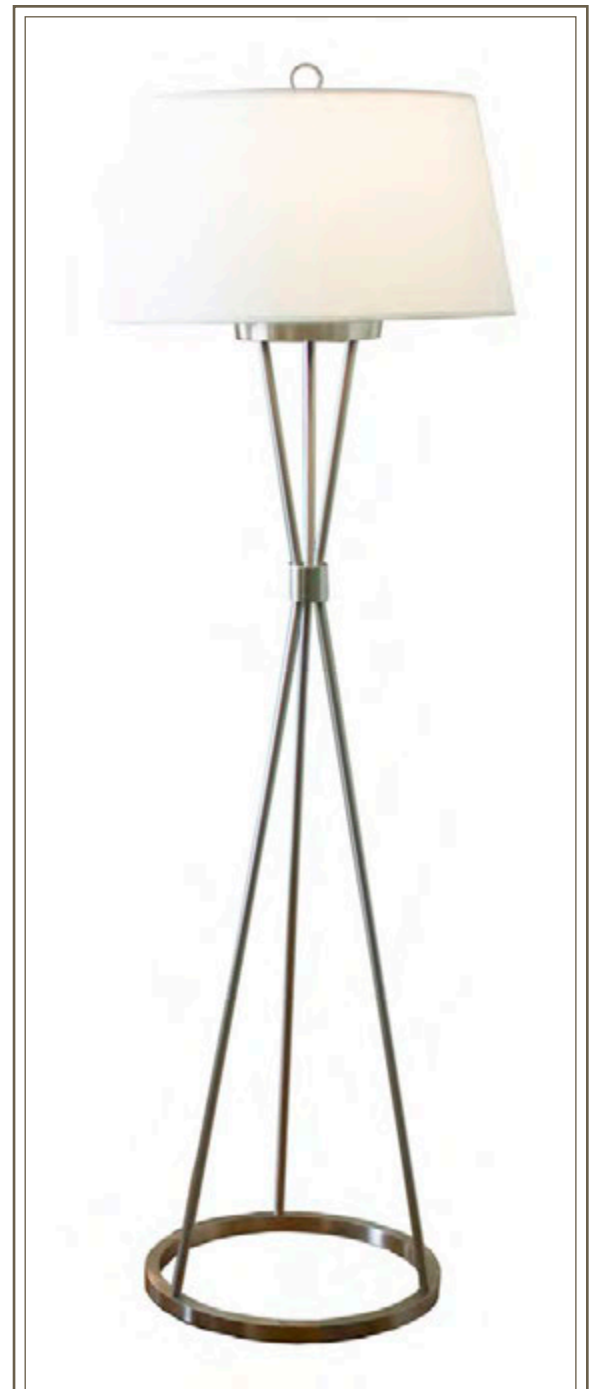
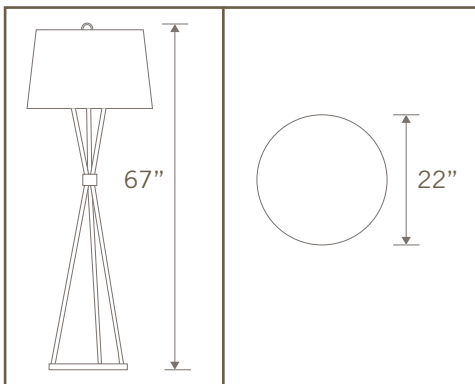
CORDLESS FLOOR LAMP

GENERAL DESCRIPTION

- 22" Dia. x 67"T
- Metal body (brushed nickel finish)
- 5W, LED bulb (approx. 2700K)
- All metal construction with linen shade
- INCLUDES rechargeable Li-Ion 12V battery, charger, and warm color value LED bulb
- Provides equivalent output as standard 60W bulb for 13+ hours on a full charge, but uses a fraction of the electricity.

DETAILS

- Overall: 22" diameter, 67" height
- Shade: 22" diameter
- Base: 18" diameter, 54" high
- Battery: 12V Li-Ion 5000mAh battery, includes UL listed wall charger
- Battery Life: 13+ hours per charge, 500+ cycles
- Charge Time: Approx. 3.5 hours
- Bulb: 5W 12V LED, 450 lumens, 2700K, approx. 50,000 hrs. bulb life
- Weight: Approx. 14 pounds
- Designed in USA / Made in China
- UL/CUL, FCC, UN38.3 compliant
- Patented: www.modernlantern.com/patents



CHAMBERLAIN CORDLESS FLOOR LAMP

Brushed nickel metal finish
22" Dia. x 67" T

FINISH: (Custom finish options are possible, meeting minimums)

CHECK WEBSITE FOR CURRENT RETAIL PRICING

WWW.MODERNLANTERN.COM

Email: info@modernlantern.com

Ph: (682) 224-5351



Modern Lantern®

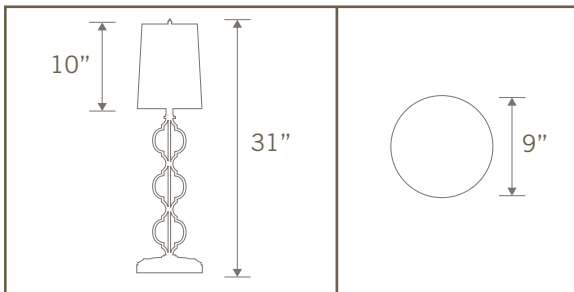
INDOOR CORDLESS LAMP

GENERAL DESCRIPTION

- 9" Dia. x 31"T
- Dark Gun Metal finish, metal base with an off white fabric shade
- INCLUDES rechargeable Li-Ion 12V battery, charger, and warm color value LED bulb
- Provides equivalent output as standard 40W bulb for 20+ hours on a full charge, but uses a fraction of the electricity.

DETAILS

- Overall: 9" diameter, 31" high
- Shade: 9" diameter, 10" high
- Base: 7.75" diameter, 1.75" high
- Battery (1): 12V Li-Ion 5000mAh battery, includes UL listed wall charger
- Battery Life: 20+ hours per charge, 500+ cycles
- Charge Time: Approx. 3.5 hours
- Bulb: 3W 12V LED, 350 lumens, 2900K, approx. 50,000 hrs. bulb life (5W bulb upgrade opt.)
- Weight: Approx. 6 lbs.
- Designed in the USA, made in China
- UL/CUL, FCC, UN38.3 compliant
- Patented: www.modernlantern.com/patents



CLOVE CORDLESS BUFFET - GUN METAL

Gun Metal / Off-White Fabric

9" Dia. x 31" T

CHECK WEBSITE FOR CURRENT RETAIL PRICING

www.MODERNLANTERN.com

Email: info@modernlantern.com

Ph: (682) 224-5351



Modern Lantern®

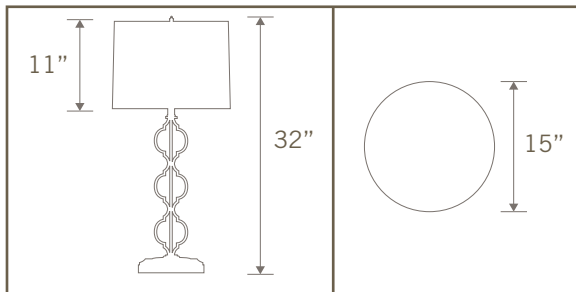
INDOOR CORDLESS LAMP

GENERAL DESCRIPTION

- 15" Dia. x 32"T
- Dark Gun Metal finish, metal base with an off white fabric shade (buffet shade option)
- INCLUDES rechargeable Li-Ion 12V battery, charger, and warm color value LED bulb
- Provides equivalent output as standard 40W bulb for 20+ hours on a full charge, but uses a fraction of the electricity.

DETAILS

- Overall: 15" diameter, 32" high
- Shade: 15" diameter, 11" high
- Base: 7.75" diameter, 1.75" high
- Battery (1): 12V Li-Ion 5000mAh battery, includes UL listed wall charger
- Battery Life: 20+ hours per charge, 500+ cycles
- Charge Time: Approx. 3.5 hours
- Bulb: 3W 12V LED, 350 lumens, 2900K, approx. 50,000 hrs. bulb life (5W bulb upgrade opt.)
- Weight: Approx. 6 lbs.
- Designed in the USA, made in China
- UL/CUL, FCC, UN38.3 compliant
- Patented: www.modernlantern.com/patents



CLOVE CORDLESS LAMP - GUN METAL

Gun Metal / Off-White Fabric

15" Dia. x 32" T

CHECK WEBSITE FOR CURRENT RETAIL PRICING

www.MODERNLANTERN.com

Email: info@modernlantern.com

Ph: (682) 224-5351



Modern Lantern®

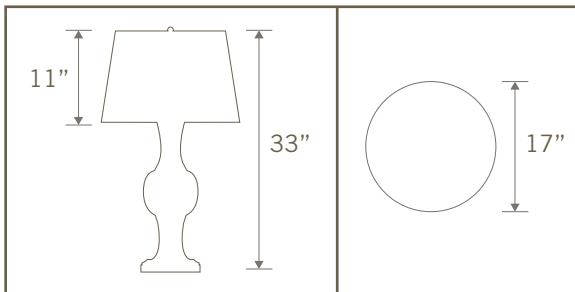
INDOOR CORDLESS LAMP

GENERAL DESCRIPTION

- 17" Dia. x 33"T
- Stoneware ceramic body (ivory in stock)
- Off white linen shade
- Metal finishes are nickel, dark bronze, or ant. brass
- INCLUDES rechargeable Li-Ion 12V battery, charger, and warm color value LED bulb
- Provides equivalent output as standard 40W bulb for 20+ hours on a full charge, but uses a fraction of the electricity.

DETAILS

- Overall: 17" diameter, 33" high
- Shade: 17" diameter, 11" high
- Base: 7.75" diameter, 1.75" high
- Battery (1): 12V Li-Ion 5000mAh battery, includes UL listed wall charger
- Battery Life: 20+ hours per charge, 500+ cycles
- Charge Time: Approx. 3.5 hours
- Bulb: 3W 12V LED, 350 lumens, 2900K, approx. 50,000 hrs. bulb life (5W bulb upgrade opt.)
- Weight: Approx. 10 pounds
- Designed and Made in the USA
- UL/CUL, FCC, UN38.3 compliant
- Patented: www.modernlantern.com/patents



JAMISON CORDLESS LAMP

Ceramic body / Linen Shade
17" Dia. x 33" T

GLAZE OPTIONS



(Other custom glazes and shapes are possible, meeting minimums 10+)

CHECK WEBSITE FOR CURRENT RETAIL PRICING

www.MODERNLANTERN.com

Email: info@modernlantern.com

Ph: (682) 224-5351



Modern Lantern®

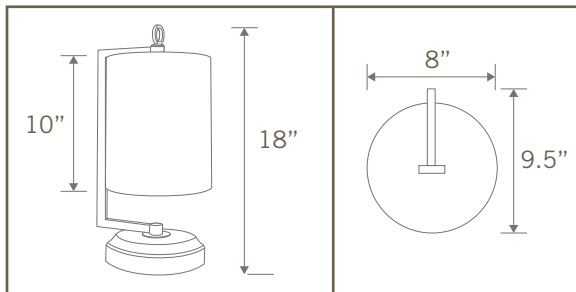
INDOOR CORDLESS LAMP

GENERAL DESCRIPTION

- 9.5" Dia. x 18"T
- Antique Brass OR Antique Bronze finishes available with an off-white linen fabric drum shade
- INCLUDES rechargeable Li-Ion 12V battery, charger, and warm color value LED bulb
- Provides equivalent output as standard 40W bulb for 20+ hours on a full charge, but uses a fraction of the electricity.

DETAILS

- Overall: 9.5" diameter, 18" high
- Shade: 8" diameter, 10" high
- Base: 7.75" diameter, 1.75" high
- Battery (1): 12V Li-Ion 5000mAh battery, includes UL listed wall charger
- Battery Life: 20+ hours per charge, 500+ cycles
- Charge Time: Approx. 3.5 hours
- Bulb: 3W 12V LED, 350 lumens, 2900K, approx. 50,000 hrs. bulb life (5W bulb upgrade opt.)
- Weight: Approx. 4.5 lbs.
- Designed in the USA, made in China
- UL/CUL, FCC, UN38.3 compliant
- Patented: www.modernlantern.com/patents



JYNN CORDLESS LAMP

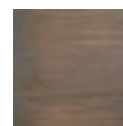
Antique Bronze with Off-White Linen Shade
9.5" Dia. x 18" T



CHROME



ANT. BRASS



ANT. BRONZE

CHECK WEBSITE FOR CURRENT RETAIL PRICING

www.MODERNLANTERN.com

Email: info@modernlantern.com

Ph: (682) 224-5351



Modern Lantern®

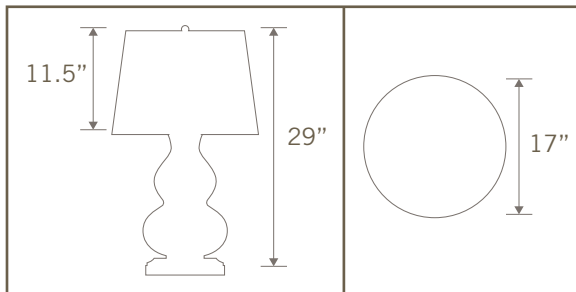
INDOOR CORDLESS LAMP

GENERAL DESCRIPTION

- 17" Dia. x 29"T
- Stoneware ceramic body (ivory is ONLY stock glaze)
- Off white linen shade
- Metal finishes are nickel or ant. brass
- INCLUDES rechargeable Li-Ion 12V battery, charger, and warm color value LED bulb
- Provides equivalent output as standard 40W bulb for 20+ hours on a full charge, but uses a fraction of the electricity.

DETAILS

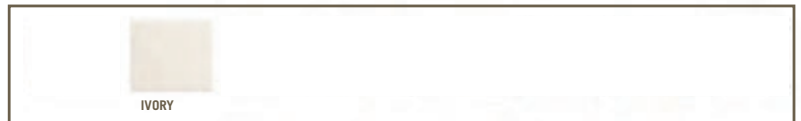
- Overall: 17" diameter, 29" high
- Shade: 17" diameter, 11.5" high
- Base: 7.75" diameter, 1.75" high
- Battery (1): 12V Li-Ion 5000mAh battery, includes UL listed wall charger
- Battery Life: 20+ hours per charge, 500+ cycles
- Charge Time: Approx. 3.5 hours
- Bulb: 3W 12V LED, 350 lumens, 2900K, approx. 50,000 hrs. bulb life (5W bulb upgrade opt.)
- Weight: Approx. 9 pounds
- Designed and Made in the USA
- UL/CUL, FCC, UN38.3 compliant
- Patented: www.modernlantern.com/patents



MARILYN CORDLESS LAMP

Ceramic body / Linen Shade
17" Dia. x 29" T

GLAZE OPTIONS



(Other custom glazes and shapes are possible, meeting minimums 10+)

CHECK WEBSITE FOR CURRENT RETAIL PRICING

www.MODERNLANTERN.com

Email: info@modernlantern.com

Ph: (682) 224-5351



Modern Lantern®

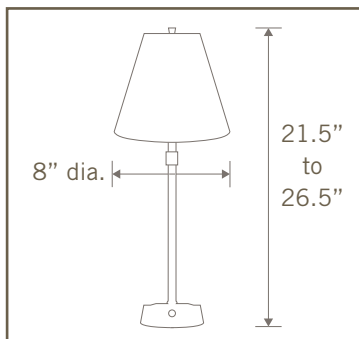
CORDLESS MINI BUFFET

GENERAL DESCRIPTION

- 8" Dia. x 21.5"- 26.5" T (telescopic)
- Metal body (available in various finishes)
- 3W, dimmable LED bulb (approx. 2700K)
- Linen shade with frosted acrylic diffuser
- INCLUDES 1 rechargeable Li-Ion 12V battery, charger, and integrated LED bulb
- Provides equivalent output as standard 35W bulb for 18+ hours on a full charge, 40+ hours fully dimmed. Recharges in approx. 2 hours.

DETAILS

- Overall: 8" diameter, 21.5" - 26.5" height
- Shade: 8" diameter
- Base: 5" diameter, 1.75" high
- Battery: 12V Li-Ion 2600mAh battery, includes UL listed wall charger
- Battery Life: 18+ hours per charge, 500+ cycles
- Charge Time: Approx. 2 hours
- Bulb: 3W 12V LED, 350 lumens, dimmable, 2700K, approx. 50,000 hrs. bulb life
- Weight: Approx. 3 pounds
- Designed in USA / Made in China
- UL/CUL, FCC, UN38.3 compliant
- Patented: www.modernlantern.com/patents



MINI BUFFET CORDLESS LAMP

Metal in various finishes, linen shade w/ diffuser
8" Dia. x 21.5" - 26.5" T

FINISH OPTIONS (Custom finish options are possible, meeting minimums)



BRUSHED NICKEL



ANTIQUE BRASS



DARK BRONZE

CHECK WEBSITE FOR CURRENT RETAIL PRICING

[www.MODERNLANTERN.com](http://www.modernlantern.com)

Email: info@modernlantern.com

Ph: (682) 224-5351



Modern Lantern®

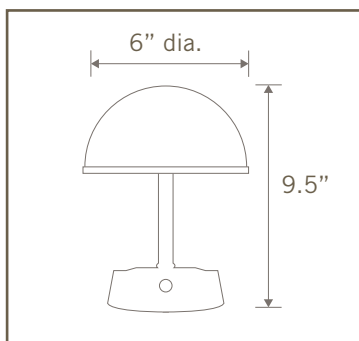
CORDLESS MINI LAMP

GENERAL DESCRIPTION

- 6" Dia. x 9.5"T
- Metal body (antique brass finish)
- 3W, dimmable LED bulb (approx. 2700K)
- Globe is alabaster like glass, frosted finish
- INCLUDES 2 rechargeable Li-Ion 12V batteries, charger, and integrated LED bulb
- Provides equivalent output as standard 35W bulb for 18+ hours on a full charge, 40+ hours fully dimmed. Recharges in approx. 2 hours.

DETAILS

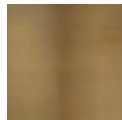
- Overall: 6" diameter, 9.5" height
- Shade: 6" diameter
- Base: 5" diameter, 1.75" high
- Battery (2): 12V Li-Ion 2600mAh batteries, includes UL listed wall charger
- Battery Life: 18+ hours per charge, 500+ cycles
- Charge Time: Approx. 2 hours
- Bulb: 3W 12V LED, 350 lumens, dimmable, 2700K, approx. 50,000 hrs. bulb life
- Weight: Approx. 2.5 pounds
- Designed in USA / Made in China
- UL/CUL, FCC, UN38.3 compliant
- Patented: www.modernlantern.com/patents



MINI ART DECO CORDLESS LAMP

Metal in ant. brass with alabaster glass
6" Dia. x 9.5" T

FINISH (Custom finish options are possible, meeting minimums)



ANTIQUE BRASS

CHECK WEBSITE FOR CURRENT RETAIL PRICING

www.MODERNLANTERN.com

Email: info@modernlantern.com

Ph: (682) 224-5351



Modern Lantern®

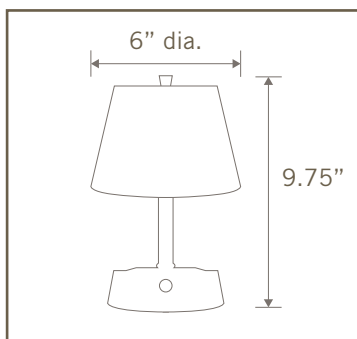
CORDLESS MINI LAMP

GENERAL DESCRIPTION

- 6" Dia. x 9.75"T
- Metal body (available in various finishes)
- 3W, dimmable LED bulb (approx. 2700K)
- Metal shade with frosted acrylic diffuser
- INCLUDES 2 rechargeable Li-Ion 12V batteries, charger, and integrated LED bulb
- Provides equivalent output as standard 35W bulb for 18+ hours on a full charge, 40+ hours fully dimmed. Recharges in approx. 2 hours.

DETAILS

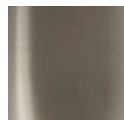
- Overall: 6" diameter, 9.75" height
- Shade: 6" diameter
- Base: 5" diameter, 1.75" high
- Battery (2): 12V Li-Ion 2600mAh batteries, includes UL listed wall charger
- Battery Life: 18+ hours per charge, 500+ cycles
- Charge Time: Approx. 2 hours
- Bulb: 3W 12V LED, 350 lumens, dimmable, 2700K, approx. 50,000 hrs. bulb life
- Weight: Approx. 2 pounds
- Designed in USA / Made in China
- UL/CUL, FCC, UN38.3 compliant
- Patented: www.modernlantern.com/patents



MINI METAL CORDLESS LAMP

Metal in various finish options frosted diffuser
6" Dia. x 9.75" T

FINISH OPTIONS (Custom finish options are possible, meeting minimums)



BRUSHED NICKEL



ANTIQUE BRASS



DARK BRONZE

CHECK WEBSITE FOR CURRENT RETAIL PRICING

www.MODERNLANTERN.com

Email: info@modernlantern.com

Ph: (682) 224-5351



Modern Lantern®

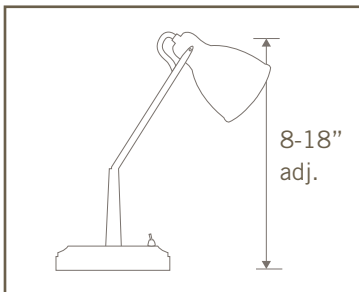
CORDLESS TASK LAMP

GENERAL DESCRIPTION

- 7.75" Dia. x 8 - 18"T
- Metal body (nickel and brass both in stock)
- Integrated tilting arm and metal shade
- Metal finishes are white/nickel or black/ant. brass
- INCLUDES rechargeable Li-Ion 12V battery, charger, and warm color value 3W LED bulb
- Provides equivalent output as standard 40W bulb for 20+ hours on a full charge, but uses a fraction of the electricity.

DETAILS

- Overall: 7.75" diameter, 8 - 18" adjustable height
- Shade: 6" diameter
- Base: 7.75" diameter, 1.75" high
- Battery (1): 12V Li-Ion 5000mAh battery, includes UL listed wall charger
- Battery Life: 20+ hours per charge, 500+ cycles
- Charge Time: Approx. 3.5 hours
- Bulb: 3W 12V LED, 350 lumens, 2900K, approx. 50,000 hrs. bulb life (5W bulb upgrade opt.)
- Weight: Approx. 6 pounds
- Designed and Made in the USA
- UL/CUL, FCC, UN38.3 compliant
- Patented: www.modernlantern.com/patents



OSCAR CORDLESS TASK LAMP

All metal body, black and ant. brass finish
7.75" Dia. x 8 - 18" T

CHECK WEBSITE FOR CURRENT RETAIL PRICING

www.MODERNLANTERN.com

Email: info@modernlantern.com

Ph: (682) 224-5351



Modern Lantern®

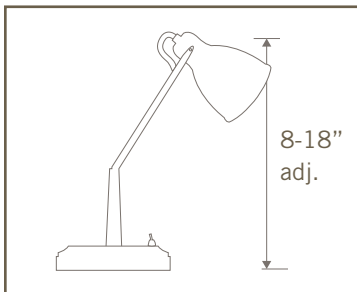
CORDLESS TASK LAMP

GENERAL DESCRIPTION

- 7.75" Dia. x 8 - 18" T
- Metal body (nickel and brass both in stock)
- Integrated tilting arm and metal shade
- Metal finishes are white/nickel or black/ant. brass
- INCLUDES rechargeable Li-Ion 12V battery, charger, and warm color value 3W LED bulb
- Provides equivalent output as standard 40W bulb for 20+ hours on a full charge, but uses a fraction of the electricity.

DETAILS

- Overall: 7.75" diameter, 8 - 18" adjustable height
- Shade: 6" diameter
- Base: 7.75" diameter, 1.75" high
- Battery (1): 12V Li-Ion 5000mAh battery, includes UL listed wall charger
- Battery Life: 20+ hours per charge, 500+ cycles
- Charge Time: Approx. 3.5 hours
- Bulb: 3W 12V LED, 350 lumens, 2900K, approx. 50,000 hrs. bulb life (5W bulb upgrade opt.)
- Weight: Approx. 6 pounds
- Designed and Made in the USA
- UL/CUL, FCC, UN38.3 compliant
- Patented: www.modernlantern.com/patents



OSCAR CORDLESS TASK LAMP

All metal body, white and nickel finish
7.75" Dia. x 8 - 18" T

CHECK WEBSITE FOR CURRENT RETAIL PRICING

www.MODERNLANTERN.com

Email: info@modernlantern.com

Ph: (682) 224-5351



Modern Lantern®

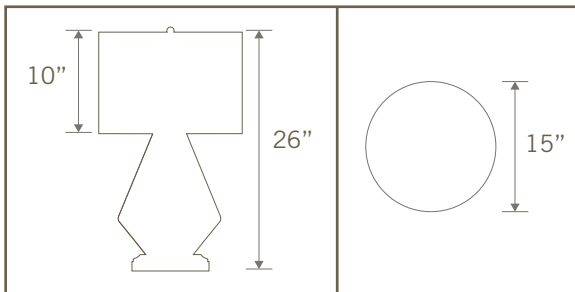
INDOOR CORDLESS LAMP

GENERAL DESCRIPTION

- 15" Dia. x 26"T
- Stoneware ceramic body (white and bronze in stock)
- Off white linen shade
- Metal finishes are nickel, dark bronze, or ant. brass
- INCLUDES rechargeable Li-Ion 12V battery, charger, and warm color value LED bulb
- Provides equivalent output as standard 40W bulb for 20+ hours on a full charge, but uses a fraction of the electricity.

DETAILS

- Overall: 15" diameter, 26" high
- Shade: 15" diameter, 10" high
- Base: 7.75" diameter, 1.75" high
- Battery (1): 12V Li-Ion 5000mAh battery, includes UL listed wall charger
- Battery Life: 20+ hours per charge, 500+ cycles
- Charge Time: Approx. 3.5 hours
- Bulb: 3W 12V LED, 350 lumens, 2900K, approx. 50,000 hrs. bulb life (5W bulb upgrade opt.)
- Weight: Approx. 7 pounds
- Designed and Made in the USA
- UL/CUL, FCC, UN38.3 compliant
- Patented: www.modernlantern.com/patents



PRISMA CORDLESS LAMP

Ceramic body / Linen Shade
15" Dia. x 26" T

GLAZE OPTIONS



(Other custom glazes and shapes are possible, meeting minimums 10+)

CHECK WEBSITE FOR CURRENT RETAIL PRICING

www.MODERNLANTERN.com

Email: info@modernlantern.com

Ph: (682) 224-5351



Modern Lantern®

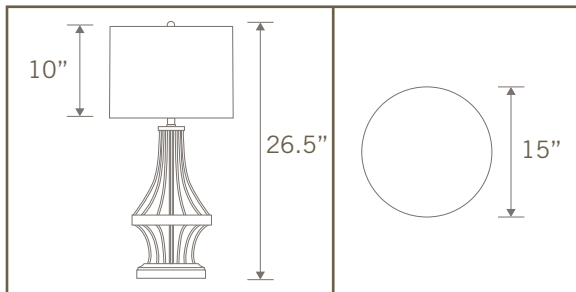
INDOOR CORDLESS LAMP

GENERAL DESCRIPTION

- 15" Dia. x 26.5"T
- Comes in an Antique Brass or GunMetal finish metal base with an off white fabric shade
- INCLUDES rechargeable Li-Ion 12V battery, charger, and warm color value LED bulb
- Provides equivalent output as standard 40W bulb for 20+ hours on a full charge, but uses a fraction of the electricity.

DETAILS

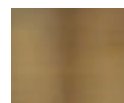
- Overall: 15" diameter, 26.5" high
- Shade: 15" diameter, 10" high
- Base: 7.75" diameter, 1.75" high
- Battery (1): 12V Li-Ion 5000mAh battery, includes UL listed wall charger
- Battery Life: 20+ hours per charge, 500+ cycles
- Charge Time: Approx. 3.5 hours
- Bulb: 3W 12V LED, 350 lumens, 2900K, approx. 50,000 hrs. bulb life (5W bulb upgrade opt.)
- Weight: Approx. 6 lbs.
- Designed in the USA, made in China
- UL/CUL, FCC, UN38.3 compliant
- Patented: www.modernlantern.com/patents



WIREFRAME CORDLESS LAMP

Various Metal / Off-White Fabric
15" Dia. x 26.5" T

FINISH OPTIONS



ANT BRASS



GUN METAL

CHECK WEBSITE FOR CURRENT RETAIL PRICING

www.MODERNLANTERN.com

Email: info@modernlantern.com

Ph: (682) 224-5351



CUSTOM ORDER?





Modern Lantern®

CUSTOM CORDLESS LAMPS FOR YOUR PROJECTS

we can design, develop, and deliver!

For those medium to large scale projects where you or your client requires something special, we can work on this together. From orders as small as 10 pieces with our Made in the USA ceramics all the way to very large scale commercial applications (FOB China), so let's get together to solve those lighting dilemmas everywhere!

medium to large volume... custom?

Step 1 • Let's first get you setup as an official industry partner

Sign up at: www.modernlantern.com/pages/partners

Step 2 • Our sales team will reach out to you ASAP to review your needs, or reach out by contacting us below.

Step 3 • We will request a custom design worksheet from you and then get started on your cordless lighting project needs.

Any questions on custom? Feel free to contact us at:
ph: (682) 224-5351 or Email: info@modernlantern.com

CUSTOM CORDLESS LAMPS



CERAMICS - 10+ units

- Min. order around 10+ units
- Custom ceramic shapes and glazes
- Fits our 7.75" metal base in either nickel, ant. brass, or bronze
- Min. 45 days lead-time
- Variety of shapes available upon request
- Custom shapes possible with mold fee

For more information: info@modernlantern.com

FULL CUSTOM - 50+ units

- Min. order 50+ units (FOB China)
- Complimentary in-house design
- Fits either our 7.75" dia. or 5" dia. metal base in variety of finishes
- Min. 120 days lead-time upon approved sample to delivery
- Endless design opportunities available



For more information: info@modernlantern.com



Modern Lantern®

CORDLESS LIGHTING SOLUTIONS

CUT THE CORD