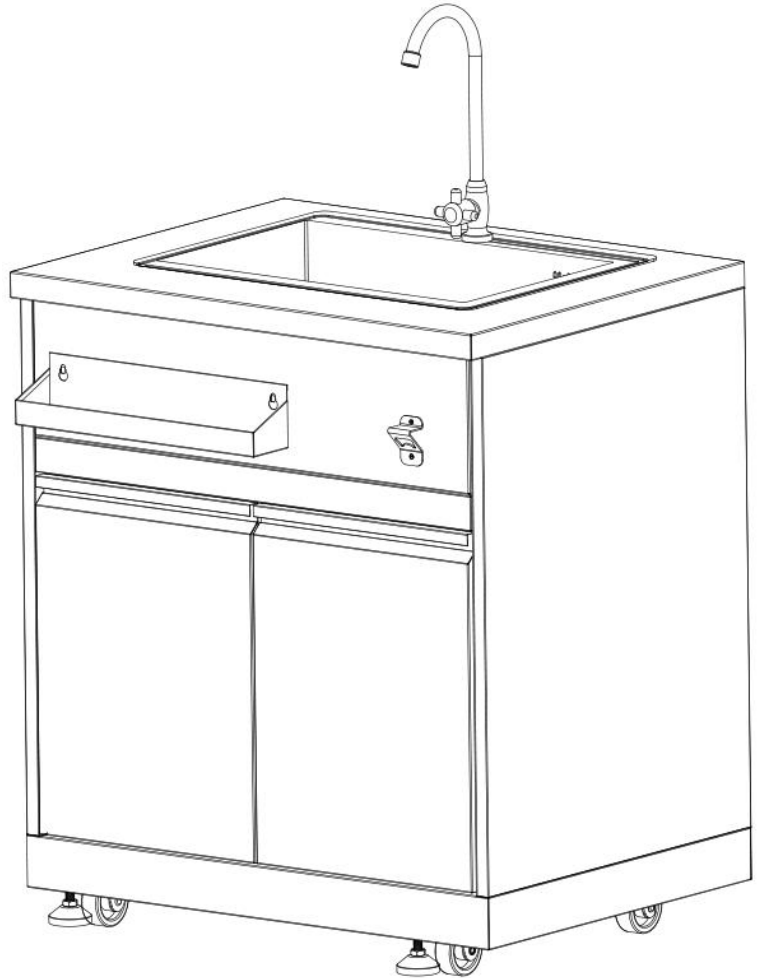


# THOR

K I T C H E N<sup>®</sup>

## THOR KITCHEN OUTDOOR Sink Cabinet Installation Manual

MODEL# MK01SS304



### IMPORTANT:

Save for electrical inspector's use.

Installer: Leave installation instructions with the homeowner.

Homeowner: Keep installation instructions for future reference.

## Welcome

Thank you for purchasing your Thor Kitchen Appliance! We appreciate your business and we recommend that you read this entire User's Manual before operating your new appliance for the first time.

This manual contains instructions on how to properly install and set up your new range, as well as insights into the unique features that our product offers. Please keep this manual for future reference, as it contains answers to questions that you might have as you begin to cook.

For any inquiries, please reach our customer service support at +1 877-288-8099 at our business hours or email [service@thorgroup.us](mailto:service@thorgroup.us).

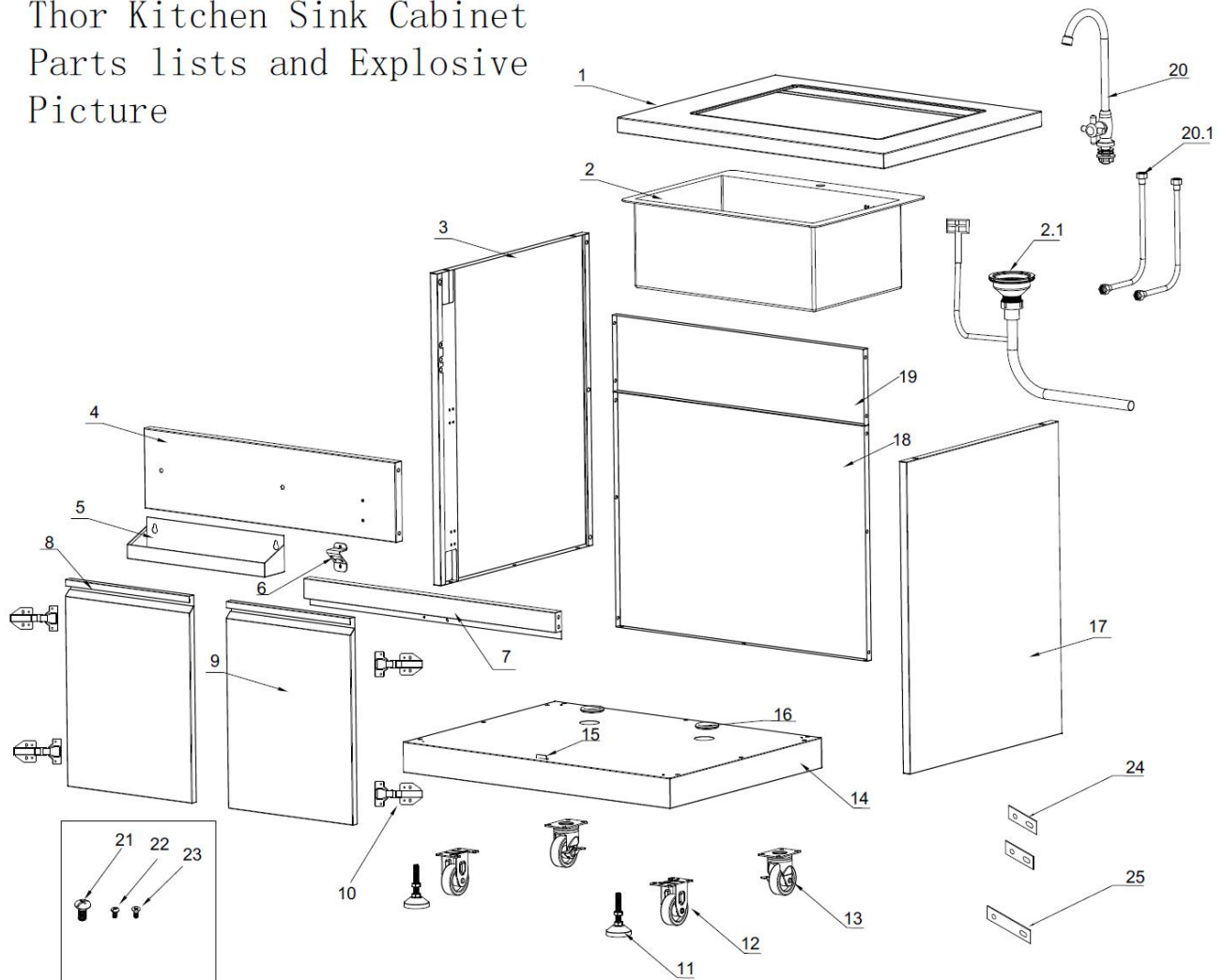
Thank you,  
Thor Group

This manual applies to the following models' series:

Model # MK01SS304 (Outdoor Sink Cabinet)

## Parts Explosive Pictures

Thor Kitchen Sink Cabinet  
Parts lists and Explosive  
Picture

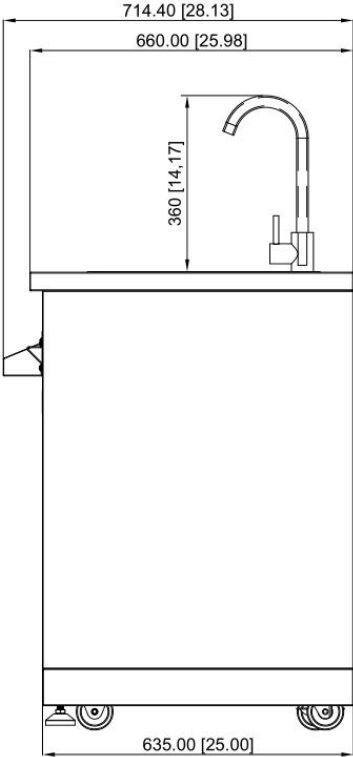
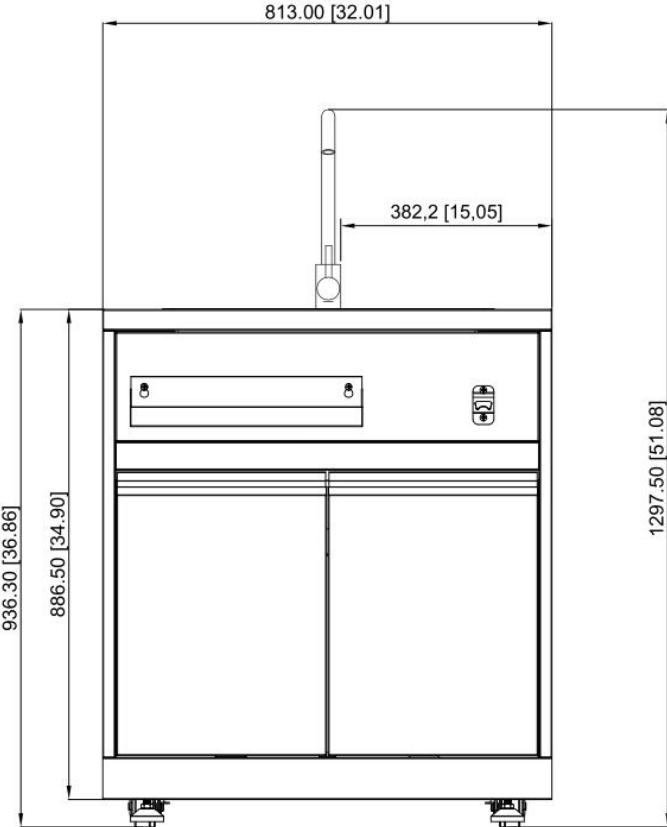


## Parts List

If you are missing any part, please contact Thor Kitchen Customer Service Department at 877-288-8099 at business hours, or email [service@thorgroup.us](mailto:service@thorgroup.us) for help.

Explosive #	Part #	Part Name	Quantity
1	20.01.008067-000-A0	Countertop welding assembly	1
2	05.99.008008-000-A1	Water sink	1
2.1	05.19.008004-000-A0	Drainpipe with anti-overflow	1
3	20.01.008089-000-A00	Left side panel welding assembly	1
4	20.01.001038-000-A0	Decoration panel welding assembly	1
5	20.01.001044-000-A0	Condiment holder welding assembly	1
6	04.01.008033-000-A0	Bottle opener	1
7	20.01.001040-000-A1	Beam welding assembly	1
8	22.99.009182-000-A0	Left door welding assembly	1
9	22.99.009181-000-A0	Right door welding assembly	1
10	05.03.008001-000-A0	Door hinge	4
11	05.01.008004-000-A0	Supporting leg	2
12	05.10.000122-000-A0	Fixed caster	2
13	05.10.000123-000-A0	Universal caster with brake	2
14	20.01.008069-000-A0	Bottom panel welding assembly	1
15	04.01.002596-000-A1	Door barrier strip	1
16	06.08.008078-000-A0	Gasket	2
17	20.01.008088-000-A0	Right side panel welding assembly	1
18	20.01.001042-000-A0	Back panel welding assembly A	1
19	20.01.008091-000-A0	Back panel welding assembly B	1
20	05.99.008009-000-A0	Faucet	1
20.1	05.19.008005-000-A0	Faucet inlet pipe	2
21	06.02.000093-000-A0	¼" Philips thumb head screw with anti-slip design	52
22	06.10.000042-000-A0	Philips thumb head screw	4
23	06.11.008056-000-A0	flat head screw	26
24	04.01.002580-000-A0	cabinet back connecting plate	2
25	04.01.002579-000-A0	cabinet front connecting plate	1

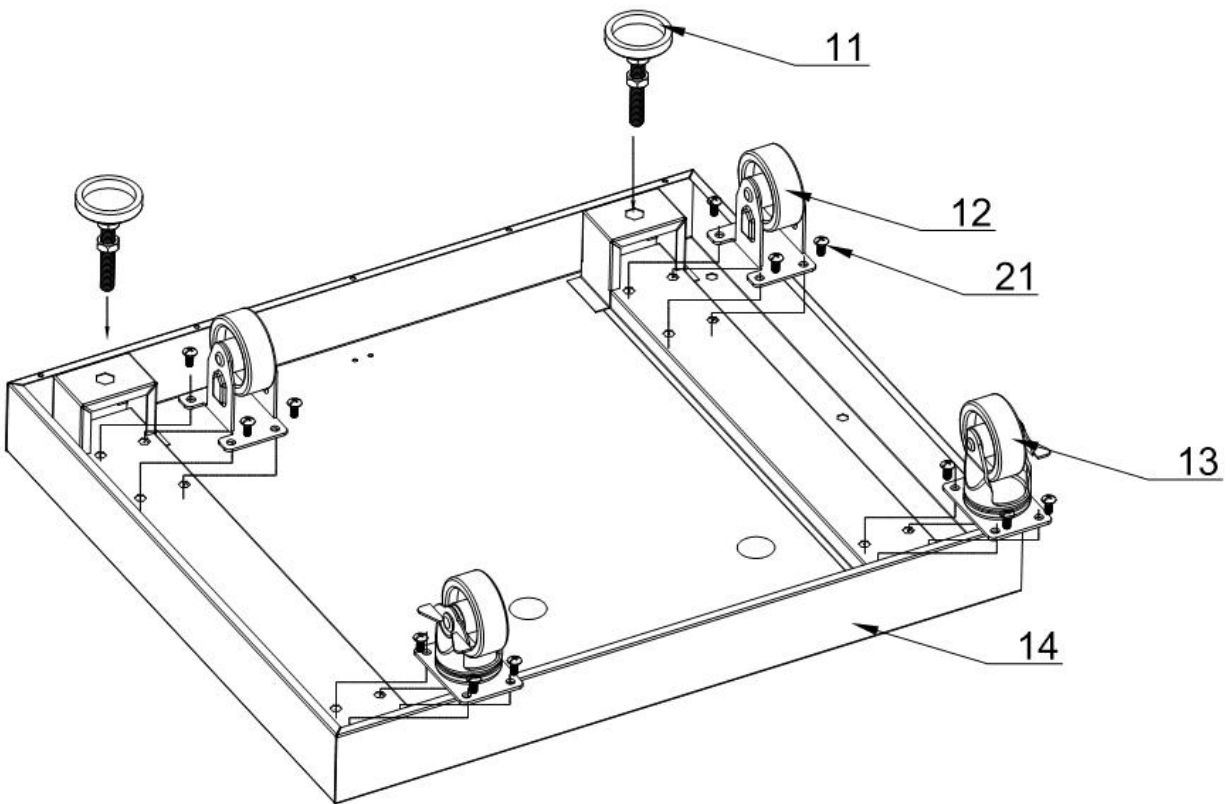
### Product Dimension



## Cabinet Installation

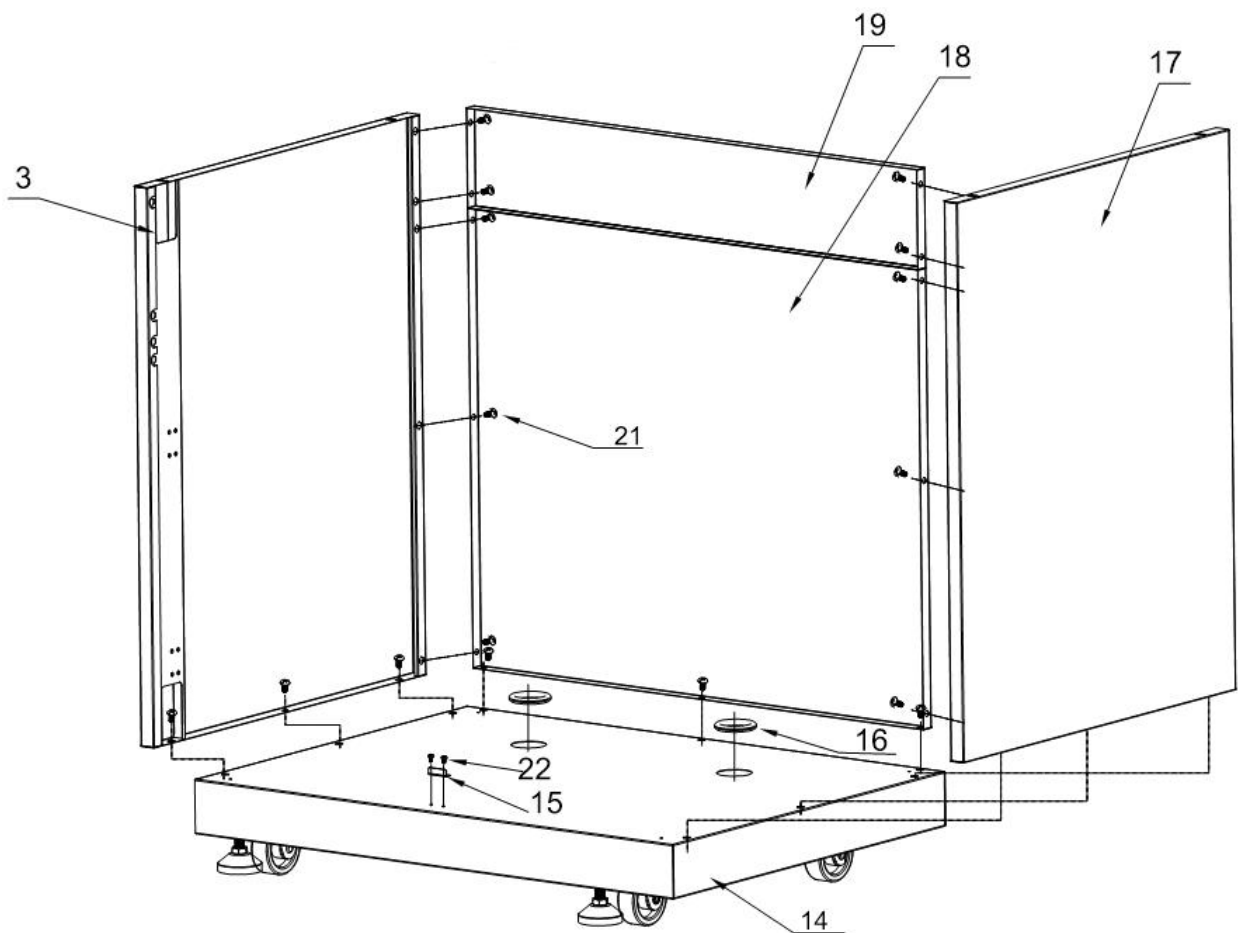
### Step 1

1. Connect 2 pcs supporting leg (Part # 11) to bottom welding part, and tighten two legs;
2. Connect 2 pcs Fixed caster (Part # 12) and 2 pcs universal caster with brake (Part # 13) with 16 pcs ¼" Philips thumb head screw with anti-slip design (Part # 21) to bottom welding part (Part # 14)



## Step 2

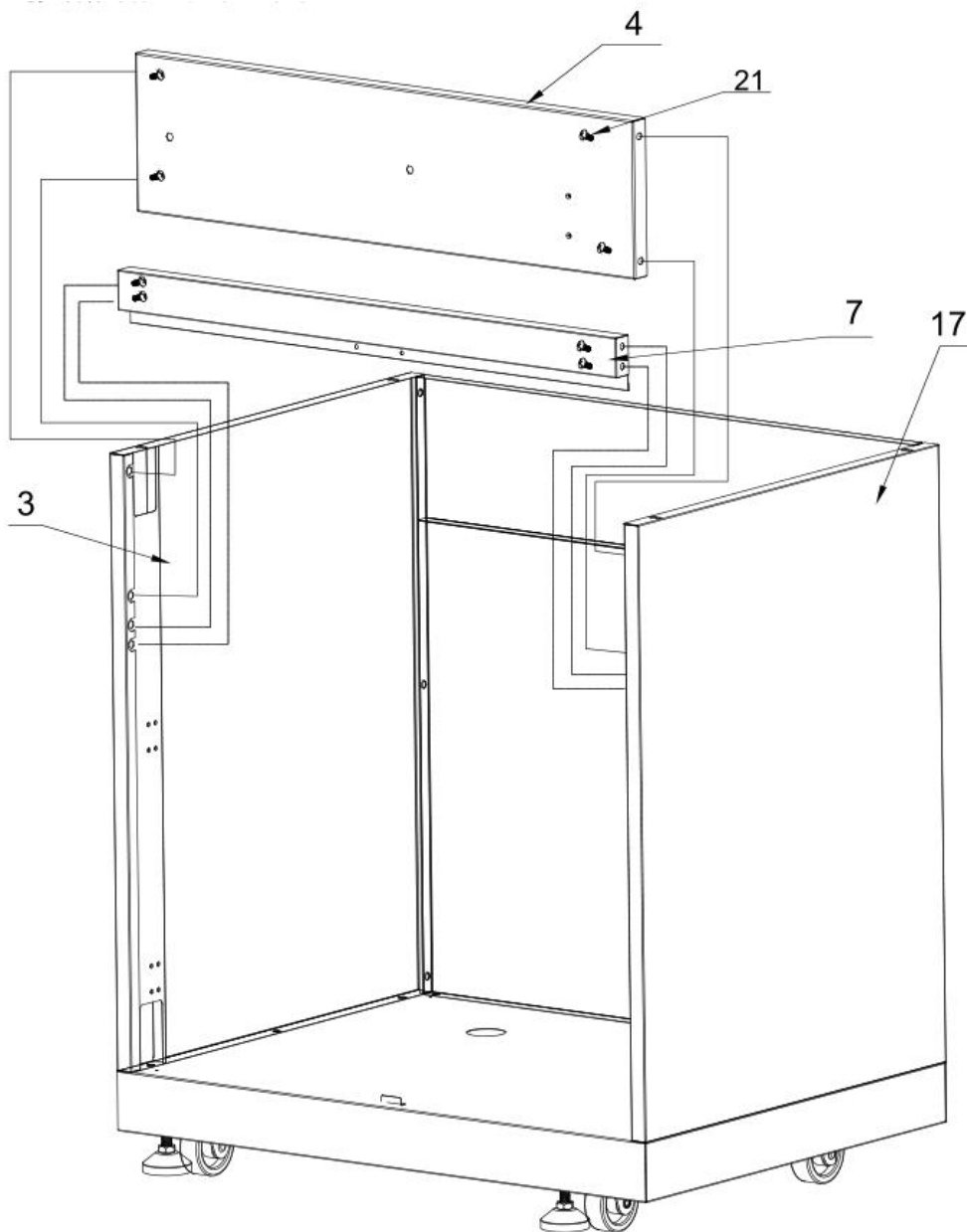
1. Reverse back Bottom panel welding assembly (Part # 14). Install 2 pcs Gasket (Part # 16) to Part # 14, and then use 2 pcs Philips thumb head screw (Part # 22) to install Door barrier strip (Part # 15) to Part # 14;
2. Use 3 pcs ¼" Philips thumb head screw with anti-slip design (Part # 21) to tighten Left side panel welding assembly (Part # 3) to Part # 14;
3. Use 3 pcs Part # 21 to tighten Right side panel welding assembly (Part # 17) to Part # 14;
4. Use 13 pcs Part # 21 to tighten Back panel welding assembly A (Part # 18) and Back panel welding assembly B (Part # 19) with Part # 13, #3 and #17.
5. Do not over-tighten all the screws until parts are lined up.



6.

### Step 3

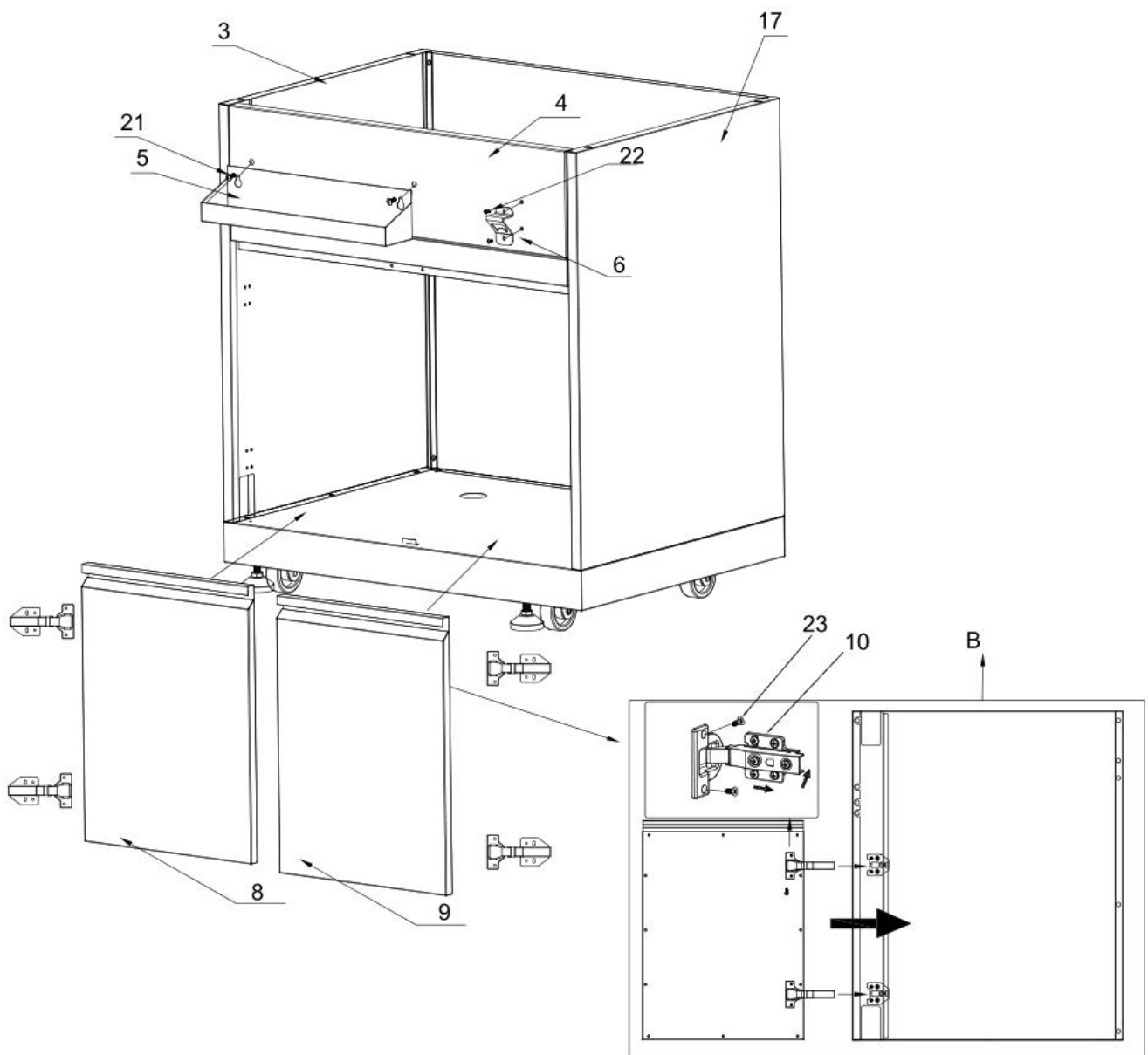
1. Use 4 pcs Part # 21 to connect Beam welding assembly (Part # 7) with Part #3 and #17;
2. Use 4 Part # 21 to connect Decoration panel welding assembly (Part # 4) with Part #3 and #17;
3. Do not over-tighten all the screws until parts are lined up.





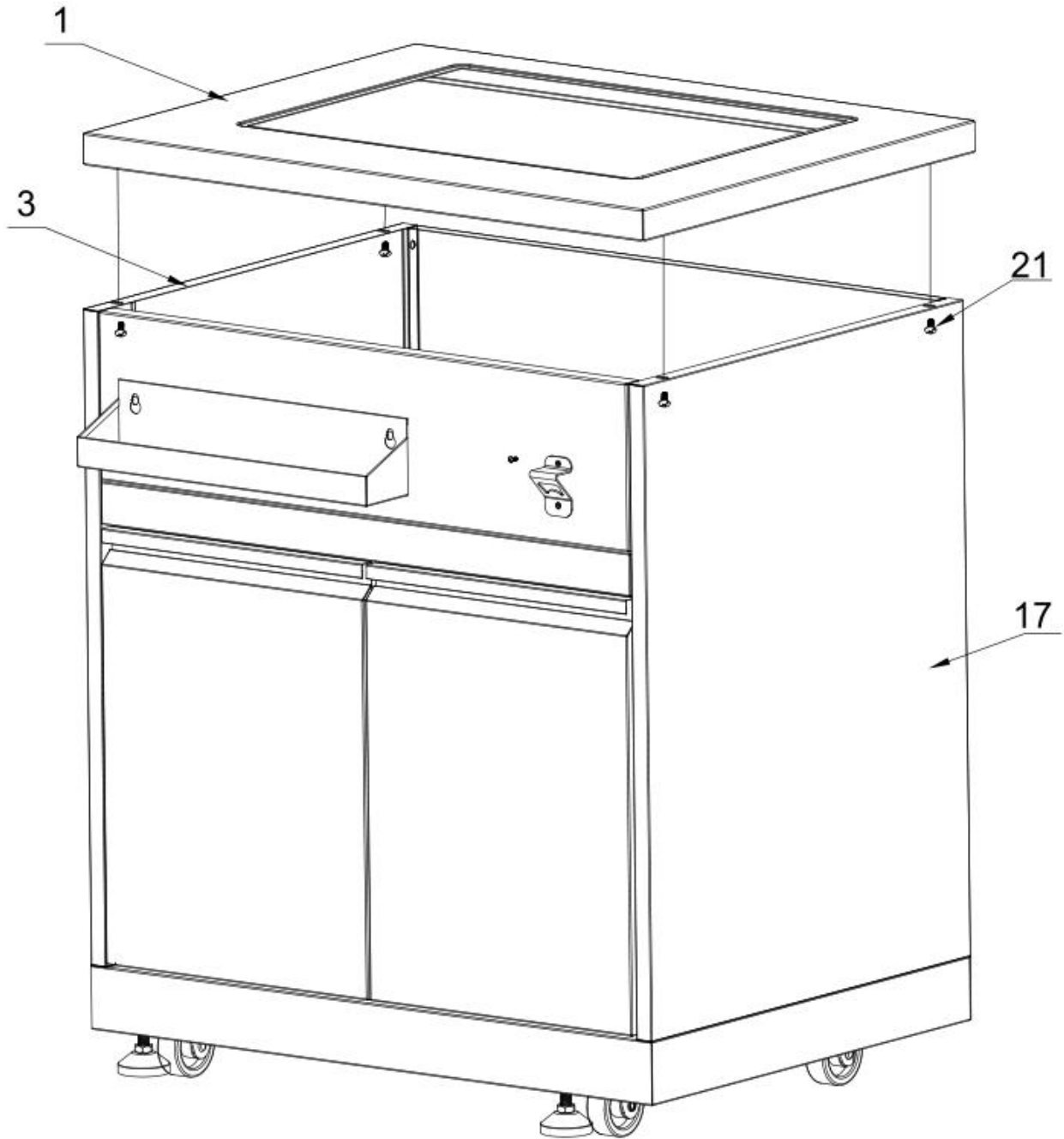
## Step 4

1. Use 2 pcs Part # 21 to connect Condiment holder welding assembly (Part # 5) with Part #4;
2. Use 2 pcs Philips thumb head screw (Part # 22) to connect bottle opener (Part # 6) with Part #4;
3. Use 24 pcs flat head screw (Part # 23, Showing in Picture "B") to install 4 pcs Door hinge with Part # 3, Left door welding assembly (Part # 8), Right door welding assembly (Part # 9) and Right-side panel welding assembly (Part # 17).
4. Install Part # 8 to Part # 3 and install Part # 9 to Part # 17. Do not over-tighten all the screws until parts are lined up.



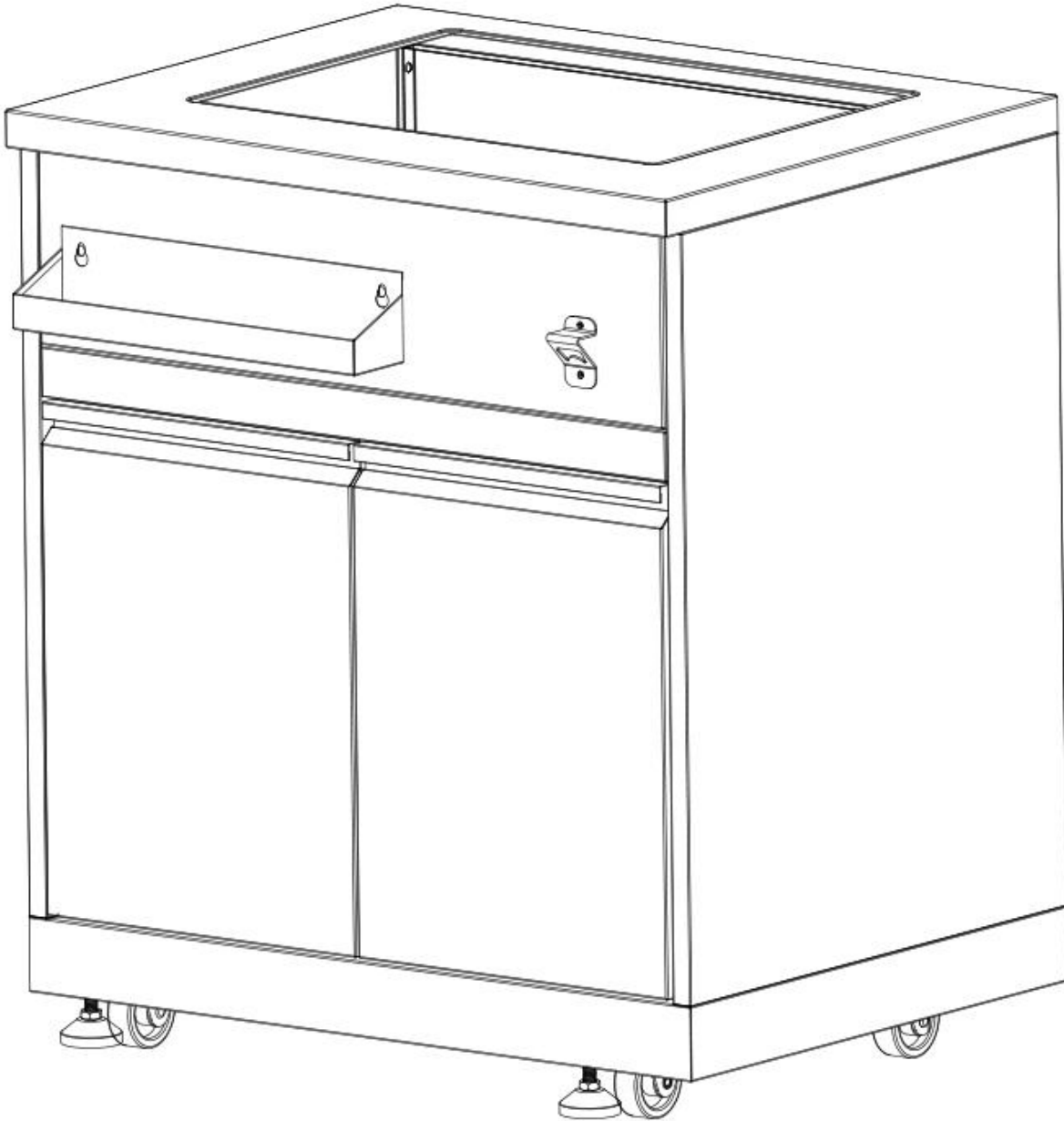
### Step 5

1. Use 4 pcs Part # 21 to install Countertop welding assembly with Part # 3 and # 17, making sure the connection is smooth.



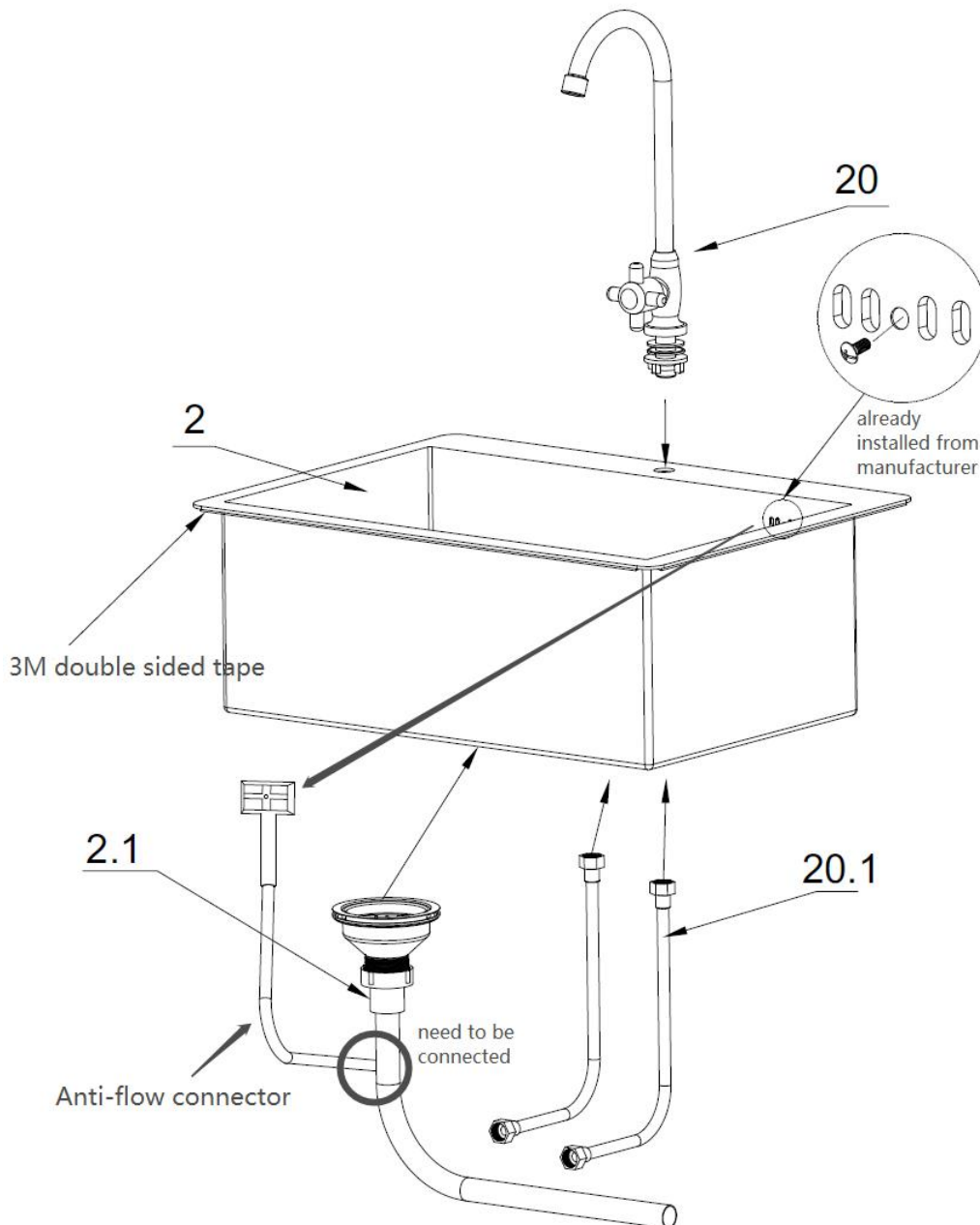
**Step 6**

The Product without faucet and water pipe will be looking like below picture.

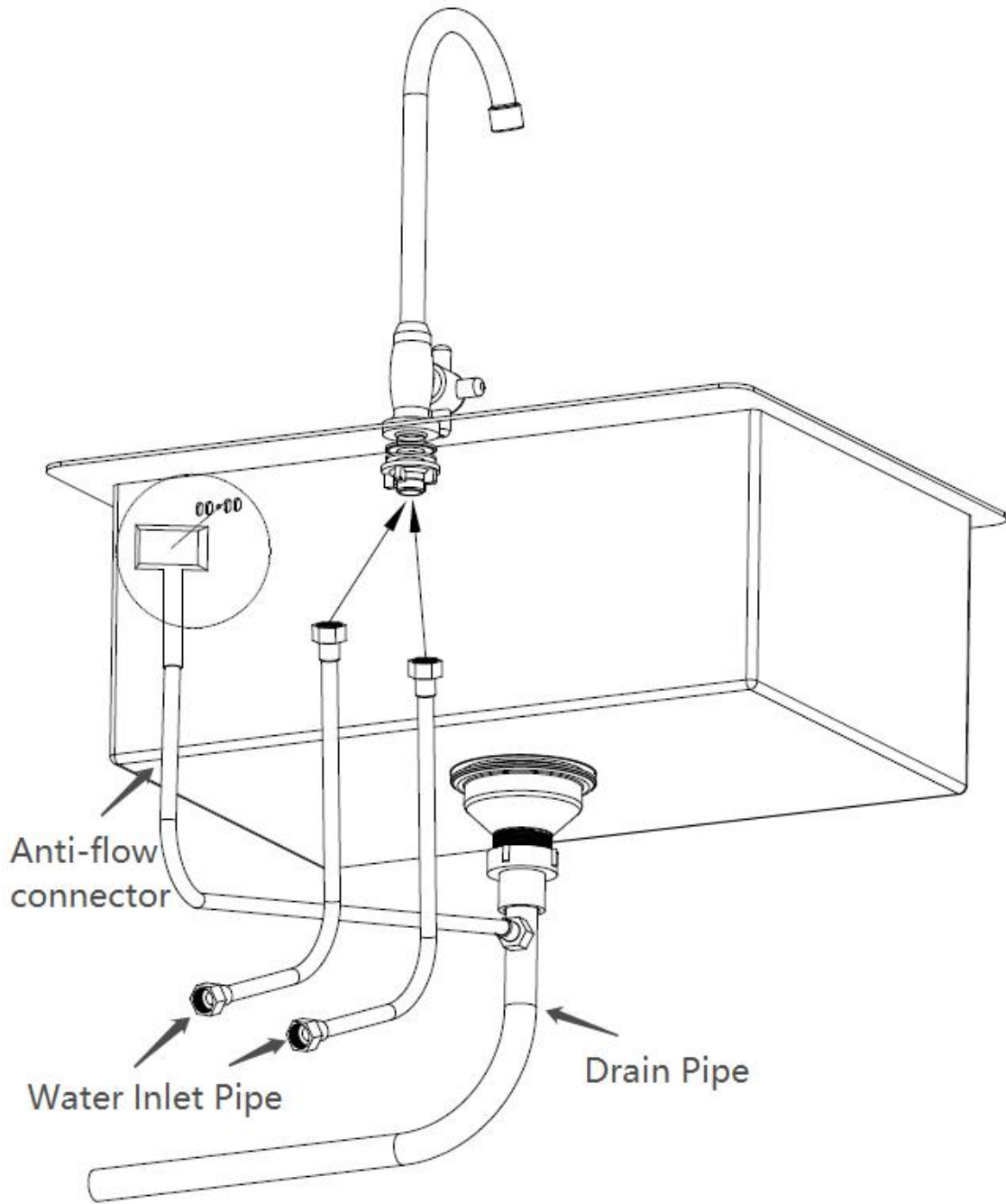


## Step 7

1. Install Faucet (Part # 20) to Water sink (Part # 2), then put 2 pcs water inlet pipe (part of # 18) into the bottom of Part # 20;
2. Put Drain pipe with anti-overflow (Part # 2.1) to the bottom of Part # 2, then use specialized screw 3/16" screw within Part # 2.1 to lock Anti-overflow connector (already installed from the manufacturer), connect anti-flow connector to the side of drain pipe;
3. Take out 3M double sided tape from the edge of the water sink.

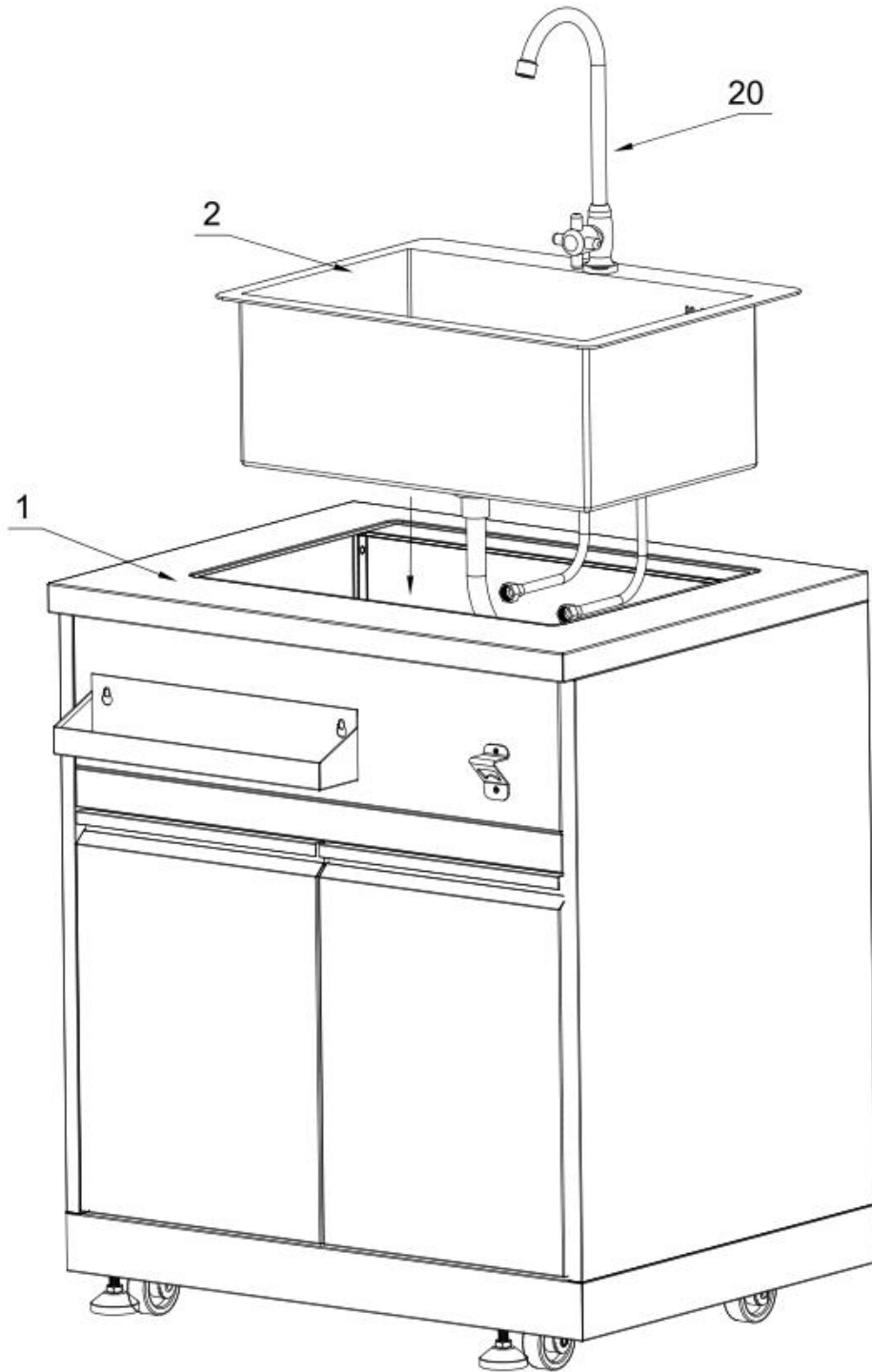


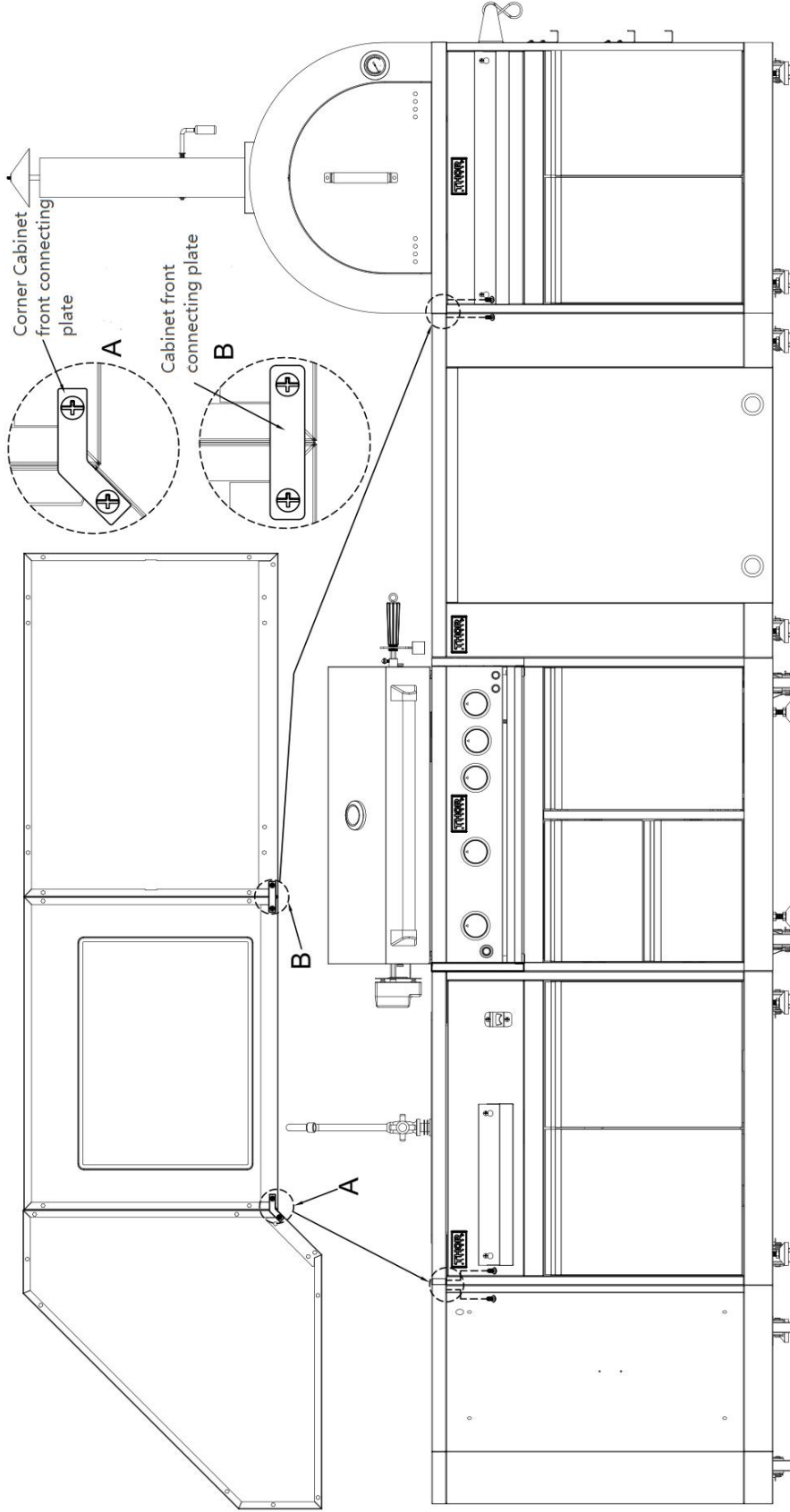
4. For detailed installation information of faucet, see below picture.



## Step 8

1. Put Part # 2 on top of Part # 1 and make sure the connection is tight.

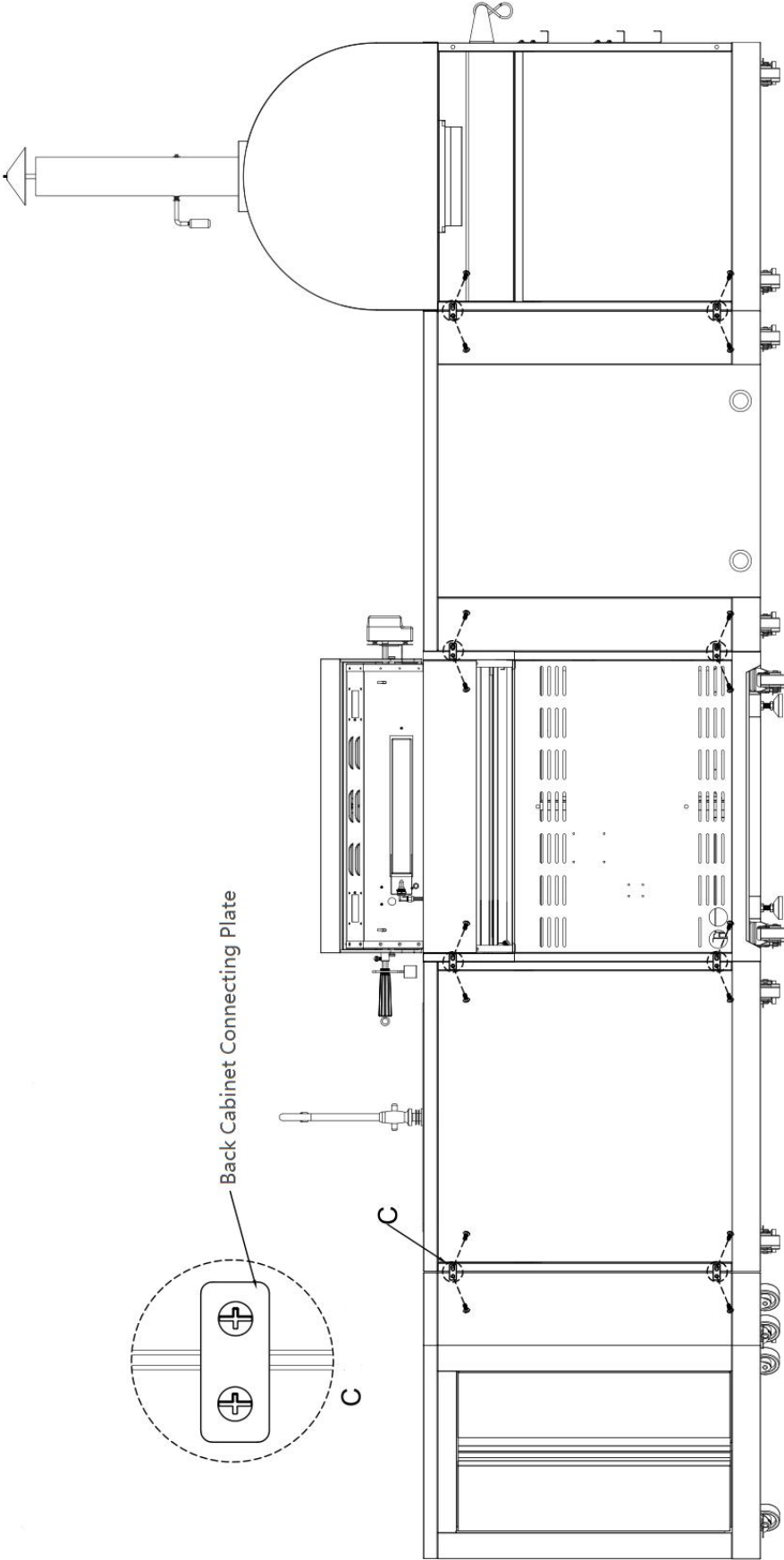




You Thor Kitchen Outdoor Cabinet could be connected with any other Thor Kitchen Our Door Cabinet models.

If you are having a Corner Cabinet and you would like to connect it to another cabinet, use corner cabinet connecting plate with 2 pcs ¼" screws (Part # 06.02.00093-000-A0) to connect both cabinets;

If you are having a Sink Cabinet, Appliance Cabinet or Pizza oven Cabinet, use cabinet connecting plate with 2 pcs ¼" screws to connect both cabinets.



You Thor Kitchen Outdoor Cabinet could be connected with any other Thor Kitchen Our Door Cabinet models.  
For Back Panel Connections, use Back Cabinet connecting plate with 2 pcs 1/4" screws (Part # 06.02.00093-000-A0) to connect both Cabinets.