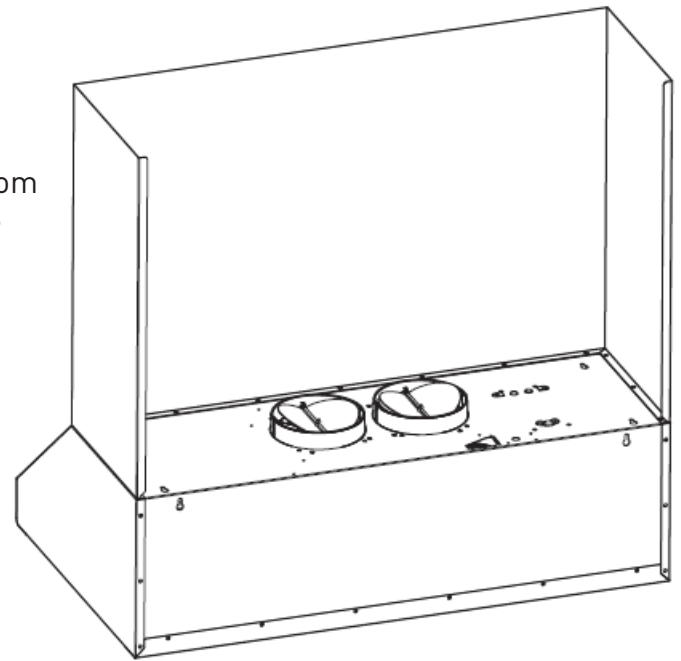


# TELESCOPIC CHIMNEY ASSEMBLY

## CHIMNEY BOTTOM

1. Carefully slide the chimney bottom down outside the chimney] top partly, then carefully place the chimney bottom into the recessed area of the hood body top. Fix it onto the range hood body by 6pcs screws.



## CHIMNEY TOP

1. Place the upper chimney cover onto the assembled lower chimney cover.
2. Assemble the range hood according to the preceding part in this instruction mentioned. Assemble the air guide duct. Finally, lift the upper chimney cover slowly and fix it onto the assembled bracket of the upper chimney cover.
3. If choosing recirculation kit, for the exhausting air smoothly, please make sure that there is a gap of 20mm atleast between the chimney cover and ceiling.

