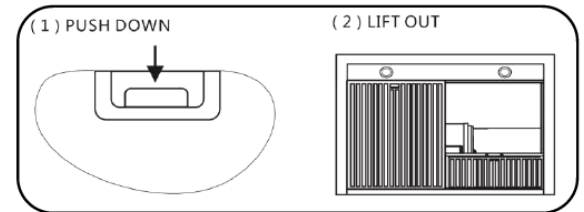
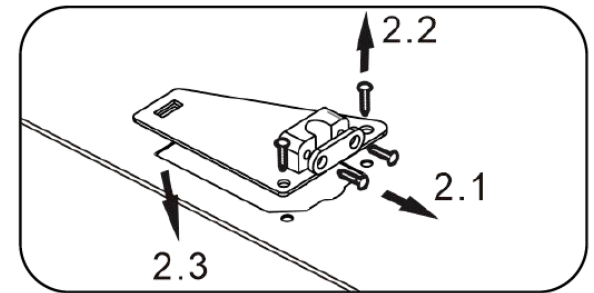


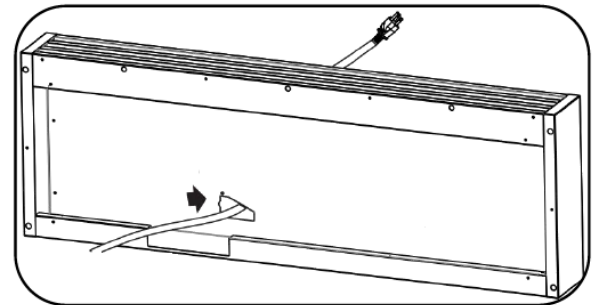
1. Remove the grease filter one by one by pushing down each latch. Tilt the filter downward and remove, taking care not to bend them. Allow them to be dry before refitting.



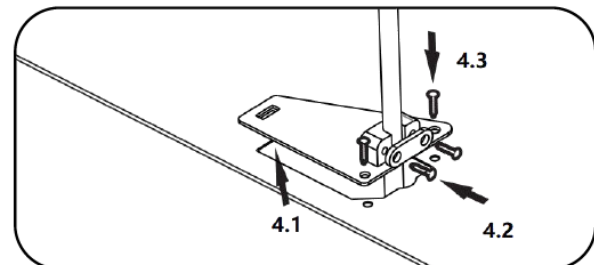
2. Remove and save the power cable clamp on the Recirculating Kit (including all screws removed from the power cable clamp).



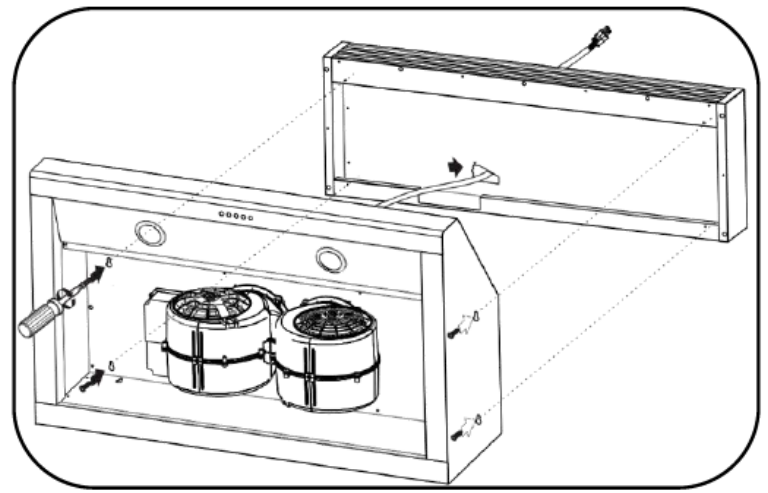
3. Power cord through the power cord hole on the Recirculating Kit.



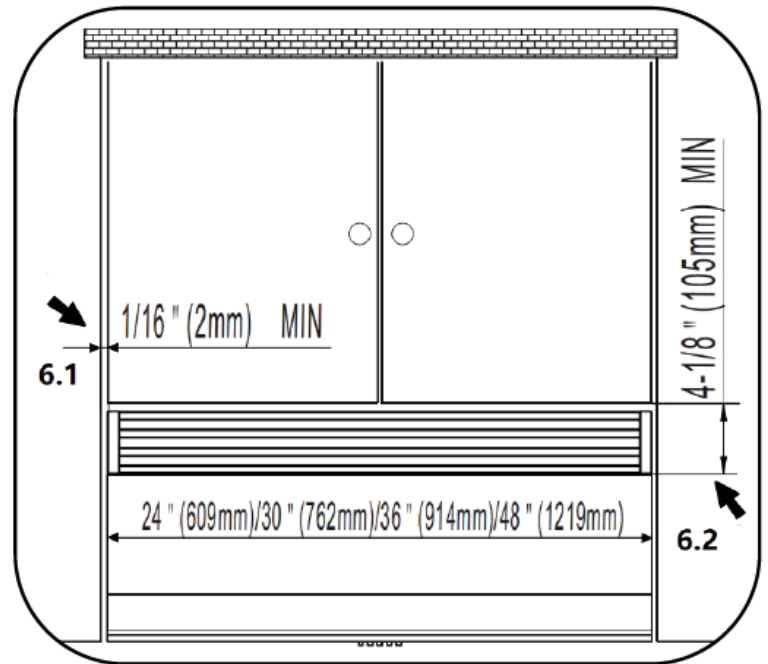
4. Clamp one side of the power cable clip into the power cable hole (4.1), fix the power cord to the cable clamp (4.2), then fix the cable clamp to the Recirculating Kit.



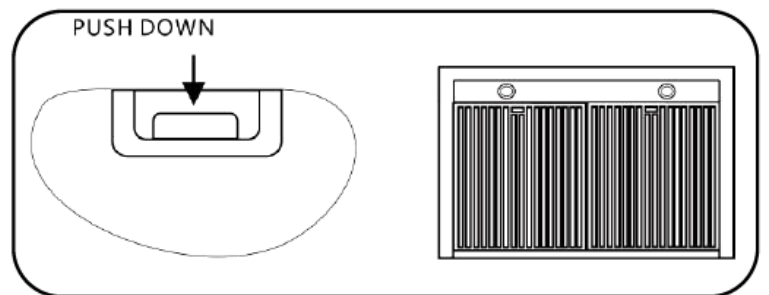
5. Put the Recirculating Kit on corresponding position behind or on the top at range hood, and secure it to the range hood with the matching screw.



6. The reserved size on both sides of the circulation cover and cabinet shall not be less than 1/16" (6.1), and the reserved size between the top of the Recirculating Kit and the bottom of the cabinet shall not be less than 4-1/8" (6.2). Make sure the filter is securely engaged after assembly.



7. Install the grease filter, make sure that the handle is visible from the outside. Align rear filter tabs with slots in the hood. Push down the latch, push filter into position and release. Make sure the filter is securely engaged after assembly.



## WARNING

To reduce the risk of fire, electric shock, or injury to persons, observe the following:

- Use this unit only in the manner intended by the manufacturer. If you have any questions, contact the manufacturer.
- Before servicing or cleaning unit, switch power off at service panel and lock service panel to prevent power from being switched on accidentally.