



SPECIFICATIONS

COS-GRC305KTD Gas Range



Size	30 Inch / 6.1 cu. ft. Capacity
Fuel	Gas
Installation	Freestanding / Slide-In
Controls	Soft Touch Controls & Knobs
Oven	Standard Convection
Material	430-Grade Stainless Steel
Electrical	240V / 60Hz
Racks	2 Racks, 7 Positions
Oven Functions	Bake, Convection Bake, Convection Roast, Pizza, Air Fry, Warm, Broil, Proof
Burners	• Front Left / 16,000 BTU • Front Right / 12,000 BTU • Center & Rear Right / 8,500 BTU • Rear Left / 5,500 BTU

COS-GRC305KTD

Refine your culinary skills when you cook with Cosmo's COS-GRC305KTD Gas Range. The 5 burners and 6.1 cu. ft. convection oven allow you to cook a variety of main dishes, sauces, baked goods and more.

Features

- Designed for freestanding or slide-in
- 5 high-performance sealed burners
- 6.1 cu. ft. capacity convection oven
- 8 oven functions
- Soft touch controls with digital display
- Cast iron grates
- Front control knobs
- Lower storage drawer



Sealed Burners



Metal Knobs



Cast Iron Grates

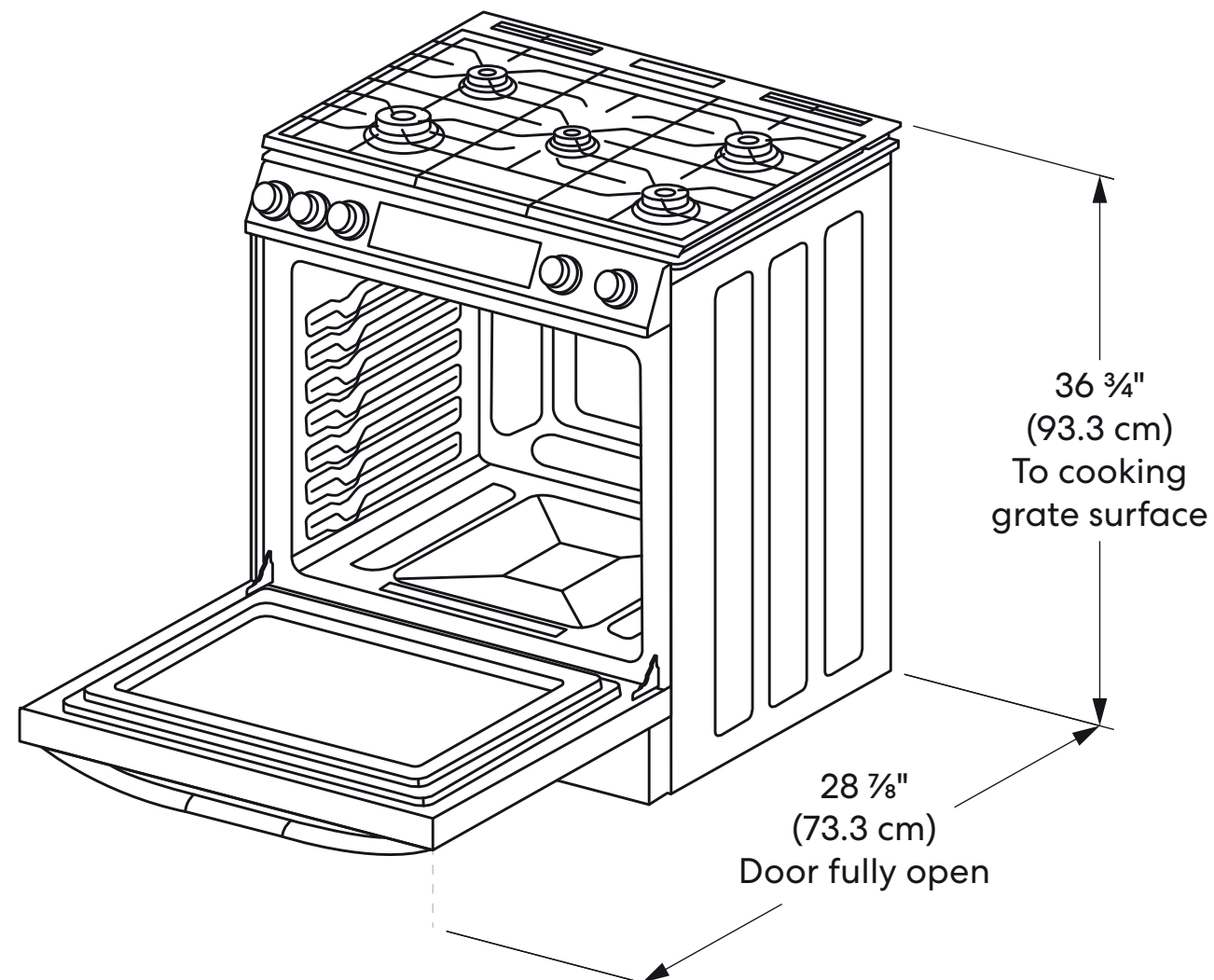
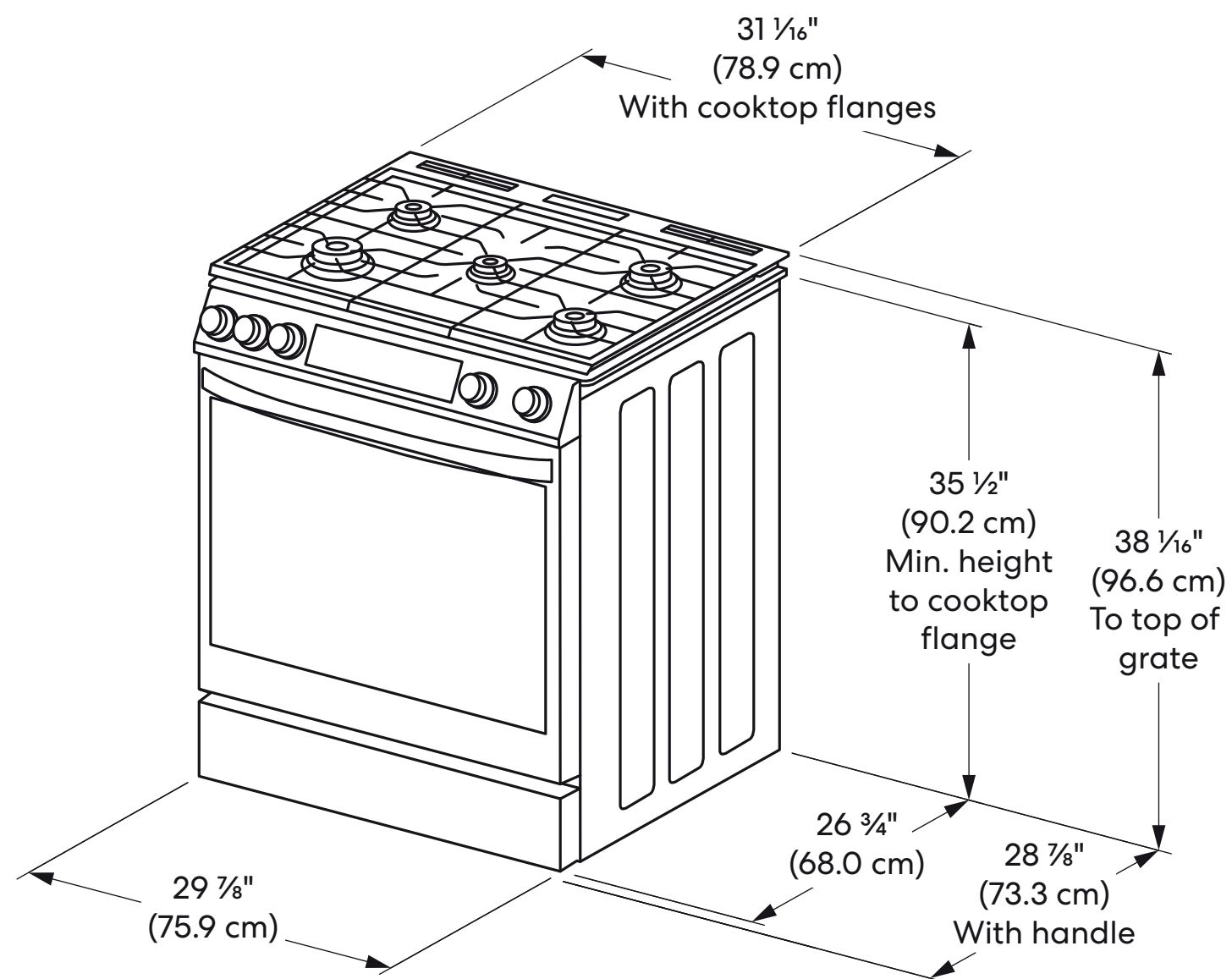


See Page 2 for dimensions



DIMENSIONS

COS-GRC305KTD Gas Range



Dimensions (WxDxH): 29.9" x 26.8" x 38-39.1"