



INSTALLATION MANUAL

MODEL: FMWDR3093-24



Table of Contents

▲ Safety Definitions	2	Dimensions and Cabinet Requirements	6
IMPORTANT SAFETY INSTRUCTIONS	3	General Cabinet Requirements	6
Appliance Handling Safety	3	Outlet Area	6
Safety Codes and Standards	3	Appliance Dimensions	6
Electric Safety	3	Cabinet Dimensions	6
Microwave Safety	3	Electrical Installation	7
GROUNDING INSTRUCTIONS	4	Install Appliance	7
Related Equipment Safety	4	Mount to Cabinet	7
State of California Proposition 65 Warnings	4	Testing Operation	8
Before you begin	5	Warranty & Support	8
Tools and parts needed	5	Before Calling Service	8
Parts included	5	Data Plate	8
Power Requirements	5	Service	8
Checklist for Installation	5	Parts and Accessories	8
Removing Packaging	5		

▲ Safety Definitions

▲ **WARNING**

This indicates that death or serious injuries may occur as a result of non-observance of this warning.

▲ **CAUTION**

This indicates that minor or moderate injuries may occur as a result of non-observance of this warning.

NOTICE: This indicates that damage to the appliance or property may occur as a result of non-compliance with this advisory.

Note: This alerts you to important information and/or tips.

⚠ IMPORTANT SAFETY INSTRUCTIONS

READ AND SAVE THESE INSTRUCTIONS

INSTALLER: LEAVE THESE INSTRUCTIONS WITH THE APPLIANCE AFTER INSTALLATION IS COMPLETE. IMPORTANT: SAVE THESE INSTRUCTIONS FOR THE LOCAL ELECTRICAL INSPECTOR'S USE.

WARNING

If the information in this manual is not followed exactly, fire or shock may result causing property damage or personal injury.

WARNING

Do not repair, replace or remove any part of the appliance unless specifically recommended in the manuals. Improper installation, service or maintenance can cause injury or property damage. Refer to this manual for guidance. All other servicing should be done by an authorized servicer.

Appliance Handling Safety

Unit is heavy and requires at least two people or proper equipment to move.

Do not lift appliance by door handle.

Hidden surfaces may have sharp edges. Use caution when reaching behind or under appliance.

Safety Codes and Standards

This appliance complies with the latest version of one or more of the following standards:

- CAN/CSA C22.2 No. 61 - Household Cooking Ranges
- UL 858 - Household Electric Ranges
- CAN/CSA C22.2 No. 150 - Microwave Ovens
- UL 923 - Microwave Cooking Appliances
- UL 507 - Electric Fans
- CAN/CSA C22.2 No. 113 - Fans and Ventilators

- CSA C22.2 No. 64 - Household Cooking and Liquid-Heating Appliances
- UL 1026 - Electric Household Cooking and Food Serving Appliances

It is the responsibility of the owner and the installer to determine if additional requirements and/or standards apply to specific installations.

Electric Safety

WARNING

Before you plug in an electrical cord or turn on power supply, make sure all controls are in the OFF position.

For appliances equipped with a cord and plug, do not cut or remove the ground prong. It must be plugged into a matching grounding type receptacle to avoid electrical shock. If there is any doubt as to whether the wall receptacle is properly grounded, the customer should have it checked by a qualified electrician.

If required by the National Electrical Code (or Canadian Electrical Code), this appliance must be installed on a separate branch circuit.

Installer - show the owner the location of the circuit breaker or fuse. Mark it for easy reference.

Before installing, turn power OFF at the service panel. Lock service panel to prevent power from being turned ON accidentally.

Be sure your appliance is properly installed and grounded by a qualified technician. Installation, electrical connections and grounding must comply with all applicable codes.

Microwave Safety

PRECAUTIONS TO BE OBSERVED BEFORE AND DURING SERVICING TO AVOID POSSIBLE EXPOSURE TO EXCESSIVE MICROWAVE ENERGY

- Do not operate or allow the oven to be operated with the door open.
- Make the following safety checks on all ovens to be serviced before activating the magnetron or other microwave source, and make repairs as necessary:
 1. Interlock operation
 2. Proper door closing
 3. Seal and sealing surfaces (arcing, wear, and other damage)
 4. Damage to or loosening of hinges and latches
 5. Evidence of dropping or abuse
- Before turning on microwave power for any service test or inspection within the microwave generating compartments, check the magnetron, wave guide or transmission line, and cavity for proper alignment, integrity, and connection.
- Any damaged or misadjusted components in the interlock, monitor, door seal, and microwave generation and transmission systems shall be repaired, replaced, or adjusted by procedures described in this manual before the oven is released to the owner.
- A microwave leakage check to verify compliance with the Federal Performance Standard should be performed on each oven prior to release to the owner.

IMPORTANT SAFETY INSTRUCTIONS

READ AND SAVE THESE INSTRUCTIONS

GROUNDING INSTRUCTIONS

This appliance must be grounded. Grounding reduces the risk of electric shock by providing a safe pathway for electric current in the event of a short circuit.

This appliance is equipped with a cord having a grounding wire with a grounding plug. The plug must be plugged into an outlet that is properly installed and grounded.

WARNING

Improper grounding can result in a risk of electric shock. Consult a qualified electrician if the grounding instructions are not completely understood, or if doubt exists as to whether the appliance is properly grounded. Do not use an extension cord. If the power supply cord is too short, have a qualified electrician install an outlet near the appliance.

Related Equipment Safety

Remove all tape and packaging before using the appliance. Destroy the packaging after unpacking the appliance. Never allow children to play with packaging material.

Never modify or alter the construction of the appliance. For example, do not remove leveling legs, panels, wire covers or anti-tip brackets/screws.

WARNING

To reduce the risk of fire, use only metal ductwork.

CAUTION

For general ventilating use only. Do not use to exhaust hazardous or explosive materials and vapors.

Proposition 65 Warning:

This product may contain a chemical known to the State of California, which can cause cancer or reproductive harm. Therefore, the packaging of your product may bear the following label as required by California:

STATE OF CALIFORNIA PROPOSITION 65 WARNING:

 **WARNING**

Cancer and Reproductive Harm - www.P65Warnings.ca.gov

Before you begin

Tools and parts needed

- Philips head screwdriver
- 1/8" drill bit and drill
- Measuring tape

Parts included

- Microwave oven
- Philips head screws

Power Requirements

The outlet must be properly grounded in accordance with all applicable codes.

It can be installed in the back wall directly behind the appliance.

You can also connect your appliance directly to a compatible conventional Built-in Oven. Refer to separate Combination Instructions.

Checklist for Installation

Use this checklist to verify that you have completed each step of the installation process. This can help you avoid mistakes.

Refer to detailed instructions for each step in the sections following this checklist.

1. Before installing the appliance, be sure to verify the cabinet dimensions are correct for your appliance and that the required electrical connections are present. Make sure the electrical conduit provided on the appliance is able to reach to the point of connection. *Section: Dimensions and Cabinet Requirements*
2. Move the appliance into place in front of the cabinet opening.
Section: Removing Packaging

3. Remove packaging materials, leaving the bottom packaging on the appliance to avoid damage to the floor.

Section: Removing Packaging

4. Team-lift the appliance directly into the cabinet cutout. *Section: Install Appliance, "Mount to Cabinet"*
5. Slide the appliance all the way into place.
Section: Install Appliance, "Mount to Cabinet"
6. Fasten the appliance to the cabinet opening with the screws supplied.
Section: Install Appliance, "Mount to Cabinet"

Always read and follow the complete installation instructions contained in this manual.

Removing Packaging

NOTICE: To prevent damage to your floor keep the unit in its packaging base until ready to be placed in the cabinet opening. Do not slide the unit across the flooring.

Different models use different packaging materials. Bracket remains in packaging base.

1. Cut straps on outside of box.
2. Remove cardboard box.
3. Remove all top and side cardboard and Styrofoam braces.
4. Place oven in front of cabinets where it is to be installed.

NOTICE: To avoid damage to the microwave oven, do not grip or use the door or door handle while the microwave oven is being handled.

Dimensions and Cabinet Requirements

General Cabinet Requirements

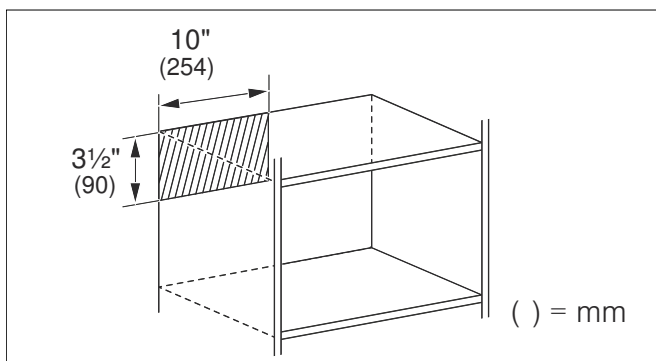
- $\frac{1}{4}$ " (6.4 mm) space between the side of the appliance and an adjacent wall or cabinet door when installed at the end of a cabinet run.
- The cabinet base must be flat and capable of supporting the weight of your appliance when in use. See section *Cabinet Dimensions*.
- The appliance door will overlap the furniture below by approx $\frac{3}{16}$ " (5 mm) when opened.

▲ WARNING

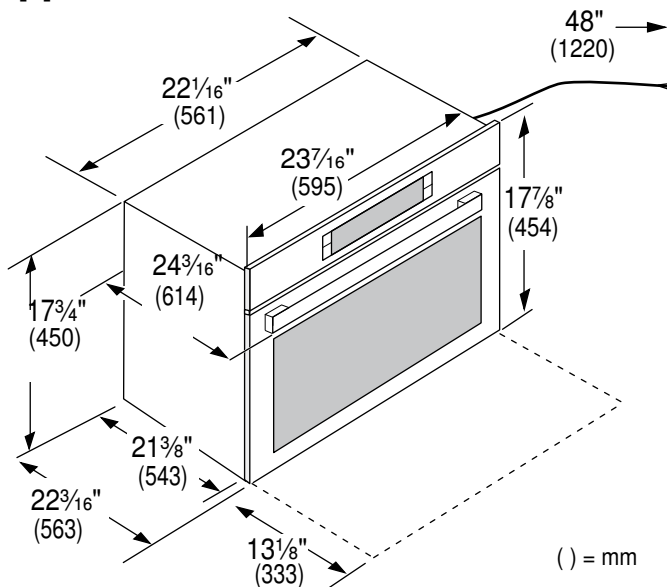
There must be an air gap of at least $\frac{1}{2}$ " (6 mm) between the appliance and the cabinet walls when the appliance is installed, i.e. X" (3 mm) each side.

Outlet Area

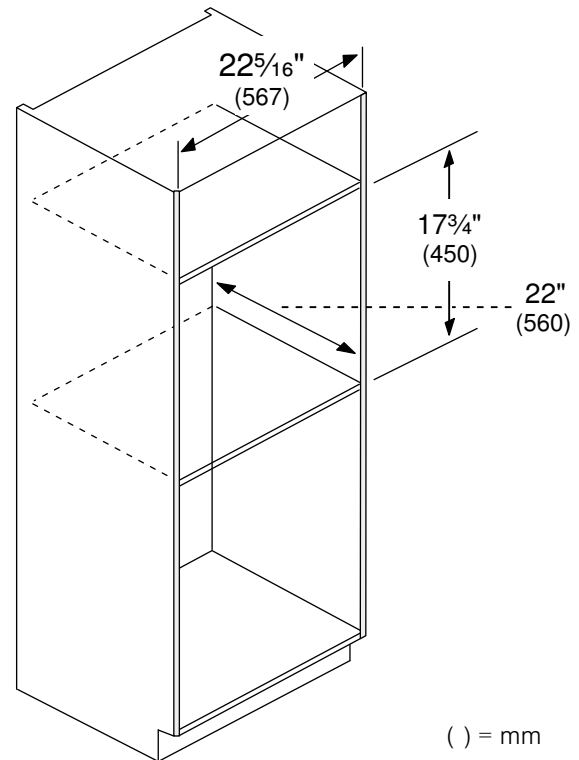
The outlet can be located anywhere within the shaded area. Anywhere within the shaded area, the minimal distance between the appliance and the wall is $\frac{1}{4}$ " in (45 mm).



Appliance Dimensions

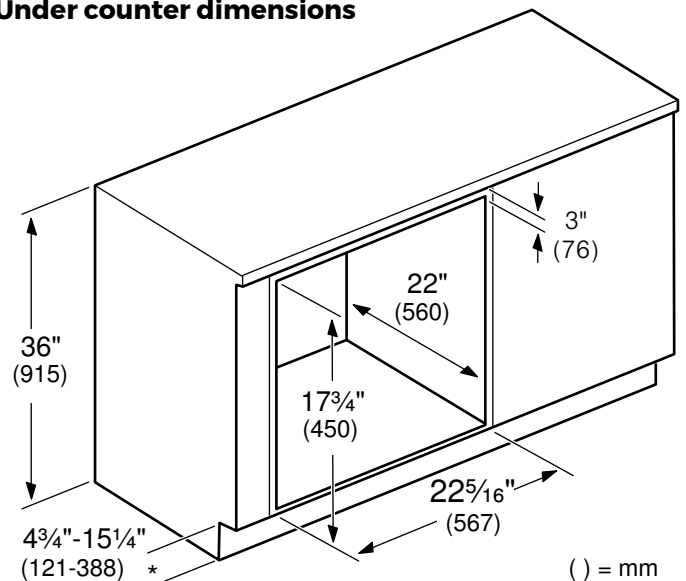


Cabinet Dimensions

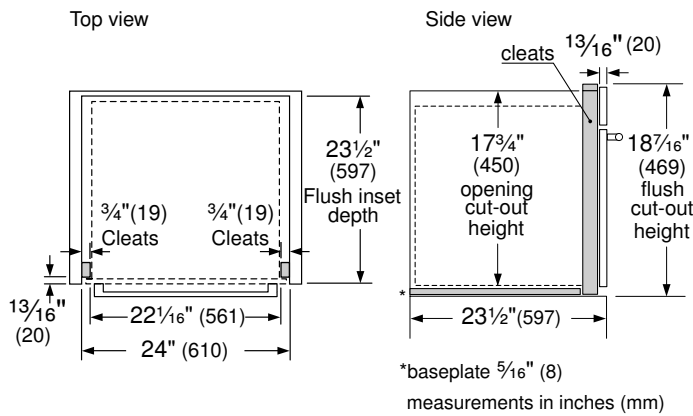


NOTICE: The cabinet base must be flat and capable of supporting a weight of at least 142 lbs (64.1 kg).

Under counter dimensions



Flush installation



Flush installation also requires:

- two side cleats to be attached inside the cabinet frame, recessed from the front
- a 5/16" (8 mm) baseplate underneath the unit body.

Electrical Installation

The model stated on the front cover is rated at 120V AC, 60 Hz and uses a NEMA 5-20 plug to connect to a dedicated 120 V microwave circuit.

Model	Connection	Circuit Requirements	
FMWDR3093-24	NEMA 5-20	120 V,	20 Amps 60 Hz

Electrical Requirements:

- a three prong grounded outlet
- 120 V, 60 Hz, AC only
- 20 Amp electrical supply with a fuse or a circuit breaker

This product must be connected to a supply circuit of the proper voltage and frequency. Wire size must conform to the requirements of the National Electric Code or the prevailing local code for this rating. The power supply cord and plug should be brought to a separate 20-amp branch circuit single grounded outlet. The outlet box should be located inside the cabinet above the appliance (see section *Location Requirements*). The outlet box and supply circuit should be installed by a qualified electrician and conform to the National Electrical Code or the prevailing local code.

The voltage used must be the same as specified on this microwave oven. Using a higher voltage is dangerous and may result in a fire or oven damage. Using a lower voltage will cause slow cooking. The manufacturer is not responsible for any damages resulting from the use of the oven with any voltage other than specified.

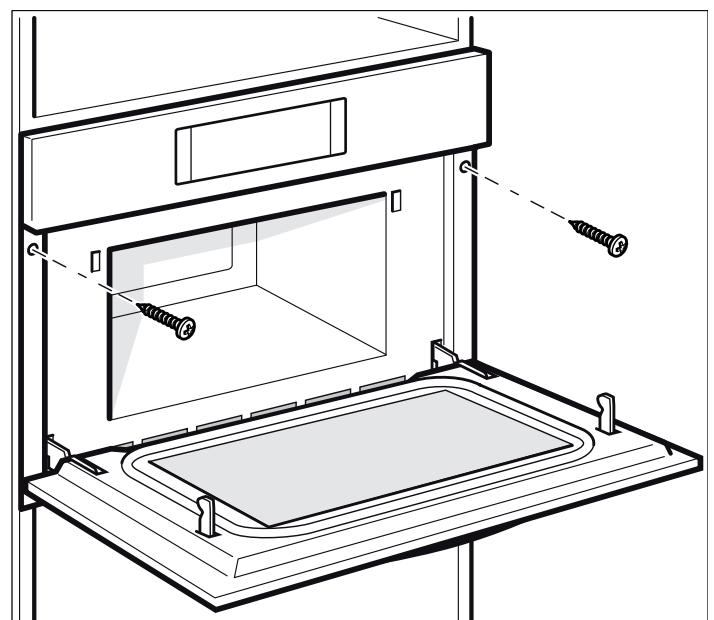
Install Appliance

Note: The appliance is heavy. It is advisable to install it with a second person.

NOTICE: Before installing the appliance, be sure to verify the cabinet dimensions and electrical connections.

Mount to Cabinet

1. Fully insert the appliance and center it. Do not kink the electrical cable.
2. Screw the appliance into place.



Testing Operation

1. Turn on power at the breaker.
2. Test the oven mode:
Select the CONVECTION mode. See the Use and Care Manual for detailed operation instructions.
3. Verify that the oven light comes on and the oven begins to preheat.
4. Test the microwave:
Place a cup of water into the oven cavity. Follow The instructions in the Use and Care Manual on how to heat a beverage.
5. Verify that the oven light comes on and the water is heated.
6. If any of the tests do not result as explained above, contact Service for assistance. Otherwise, the installation is complete at this time.

Before Calling Service

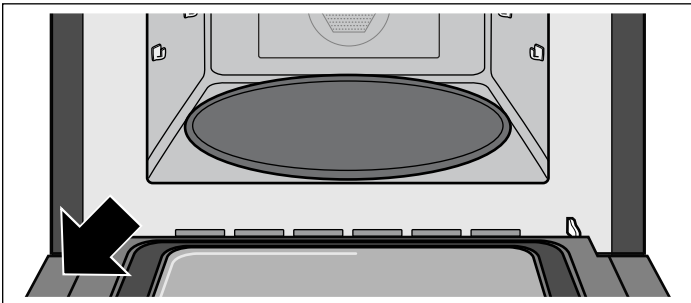
See the Use and Care Manual for troubleshooting information. Refer to the "Statement of Limited Product Warranty" in the Use and Care Manual.

To reach a service representative, see the contact information at the front of the manual or in the following section. Please be prepared with the information printed on your product data plate prior to calling.

Data Plate

The data plate shows the model and serial number. Refer to the data plate on the appliance when requesting service.

The data plate can be found on the inside of the appliance door.



To avoid having to search for each piece of information when calling, you can enter the four items needed in the spaces provided below.

Model No.

Serial-No.

Date of Purchase


Customer Service 



MANUEL D'INSTALLATION
MODÈLE : FMWDR309324



Table des matières

 Définitions de sécurité	2	Liste de contrôle d'installation	5
CONSIGNES DE SÉCURITÉ IMPORTANTES	3	Retrait de l'emballage	5
Sécurité lors de la manipulation de l'appareil.....	3	Dimensions et prédispositions du meuble	6
Normes et codes de sécurité	3	Dispositions générales	6
Sécurité électrique	3	Zone de sortie de prise.....	6
Sécurité en matière de rayonnement microondes.....	3	Dimensions de l'appareil	6
INSTRUCTIONS DE LA MISE À LA TERRE	4	Dimensions du meuble	6
Sécurité relative à l'équipement.....	4	Installation électrique	7
Mise en garde en vertu de la Proposition 65 de l'état de la Californie.....	4	Installation de l'appareil	7
Avant de commencer	5	Montage dans un meuble	7
Outils et pièces nécessaires.....	5	Essai de fonctionnement	8
Pièces incluses	5	Avant d'appeler le service après-vente	8
Besoins électriques.....	5	Plaque signalétique	8

Définitions de sécurité

ATTENTION

Cette mention indique que le non-respect de cet avertissement peut provoquer la mort ou des blessures graves.

ATTENTION

Cette mention indique que le non-respect de cet avertissement peut provoquer des blessures légères ou modérées.

MISE EN GARDE : cette mention indique que, si vous ne respectez pas les instructions qui suivent, vous risquez d'endommager l'appareil ou des biens matériels.

Remarque : cette mention indique que des informations ou des conseils d'une importance vitale vous seront fournis.

CONSIGNES DE SÉCURITÉ IMPORTANTES

LIRE ET CONSERVER CES INSTRUCTIONS

INSTALLATEUR : CONSERVEZ CES INSTRUCTIONS AVEC L'APPAREIL UNE FOIS L'INSTALLATION TERMINÉE. IMPORTANT : CONSERVER CES INSTRUCTIONS POUR LES METTRE À DISPOSITION DE L'INSPECTEUR ÉLECTRICIEN LOCAL.

ATTENTION

Si vous ne respectez pas scrupuleusement les instructions données par ce manuel, vous risquez de provoquer un incendie ou une électrocution pouvant entraîner des dommages matériels, des blessures corporelles.

ATTENTION

Ne réparez, ni ne remplacez, ni ne retirez aucune pièce de l'appareil sauf si les manuels le recommandent spécifiquement. Une mauvaise installation, un mauvais entretien ou une mauvaise maintenance peuvent provoquer des blessures ou des dommages matériels. Chaque fois que nécessaire, consultez ce manuel. Tout autre entretien doit être effectué par un centre de services agréé.

Sécurité lors de la manipulation de l'appareil

L'appareil est lourd : vous aurez besoin d'au moins deux personnes ou d'un équipement adéquat pour le déplacer. Ne soulevez pas l'appareil en le tenant par la poignée de porte.

Les surfaces cachées peuvent être coupantes. Agissez avec prudence lorsque vous êtes sous ou derrière l'appareil.

Normes et codes de sécurité

Cet appareil est conforme avec les dernières versions d'une ou des normes suivantes :

- CAN/CSA C22.2 N° 61 – Cuisinières domestiques
- UL 858 – Cuisinières électriques domestiques
- CAN/CSA C22.2 N° 150 – Fours à microondes
- UL 923 – Appareils de cuisson au microonde
- UL 507 – Ventilateurs électriques
- CAN/CSA C22.2 N° 113 – Ventilateurs et aérateurs
- CSA C22.2 N° 64 – Appareils ménagers de cuisson et de chauffage des liquides
- UL 1026 – Appareils ménagers électriques pour la cuisson et le service des aliments

Le propriétaire et l'installateur sont responsables de déterminer si des dispositions supplémentaires ou d'autres normes s'appliquent à des installations particulières.

Sécurité électrique

ATTENTION

Avant de brancher le cordon électrique ou de mettre l'appareil sous tension, assurez-vous que toutes les commandes sont en position d'arrêt.

Si les appareils sont équipés d'un cordon et d'une fiche, ne supprimez ni n'éliminez la broche de terre. En outre, ils doivent être branchés à une prise électrique reliée à la terre adéquate pour éviter tout risque d'électrocution. Si vous avez des doutes que la prise murale choisie ne soit pas reliée à la terre, faites-la vérifier par un électricien qualifié.

Pour respecter le Code national de l'électricité (ou le Code canadien de l'électricité), cet appareil doit être connecté sur un circuit de dérivation distinct.

L'installateur doit montrer l'emplacement du disjoncteur ou du fusible au propriétaire. Notez-le pour ne pas l'oublier. Avant installation, mettez hors tension l'appareil au niveau du panneau de service. Verrouillez le panneau de service pour éviter toute mise sous tension involontaire.

Assurez-vous que votre appareil est correctement installé et mis à la terre en confiant l'installation à un technicien qualifié. L'installation, les branchements électriques et la mise à la terre doivent être conformes aux codes en vigueur.

Sécurité en matière de rayonnement microondes

PRÉCAUTIONS À OBSERVER AVANT ET PENDANT L'ENTRETIEN AFIN D'ÉVITER UNE EXPOSITION POSSIBLE À UNE ÉNERGIE MICROONDES EXCESSIVE

- N'utilisez pas et ne permettez pas d'utiliser le four avec la porte ouverte.
- Effectuez les contrôles de sécurité suivants sur tous les fours à entretenir avant d'activer le magnétron ou une autre source à microondes, et effectuer les réparations nécessaires :

1. Fonctionnement du verrouillage
2. Fermeture de la porte correcte
3. Parois parfaitement hermétiques (arc électrique, usure et autres dommages)
4. Charnières et verrous endommagés
5. Preuve de chute ou d'abus

- Avant de mettre sous tension le microonde pour tout test d'entretien ou inspection dans les compartiments de génération de microondes, vérifiez l'alignement, l'intégrité et la connexion du magnétron, du guide d'ondes ou de la ligne de transmission, et de la cavité.
- Tous les composants endommagés ou mal ajustés des systèmes de verrouillage, de surveillance, de fermeture de porte et de génération et de transmission microondes doivent être réparés, remplacés ou réglés selon les procédures décrites dans le présent manuel avant de remettre le four au propriétaire.
- Un contrôle de fuites de microondes pour vérifier la conformité avec la Norme fédérale de performance devrait être effectué sur chaque four avant de les remettre au propriétaire.

CONSIGNES DE SÉCURITÉ IMPORTANTES

LIRE ET CONSERVER CES INSTRUCTIONS

INSTRUCTIONS DE LA MISE À LA TERRE

Cet appareil doit être mis à la terre. En cas de court-circuit, la mise à la terre réduit le risque d'électrocution en fournissant un chemin de décharge sûr pour le courant électrique.

Cet appareil est équipé avec un fil électrique ayant un conducteur et une prise de terre. La fiche doit être branchée dans une prise correctement installée et mise à la terre.

ATTENTION

Une mauvaise mise à la terre peut entraîner un risque d'électrocution. Consulter un électricien qualifié si les instructions de mise à la terre ne sont pas parfaitement comprises ou si un doute existe sur la bonne mise à la terre de l'appareil. N'utilisez pas de rallonge. Si le cordon d'alimentation est trop court, demandez à un électricien qualifié d'installer une prise près de l'appareil.

Sécurité relative à l'équipement

Ôtez tout adhésif et tout matériau d'emballage avant d'utiliser l'appareil. Éliminez les emballages une fois l'appareil déballé. Ne laissez pas les enfants jouer avec les matériaux d'emballage.

Ne modifiez jamais ni n'altérez la structure de l'appareil. Par exemple, ne retirez pas les pieds de mise à niveau, les panneaux, les cache-fils et les vis/supports antirenversement.

ATTENTION

Pour réduire les risques d'incendie, utilisez uniquement des conduits en métal.

ATTENTION

Pour ventilation générale seulement. Ne pas utiliser pour évacuer des substances et vapeurs dangereuses ou explosives.

Mise en garde en vertu de la Proposition 65 de l'état de la Californie

Ce produit contient des produits chimiques dont l'État de Californie a conscience qu'ils provoquent des cancers ou des troubles de l'appareil reproducteur. Par conséquent, l'emballage du produit doit porter l'étiquette suivante conformément à la loi de l'état de la Californie :

AVERTISSEMENTS DE LA PROPOSITION 65 DE L'ÉTAT DE CALIFORNIE :

 **ATTENTION**

Cancérogènes et reprotoxiques — www.P65Warnings.ca.gov

Avant de commencer

Outils et pièces nécessaires

- Tournevis à tête cruciforme
- Perceuse et forêt 3 mm
- mètre-ruban

Pièces incluses

- Four à microondes
- Vis à tête cruciforme

Besoins électriques

La prise doit être correctement reliée à la mise en terre conformément à tous les codes en vigueur. Elle peut être installée sur la paroi arrière directement derrière l'appareil.

Vous pouvez également raccorder votre appareil directement à un four conventionnel encastrable compatible. Consultez les instructions de combinaison distinctes.

Liste de contrôle d'installation

Vérifiez à l'aide de cette liste que vous avez terminé chaque étape de la procédure d'installation. Elle vous évitera de commettre des erreurs.

Consultez les instructions détaillées pour chaque étape dans les paragraphes qui suivent cette liste de contrôle.

1. Avant d'installer l'appareil, vérifiez que les dimensions du meuble sont adaptées à l'appareil et que les branchements électriques nécessaires sont présents. Assurez-vous que les conduites électriques prédisposées sur l'appareil permettent d'accéder au point de raccordement.
Paragraphe : Dimensions et prédispositions du meuble
2. Placez l'appareil devant l'ouverture du meuble.
Paragraphe : Retrait de l'emballage

3. Retirez les matériaux d'emballage, en laissant le fond de l'emballage sur l'appareil pour éviter d'endommager le plancher.

Paragraphe : Retrait de l'emballage

4. Soulevez à plusieurs directement l'appareil dans la découpe du meuble.
Paragraphe : Installation de l'appareil et encastrement dans le meuble
5. Faites glisser tout l'appareil dans le logement.
Paragraphe : Installation de l'appareil et encastrement dans le meuble
6. Fixez l'appareil dans l'ouverture du meuble à l'aide des vis fournies.
Paragraphe : Installation de l'appareil et encastrement dans le meuble

Lisez et suivez toujours les instructions d'installation de ce manuel dans leur intégrité.

Retrait de l'emballage

MISE EN GARDE : pour éviter d'endommager votre plancher, gardez l'appareil dans la base de l'emballage jusqu'à ce que vous soyez prêt à l'encastrer dans l'ouverture du meuble. Ne faites pas glisser l'appareil sur le plancher.

Chaque modèle utilise d'autres matériaux d'emballage. Le support reste dans la base de l'emballage.

1. Coupez les sangles à l'extérieur de la boîte.
2. Retirez la boîte en carton.
3. Retirez tous les cartons du haut et sur le côté et le polystyrène expansé.
4. Placez le four devant le meuble où vous voulez l'installer.

MISE EN GARDE : pour éviter d'endommager le four à microondes, ne saisissez pas ni n'utilisez la porte ou la poignée de porte pour manipuler l'appareil.

Dimensions et prédispositions du meuble

Dispositions générales

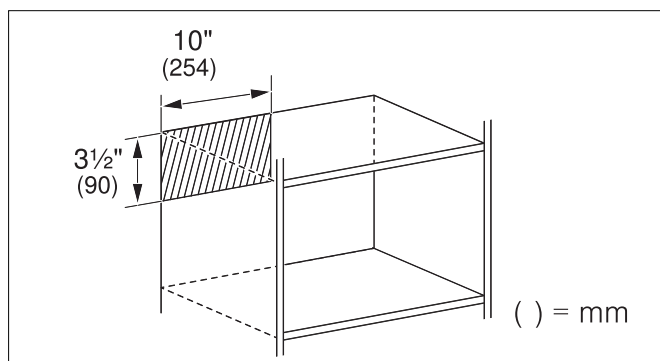
- Laissez un espace de 6,4 mm entre les parois latérales de l'appareil et la porte du meuble ou le mur adjacent lorsque vous l'installez au bout d'un bloc d'armoire.
- La base du meuble doit être plane et soutenir le poids de votre appareil alors qu'il est utilisé. Consultez le paragraphe sur les dimensions du meuble.
- Lorsqu'elle est ouverte, la porte de l'appareil recouvre le meuble situé en dessous d'environ 5 mm.

⚠ ATTENTION

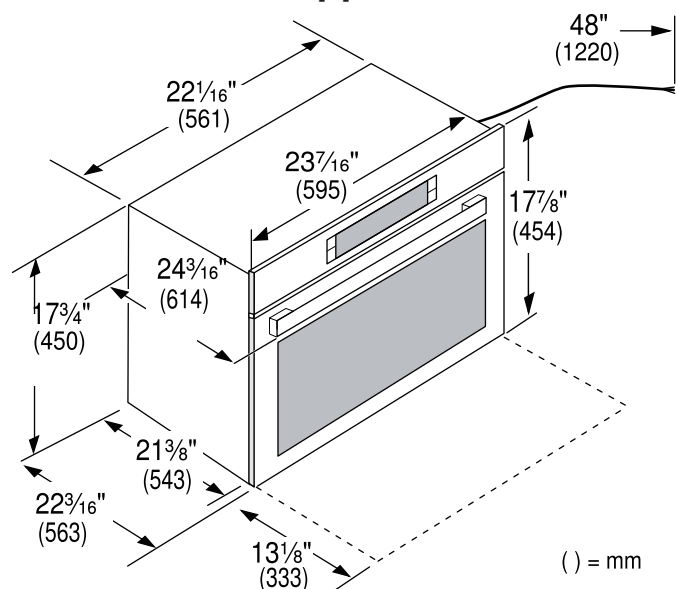
Vous devez laisser un écartement d'au moins 6 mm entre l'appareil et les parois du meuble lorsque vous installez l'appareil, c'est-à-dire 3 mm de chaque côté.

Zone de sortie de prise

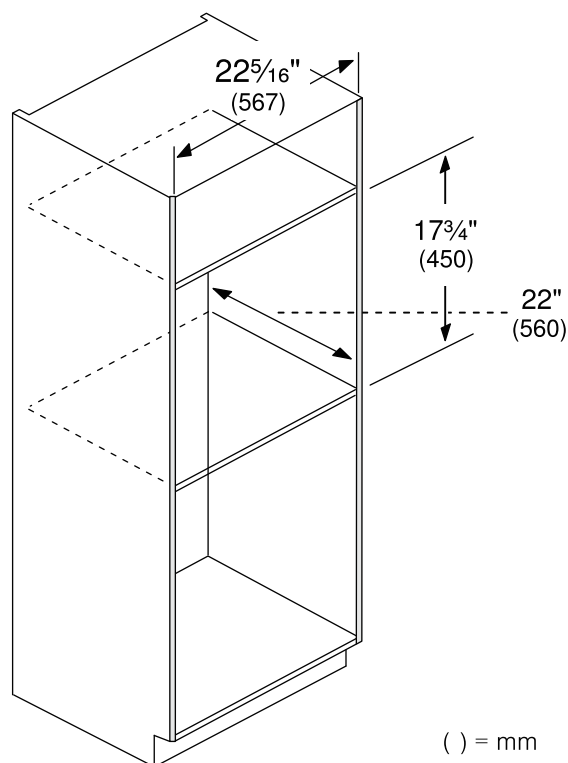
Placez la prise n'importe où dans la zone hachurée. Dans la zone hachurée, l'écart minimal entre l'appareil et la paroi est de 45 mm.



Dimensions de l'appareil

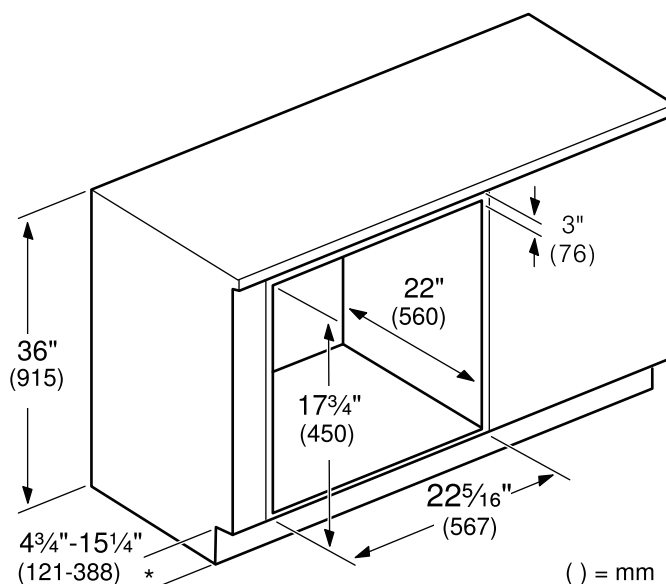


Dimensions du meuble



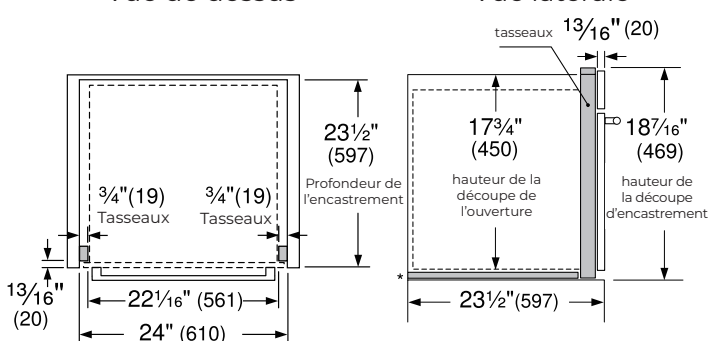
MISE EN GARDE : la base du meuble doit être plane et soutenir un poids d'au moins 64,1 kg.

Dimensions de l'encastrement



Installation en saillie

Vue de dessus



*Plateau d'appui 8 mm
dimensions en mm

L'installation en saillie requiert également :

- deux tasseaux latéraux à fixer à l'intérieur du cadre du meuble, en retrait de la façade
- un plateau d'appui de 8 mm sous le corps de l'appareil

Installation électrique

Le modèle indiqué sur la page de couverture est alimenté en 120 V CA, 60 Hz et est équipé d'une prise NEMA 5-20 qui doit être branchée à un circuit électrique 120 V distinct réservé au microonde.

Modèle	Connexion	Spécifications du circuit électrique	
--------	-----------	--------------------------------------	--

FMWDR3093-24	NEMA 5-20	120 V, 60 Hz	20 A.
--------------	-----------	--------------	-------

Besoins électriques :

- connecteur à trois broches et mise à la terre
- 120 V CA, 60 Hz uniquement
- Alimentation électrique de 20 A équipé d'un fusible ou d'un disjoncteur

Ce produit doit être connecté à un circuit électrique de tension et de fréquence correctes. La section de fil doit se conformer aux dispositions du Code national

de l'électricité ou du code local en vigueur pour cette catégorie. Le cordon et la fiche d'alimentation doivent être raccordés à une prise de courant séparée de 20 A avec mise à la terre. La boîte de la prise de sortie doit être située à l'intérieur de l'armoire au-dessus de l'appareil (voir le paragraphe *Conditions requises pour l'emplacement*). La boîte de la prise de sortie et le circuit d'alimentation doivent être installés par un technicien qualifié et se conformer au Code national de l'électricité ou le code local en vigueur.

La tension utilisée doit être identique à celle indiquée sur le four à microondes. L'utilisation d'une tension supérieure est dangereuse et peut provoquer un incendie ou endommager le four. Une tension inférieure entraînera une cuisson lente. Le fabricant n'est pas responsable des dommages résultant de l'utilisation du four à une tension différente que celle spécifiée.

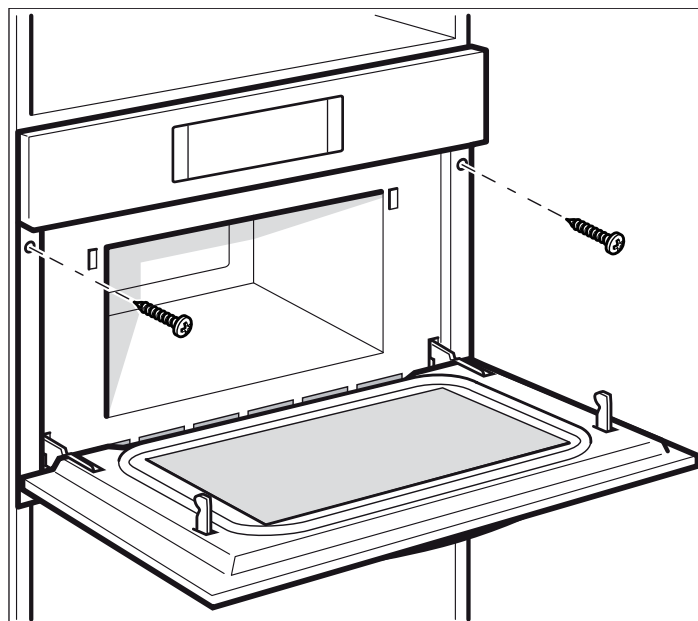
Installation de l'appareil

Remarque : l'appareil est lourd. Nous vous conseillons de l'installer avec une autre personne.

MISE EN GARDE : avant d'installer l'appareil, assurez-vous de vérifier les dimensions du meuble et les raccordements électriques.

Montage dans un meuble

1. Insérez entièrement l'appareil dans le meuble et centrez-le. Ne pliez pas le câble électrique.
2. Vissez l'appareil en place.



Essai de fonctionnement

1. Mettez le courant au niveau du disjoncteur.
2. Testez le mode four :
sélectionnez le mode CONVECTION. Consultez le manuel d'utilisation et d'entretien pour les instructions d'utilisation détaillées.
3. Vérifiez que l'éclairage du four s'allume et que le four commence à préchauffer.
4. Testez le microonde :
placez une tasse d'eau dans la cavité du four. Suivez les instructions du manuel d'utilisation et d'entretien pour savoir comment chauffer une boisson.
5. Vérifiez que l'éclairage du four s'allume et que l'eau chauffe.
6. Si l'un des tests ne donne pas les résultats escomptés, contactez le service après-vente pour obtenir de l'aide. Sinon, l'installation est désormais terminée.

Avant d'appeler le service après-vente

Consultez le manuel d'utilisation et d'entretien pour le dépannage. Reportez-vous à la « Déclaration de garantie limitée du produit » dans le manuel d'utilisation et d'entretien.

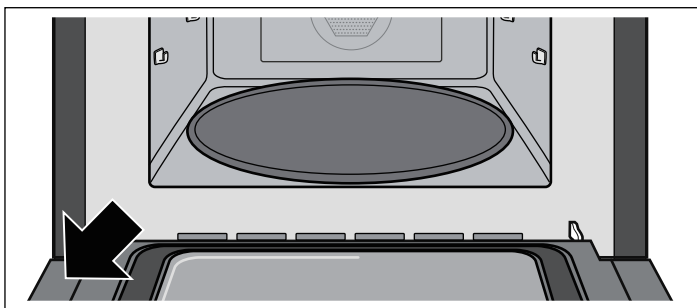
Pour joindre un représentant du service après-vente, consultez les informations de contact au début du manuel ou dans le paragraphe suivant. Veuillez préparer les informations imprimées sur la plaque signalétique du produit avant votre appel.

Plaque signalétique

Vous trouverez le modèle et le numéro de série sur la plaque signalétique.

Reportez-vous à la plaque signalétique située sur l'appareil lorsque vous faites appel au service après-vente.

La plaque signalétique se trouve à l'intérieur de la porte du four.



Pour éviter de devoir rechercher les informations lors de votre appel, vous pouvez saisir les quatre éléments nécessaires dans les espaces prévus ci-dessous.

N° de modèle

N° de série

Date d'achat

Service clientèle ☎
