



INSTRUCTION MANUAL

**MODEL: EM034D4NA
FMWDR300024**

Read these instructions carefully before using your microwave oven, and keep it carefully.

If you follow the instructions, your oven will provide you with many years of good service.

SAVE THESE INSTRUCTIONS CAREFULLY

Customer Care

Thank you for purchasing a FORNO product. Please read the entire instruction manual before operating your new appliance for the first time. Whether you are an occasional user or an expert, it will be beneficial to familiarize yourself with the safety practices, features, operation and care recommendations of your appliance.

Both the model number and serial number are listed on the product. For warranty purposes, you will also need the date of purchase. Record this information below for future reference.

SERVICE INFORMATION

Model Number:

Use these numbers in any correspondence or service calls concerning your appliance.

Serial Number:

If you received a damaged appliance, immediately contact the dealer (or builder) that sold you the appliance

Date of Purchase:

Purchase Address & Phone:

Save time and money. Before you call for service, check the Troubleshooting Guide. It lists the causes of minor operating problems that you can correct yourself.

SERVICE IN CANADA:

Keep the instruction manual handy to answer your questions. If you don't understand something or you need more assistance, please call our Customer Service: 1-800-561-7265

Or email: service@distinctive-online.com

Or contact : CTM Household Appliances Inc.

11 420 Albert Hudon, Montréal, Québec H1G 3J6, Canada

SERVICE IN THE UNITED STATES:

Keep the instruction manual handy to answer your questions. If you don't understand something or you need more assistance, please call our Customer Service: 1-866-231-8893

Or email: info@forno.ca

The instruction manual can be downloaded from www.forno.ca

If your appliance ever requires servicing, be sure to use a **FORNO** Factory Certified Service provider recommended by our customer care center. All Factory Certified Service providers are carefully selected and thoroughly trained by us.

PRECAUTIONS TO AVOID POSSIBLE EXPOSURE TO EXCESSIVE MICROWAVE ENERGY

- (a) Do not attempt to operate this oven with the door open since open door operation can result in harmful exposure to microwave energy.
It is important not to defeat or tamper with the safety interlocks.
- (b) Do not place any object between the oven front face and the door or allows soil or cleaner residue to accumulate on sealing surfaces.
- (c) Do not operate the oven if it is damaged. It is particularly important that the oven door close properly and that there is no damage to the:
 - (1) DOOR (bent)
 - (2) HINGES AND LATCHES (broken or loosened)
 - (3) DOOR SEALS AND SEALING SURFACES
- (d) The oven should not be adjusted or repaired by anyone except properly qualified service personnel.

Specifications

Model:	EM034D4NA FMWDR300024
Rated Voltage:	120V~ 60Hz
Rated Input Power(Microwave):	1500W
Rated Output Power(Microwave):	1000W
Oven Capacity:	34L
External Dimensions (WxHxD):	600x380x640mm
Net Weight:	Approx. 31.96Kg

IMPORTANT SAFETY INSTRUCTIONS

When using electrical appliances basic safety precautions should be followed, including the following:

WARNING - To reduce the risk of burns, electric shock, fire, injury to persons or exposure to excessive microwave energy:

1. Read all instructions before using the appliance.
2. Read and follow the specific: "PRECAUTIONS TO AVOID POSSIBLE EXPOSURE TO EXCESSIVE MICROWAVE ENERGY" found on page 2.
3. This appliance must be grounded. Connect only to properly grounded outlet. See "GROUNDING INSTRUCTIONS" found on page 5.
4. Install or locate this appliance only in accordance with the provided installation instructions.
5. Some products such as whole eggs and sealed containers - for example, closed glass jars - are able to explode and should not be heated in this oven.
6. Use this appliance only for its intended use as described in the manual. Do not use corrosive chemicals or vapors in this appliance. This type of oven is specifically designed to heat, cook or dry food. It is not designed for industrial or laboratory use.
7. As with any appliance, close supervision is necessary when used by children.
8. Do not operate this appliance if it has a damaged cord or plug, if it is not working properly, or if it has been damaged or dropped.
9. This appliance should be serviced only by qualified service personnel. Contact nearest authorized service facility for examination, repair, or adjustment.
10. Do not cover or block any openings on the appliance.
11. Do not store this appliance outdoors. Do not use this product near water - for example, near a kitchen sink, in a wet basement, near a swimming pool, or similar location.
12. Do not immerse cord or plug in water.
13. Keep cord away from heated surface.
14. Do not let cord hang over edge of table or counter.
15. When cleaning surfaces of door and oven that comes together on closing the door, use only mild, nonabrasive soaps, or detergent applied with a sponge or soft cloth.
16. To reduce the risk of fire in the oven cavity:
 - 1). Do not overcook food. Carefully attend appliance when paper, plastic, or other combustible materials are placed inside the oven to facilitate cooking.
 - 2). Remove wire twist-ties from paper or plastic bag before placing bag in oven.
 - 3). If material inside of the oven ignite, keep oven door closed, turn oven off, and disconnect the power cord, or shut off power at the fuse or circuit breaker panel.
 - 4). Do not use the cavity for storage purposes. Do not leave paper products, cooking utensils, or food in the cavity when not in use.
17. Liquids, such as water, coffee, or tea are able to be overheated beyond the boiling point without appearing to be boiling. Visible bubbling or boiling when the container is removed from the microwave oven is not always present.

THIS COULD RESULT IN VERY HOT LIQUID SUDDENLY BOILING OVER WHEN THE CONTAINER IS DISTURBED OR A UTENSIL IS INSERTED INTO THE LIQUID.

To reduce the risk of injury to persons:

- 1) Do not overheat the liquid.
 - 2) Stir the liquid both before and halfway through heating it.
 - 3) Do not use straight-sided containers with narrow necks.
 - 4) After heating, allow the container to stand in the microwave oven for a short time before removing the container.
 - 5) Use extreme care when inserting a spoon or other utensil into the container.
18. Do not operate any heating or cooking appliance beneath the appliance.
 19. Do not mount unit over or near any portion of heating or cooking appliance.
 20. Do not mount over sink.
 21. Do not store anything directly on top of the appliance surface when the appliance is in operation.

SAVE THESE INSTRUCTIONS

GROUNDING INSTRUCTIONS

This appliance must be grounded. In the event of an electrical short circuit, grounding reduces the risk of electric shock by providing an escape wire for the electric current. This appliance is equipped with a cord having a grounding wire with a grounding plug. The plug must be plugged into an outlet that is properly installed and grounded.

WARNING - Improper use of the grounding can result in a risk of electric shock.

Consult a qualified electrician or serviceman if the grounding instructions are not completely understood, or if doubt exists as to whether the appliance is properly grounded. If it is necessary to use an extension cord, use only a 3-wire extension cord that has a 3-blade grounded plug, and 3-slot receptacle that will accept the plug on the appliance. The marked rating of the extension cord shall be equal to or greater than the electrical rating of the appliance.

DANGER - Electric Shock Hazard

Touching some of the internal components can cause serious personal injury or death. Do not disassemble this appliance.

WARNING - Electric Shock Hazard

Improper use of the grounding can result in electric shock. Do not plug into an outlet until appliance is properly installed and grounded.

1. A short power-supply cord is provided to reduce the risks resulting from becoming entangled in or tripping over a longer cord.
2. Longer cord sets or extension cords are available and may be used if care is exercised in their use.
3. If a long cord or extension cord is used:
 - 1) The marked electrical rating of the cord set or extension cord should be at least as great as the electrical rating of the appliance.
 - 2) The extension cord must be a grounding-type 3-wire cord.
 - 3) The longer cord should be arranged so that it will not drape over the counter top or tabletop where it can be pulled on by children or tripped over unintentionally.

RADIO INTERFERENCE

1. Operation of the microwave oven may cause interference to your radio, TV or similar equipment.
2. When there is interference, it may be reduced or eliminated by taking the following measures:
 - 1) Clean door and sealing surface of the oven
 - 2) Reorient the receiving antenna of radio or television.
 - 3) Relocate the microwave oven with respect to the receiver.
 - 4) Move the microwave oven away from the receiver.
 - 5) Plug the microwave oven into a different outlet so that microwave oven and receiver are on different branch circuits.

UTENSILS

CAUTION - Personal Injury Hazard

Tightly-closed utensils could explode. Closed containers should be opened and plastic pouches should be pierced before cooking.

See the instructions on "Materials you can use in microwave oven or to be avoided in microwave oven."

There may be certain non-metallic utensils that are not safe to use for microwaving. If in doubt, you can test the utensil in question following the procedure below.

Utensil Test:

1. Fill a microwave-safe container with 1 cup of cold water (250ml) along with the utensil in question.
2. Cook on maximum power for 1 minute.
3. Carefully feel the utensil. If the empty utensil is warm, do not use it for microwave cooking.
4. Do not exceed 1 minute cooking time.

Materials you can use in microwave oven

Utensils	Remarks
Browning dish	Follow manufacturer* instructions. The bottom of browning dish must be at least 3/16 inch (5mm) above the turntable. Incorrect usage may cause the turntable to break.
Dinnerware	Microwave-safe only. Follow manufacturer's instructions. Do not use cracked or chipped dishes.
Glass jars	Always remove lid. Use only to heat food until just warm. Most glass jars are not heat resistant and may break.
Glassware	Heat-resistant oven glassware only. Make sure there is no metallic trim. Do not use cracked or chipped dishes.
Oven cooking bags	Follow manufacturer* instructions. Do not close with metal tie. Make slits to allow steam to escape.
Paper plates and cups	Use for short-term cooking/warming only. Do not leave oven unattended while cooking.
Paper towels	Use to cover food for reheating and absorbing fat. Use with supervision for a short-term cooking only.
Parchment paper	Use as a cover to prevent splattering or a wrap for steaming.

Materials you can use in microwave oven

Utensils	Remarks
Plastic	Microwave-safe only. Follow the manufacturer* instructions. Should be labeled "Microwave Safe". Some plastic containers soften, as the food inside gets hot. "Boiling bags" and tightly closed plastic bags should be slit, pierced or vented as directed by package.
Plastic wrap	Microwave-safe only. Use to cover food during cooking to retain moisture. Do not allow plastic wrap to touch food.
Thermometers	Microwave-safe only (meat and candy thermometers).
Wax paper	Use as a cover to prevent splattering and retain moisture.

Materials to be avoided in microwave oven

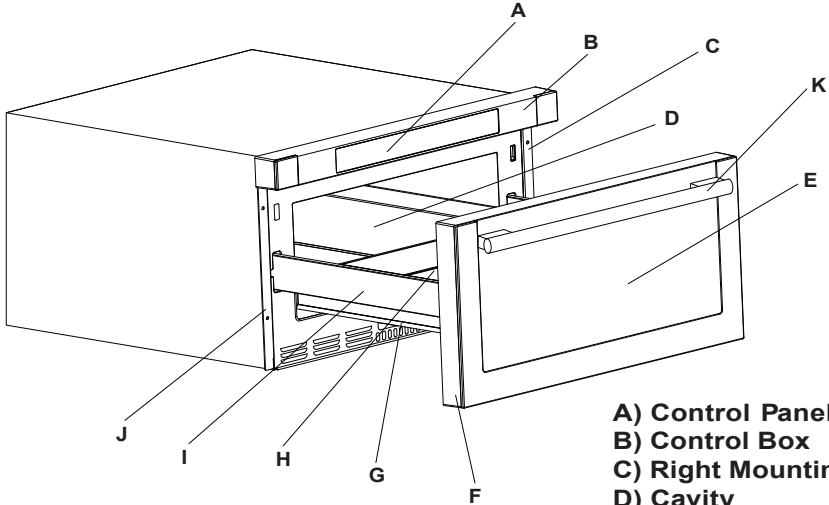
Utensils	Remarks
Aluminum tray	May cause arcing. Transfer food into microwave-safe dish.
Food carton with metal handle	May cause arcing. Transfer food into microwave-safe dish.
Metal or metal-trimmed utensils	Metal shields the food from microwave energy. Metal trim may cause arcing.
Metal twist ties	May cause arcing and could cause a fire in the oven.
Paper bags	May cause a fire in the oven.
Plastic foam	Plastic foam may melt or contaminate the liquid inside when exposed to high temperature.
Wood	Wood will dry out when used in the microwave oven and may split or crack.

SETTING UP YOUR OVEN

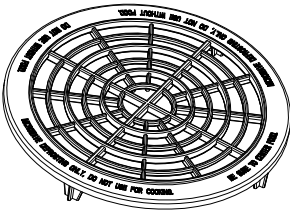
Names of Oven Parts and Accessories

Remove the oven and all materials from the carton and oven cavity.

Your oven comes with the following accessories:



- A) Control Panel
- B) Control Box
- C) Right Mounting Plate
- D) Cavity
- E) Windows
- F) Door Frame
- G) Automatic putter
- H) Drawer
- I) Hinge Joint Board
- J) Left Mounting Plate
- K) Handle



Defrosting Rack(Only be used in defrosting function and do not use for cooking. Do not use without food)

Countertop Installation

Remove all packing material and accessories. Examine the oven for any damage such as dents or broken door. Do not install if oven is damaged.

Cabinet: Remove any protective film found on the microwave oven cabinet surface.

Do not remove the light brown Mica cover that is attached to the oven cavity to protect the magnetron.

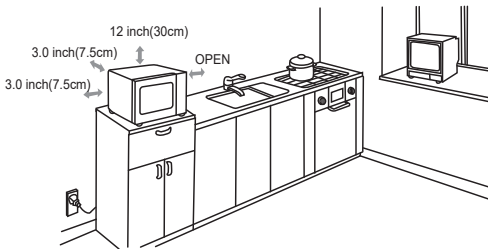
Countertop Installation

Remove all packing material and accessories. Examine the oven for any damage such as dents or broken door. Do not install if oven is damaged.

Cabinet: Remove any protective film found on the microwave oven cabinet surface. Do not remove the light brown Mica cover that is attached to the oven cavity to protect the magnetron.

Installation

1. Select a level surface that provide enough open space for the intake and/or outlet vents.



A minimum clearance of 3.0 inches (7.5cm) is required between the oven and any adjacent walls. One side must be open.

- (1) Leave a minimum clearance of 12 inches (30cm) above the oven.

- (2) Blocking the intake and/or outlet openings can damage the oven.
- (3) Place the oven as far away from radios and TV as possible. Operation of microwave oven may cause interference to your radio or TV reception.
2. Plug your oven into a standard household outlet. Be sure the voltage and the frequency is the same as the voltage and the frequency on the rating label.

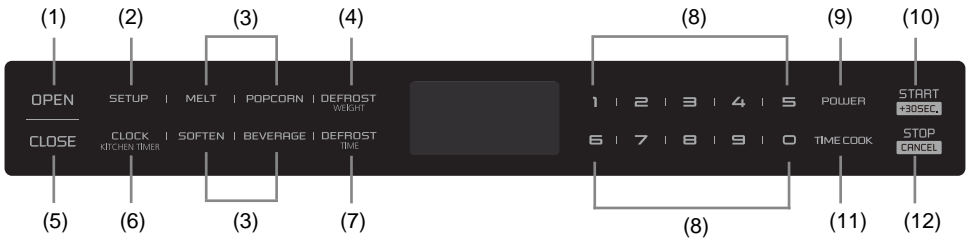
WARNING: Do not install oven over a range cooktop or other heat-producing appliance. If installed near or over a heat source, the oven could be damaged and the warranty would be void.

The accessible surface may be hot during operation.



OPERATION

Control Panel and Features



- (1) Open
- (2) Setup
- (3) Auto Menu
- (4) Weight Defrost
- (5) Close
- (6) Clock/Kitchen timer

- (7) Time Defrost
- (8) Number keys
- (9) Power
- (10) Start/ +30sec.
- (11) Time Cook
- (12) Stop/Cancel

OPERATION

1. Power On

- (1) When the microwave oven is plugged into an outlet, buzzer sounds once. Screen displays "WELCOME". Then the oven turns into waiting state. The screen displays "00:00".
- (2) In waiting state, the screen will display the current time if the clock has been set. Otherwise, "00:00" will display.
- (3) Press "OPEN" button to open the drawer, and screen displays "OPEN". The screen will display "PLEASE CLOSE" when the drawer is fully opened.
Press "CLOSE" button to close the drawer, and the screen displays "CLOSE". The screen will display the current time or "00:00" when the drawer is fully closed.
If there are mistakes to open or close the drawer, buzzer will sound five times, and the screen will display "OPEN OR CLOSE".

2. Clock Setting

- (1) Press "CLOCK/KITCHEN TIMER" button once. The first hour figure will flash and other "0" will light.
- (2) Press the number buttons to enter the correct time. The input time should be between 01:00-12:59.
- (3) Press "CLOCK/KITCHEN TIMER" to finish the setting. ":" will flash.

Note: In the process of clock setting, if the "STOP/CANCEL" button is pressed or if there is no operation within 1 minute, the oven will go back to former setting automatically.

3. Kitchen Timer

- (1) Press "CLOCK/KITCHEN TIMER" button twice, Screen will display 00:00. "FUNCTION" will light.
- (2) Press the number buttons to enter the time. The maximum cooking time is 99 minutes 99 seconds.
- (3) Press "START/+30SEC." to confirm the setting. The time begins to count down.
- (4) When the kitchen time arrives, buzzer will ring 5 times. The oven turns into waiting state. Screen will display the current time if the clock has been set. Otherwise, Screen will display "00:00".

- Note:
- 1) The kitchen timer is differ from 12-hour system. Kitchen Timer is a timer.
 - 2) In the process of Kitchen Timer operation, any cooking programme cannot be operated.
 - 3) "STOP/CANCEL" can be pressed to cancel the Kitchen Timer.

4 . Microwave Cooking Function

11 power levels are available.

Level	10	9	8	7	6	5	4	3	2	1	0
Power	100%	90%	80%	70%	60%	50%	40%	30%	20%	10%	0%
Display	PL100	PL90	PL80	PL70	PL60	PL50	PL40	PL30	PL20	PL10	PL00

- (1) Press "TIME COOK" button, Screen will display "00:00". "FUNCTION" will light.
Press number buttons to input the cooking time. The maximum cooking time is 99 minutes 99 seconds.
- (2) Press "POWER" button to set the power. The default power level is "PL100".
Press number buttons to select different power levels.
- (3) Press "START/+30SEC." to start cooking. Buzzer sounds once. The cooking time begins to count down. When cooking finished, buzzer sounds five times and "FINISH" displays.

Note: In the process of setting, if the "STOP/CANCEL" button is pressed or if there is no operation within 1 minute, the oven will go back to the former setting automatically.

5. Fast Cooking

- (1) In waiting state, instant cooking at 100% power level with 30 seconds' cooking time can be started by pressing "START/+30SEC". Each press on the same button will increase cooking time by 30 seconds.
- (2) During microwave and defrost by time, "START/+30SEC." can be pressed to increase cooking time. Each press will increase 30 seconds.

Note: "START/+30SEC." cannot be pressed to increase cooking time for defrost by weight and Auto menu cooking.

6. Weight Defrost Function


- (1) Press "DEFROST WEIGHT" button. Screen displays "WEIGHT DEFROST".
And "FUNCTION" will light.
- (2) Press number buttons to input the weight to be defrosted.
The input weight should be between 0.1-6.0 lbs.
- (3) Press "START/+30SEC." to start defrosting. Buzzer sounds once. The defrosting time begins to count down. When cooking finished, buzzer sounds five times and "FINISH" displays.

7. Time Defrost Function

- (1) Press "DEFROST TIME" button. Screen displays "TIME DEFROST".
And "FUNCTION" will light.
- (2) Press number buttons to enter the defrosting time between 00:01-99:99.
- (3) Press "START/+30SEC." to start defrosting. Buzzer sounds once. The defrosting time begins to count down. When cooking finished, buzzer sounds five times and "FINISH" displays.

Note: The defrosting power level is PL30.

8. Auto Menu--Beverage

- (1) Press "BEVERAGE" button. Screen displays "1". "AUTO MENU" and "" indicators will light.
- (2) Continue to press "BEVERAGE" button, "1" or "2" will display in order.
- (3) Press "START/+30SEC." to start cooking. Buzzer sounds once. The cooking time begins to count down. When cooking finished, buzzer sounds five times and "FINISH" displays.

9. Auto Menu--Popcorn

- (1) Press "POPCORN" button. Screen displays "1.75". "AUTO MENU" and "OZ" indicators will light.
- (2) Continue to press "POPCORN" button, "1.75", "3" or "3.5" will display in order.
- (3) Press "START/+30SEC." to start cooking. Buzzer sounds once. "OZ" will go out. The cooking time begins to count down. When cooking finished, buzzer sounds five times and "FINISH" displays.

10. Auto Menu--Melt

- (1) Press "MELT" button. Screen displays "BUTTER". "AUTO MENU" indicator will light.
- (2) Continue to press "MELT" button, "BUTTER", "CHOCOLA", "CHEESE" or "MARSHMA" will display in order.
- (3) Press "START/+30SEC." to confirm the selection.
- (4) Press "MELT" button to select the weight. "OZ" will light except butter menu.
- (5) Press "START/+30SEC." to start cooking. Buzzer sounds once. "OZ" will go out. The cooking time begins to count down. When cooking finished, buzzer sounds five times and "FINISH" displays.

Menu	Display	Weight
Butter/Margarine	BUTTER	1(STICH)
		2(STICHS)
		3(STICHS)
Chocolate	CHOCOLA	4
		8
Cheese	CHEESE	8
		16
Marshmallows	MARSHMA	5
		10

11. Auto Menu--Soften

- (1) Press "SOFTEN" button. Screen displays "BUTTER". "AUTO MENU" indicator will light.
- (2) Continue to press "SOFTEN" button, "BUTTER", "ICE-CRE" or "CHEESE" will display in order.
- (3) Press "START/+30SEC." to confirm the selection.
- (4) Press "SOFTEN" button to select the weight. "OZ" will light except butter menu.
- (5) Press "START/+30SEC." to start cooking. Buzzer sounds once. "OZ" will go out. The cooking time begins to count down. When cooking finished, buzzer sounds five times and "FINISH" displays.

Menu	Display	Weight
Butter	BUTTER	1(STICH)
		2(STICHS)
		3(STICHS)
Ice cream/ Frozen juice	ICE-CRE	8
		16
		32
Cream Cheese	CHEESE	3
		8

12. Buzzer On/Off

- (1) Press "SETUP" button. Screen displays "BUZ OFF".
- (2) Press "START/+30SEC." button. The oven will turn to waiting state. Buzzer is turned off. No beep will sound.
- (3) Press "SETUP" button. Screen displays "BUZ ON".
- (4) Press "START/+30SEC." button. The oven will turn to waiting state. Buzzer is turned on. Buzzer will sound normally.

13. LOCK FUNCTION FOR CHILDREN

Lock: In waiting state, press "STOP/CANCEL" for 3 seconds, the oven will enter into the children-lock state. Screen will display the current time if the clock has been set. Otherwise, "00:00" will display.

Lock quitting: In locked state, press "STOP/CANCEL" for 3 seconds to release the lock.

14. INQUIRING FUNCTION

- (1) In cooking state, press "CLOCK/KITCHEN TIMER" button to check the clock. The current time will display for 3 seconds.
- (2) In the microwave cooking state, press "POWER" button to inquire the microwave power. The current microwave power will display for 3 seconds.

15. OTHER SPECIFICATIONS

- (1) The buzzer sounds once by efficient press, inefficient press will be no response.
- (2) In cooking state, "OPEN" cannot be pressed to open the drawer unless "STOP/CANCEL" button is pressed to pause the cooking. Press "CLOSE" button to close the drawer. Then "START/+30SEC." button must be pressed to continue cooking.
- (3) If the cooking programme has been set, "START/+30SEC." is not pressed in 1 minute, The current time will be displayed. The setting will be cancelled.
- (4) If the oven door is open, the lamp will light until the oven is powered off.

MAINTENANCE

Troubleshooting

Check your problem by using the chart below and try the solutions for each problem. If the microwave oven still does not work properly, contact the nearest authorized service center.

TROUBLE	POSSIBLE CAUSE	POSSIBLE REMEDY
Oven will not start	<ul style="list-style-type: none">a. Electrical cord for oven is not plugged in.b. Door is open.c. Wrong operation is set.	<ul style="list-style-type: none">a. Plug into the outlet.b. Close the door and try again.c. Check instructions.
Arcing or sparking	<ul style="list-style-type: none">a. Materials to be avoided in microwave oven were used.b. The oven is operated when empty.c. Spilled food remains in the cavity.	<ul style="list-style-type: none">a. Use microwave-safe cookware only.b. Do not operate with oven empty.c. Clean cavity with wet towel.
Unevenly cooked foods	<ul style="list-style-type: none">a. Materials to be avoided in microwave oven were used.b. Food is not defrosted completely.c. Cooking time, power level is not suitable.d. Food is not turned or stirred.	<ul style="list-style-type: none">a. Use microwave-safe cookware only.b. Completely defrost food.c. Use correct cooking time, power level.d. Turn or stir food.
Overcooked foods	Cooking time, power level is not suitable.	Use correct cooking time, power level.
Undercooked foods	<ul style="list-style-type: none">a. Materials to be avoided in microwave oven were used.b. Food is not defrosted completely.c. Oven ventilation ports are restricted.d. Cooking time, power level is not suitable.	<ul style="list-style-type: none">a. Use microwave-safe cookware only.b. Completely defrost food.c. Check to see that oven ventilation ports are not restricted.d. Use correct cooking time, power level.
Improper defrosting	<ul style="list-style-type: none">a. Materials to be avoided in microwave oven were used.b. Cooking time, power level is not suitable.c. Food is not turned or stirred.	<ul style="list-style-type: none">a. Use microwave-safe cookware only.b. Use correct cooking time, power level.c. Turn or stir food.



FOUR À MICROONDES

GUIDE D'UTILISATION

Modèle :EM034D4NA
FMWDR300024

Lisez attentivement ces instructions avant d'utiliser le four à microonde, et les garder soigneusement.

Si vous suivez ces instructions, votre four vous donnera de nombreuses années de bons services.

CONSERVEZ SOIGNEUSEMENT CES INSTRUCTIONS

Service à la clientèle

Merci d'avoir acheté un produit FORNO. Veuillez lire l'intégralité du manuel d'instructions avant d'utiliser votre nouvel appareil pour la première fois. Que vous soyez un utilisateur temporaire ou un expert, il sera utile de vous familiariser avec les pratiques de sécurité, les caractéristiques, recommandations concernant l'exploitation et l'entretien du matériel. Les modèles et les numéros de série sont énumérés sur le produit. Aux fins de la garantie, vous aurez également besoin de la date d'achat.

Enregistrez ces informations ci-dessous pour référence future.

RENSEIGNEMENTS SUR LE SERVICE

Numéro de modèle:

Utilisez ces numéros dans correspondance ou appels de service concernant votre produit.

Numéro de série:

Si vous recevez un produit endommagé, contactez votre distributeur immédiatement.

Date d'achat:

Adresse et téléphone d'achat:

Gagnez du temps et de l'argent. Avant de faire appel à un technicien, consultez le Guide de dépannage. Il répertorie les causes de problèmes mineurs d'utilisation que vous pouvez corriger vous-même.

SERVICE AU CANADA :

Conservez le manuel d'instructions à portée de main pour répondre à vos questions. En cas d'incompréhension ou si vous avez besoin d'aide, veuillez communiquer avec notre service à la clientèle : 1-800-561-7265.

Ou par courriel : service@distinctive-online.com

Ou communiquer avec : CTM Household Appliances Inc.

11420 Albert Hudon, Montréal, Québec H1G 3J6, Canada

SERVICE aux États-Unis:

Conservez le manuel d'instructions à portée de main pour répondre à vos questions. En cas d'incompréhension ou si vous avez besoin d'aide, veuillez communiquer avec notre service à la clientèle : 1-866-231-8893

Ou par courriel : info@forno.ca

Cette brochure peut être téléchargée à partir de www.forno.ca

Si votre matériel a besoin d'être réparé, il est impératif d'utiliser notre centre de services clients recommandés par Forno usine de certification des fournisseurs de services. Tous les fabricants de services de certification ont été soigneusement sélectionnés et une formation complète.

PRÉCAUTIONS POUR ÉVITER L'EXPOSITION POSSIBLE À L'ÉNERGIE MICROONDE EXCESSIVE

- (a) N'essayiez pas de faire fonctionner ce four avec la porte ouverte, car cela peut entraîner une exposition nocive à l'énergie des microondes.
Il est important de ne pas annuler ou altérer les dispositifs de verrouillage de sécurité.
- (b) Ne pas placer un objet entre la face avant et la porte, ou laisser de la saleté ou des résidus de nettoyage s'accumuler sur les surfaces du joint.
- (c) N'utilisez pas le four s'il est endommagé. Il est particulièrement important que la porte du four se ferme correctement et qu'il n'y ait aucun dommage aux :
- (1) PORTE (courbée)
 - (2) CHARNIÈRES ET LOQUETS (cassés ou desserrés)
 - (3) JOINTS DE PORTE ET SURFACE D'ÉTANCHÉITÉ
- (d) Le four ne doit pas être réglé ou réparé par quelqu'un qui n'est pas un personnel de dépannage qualifié.

Caractéristiques

Modèle :	EM034D4NA FMWDR300024
Tension nominale :	120 V~ 60 Hz
Puissance nominale d'entrée (microondes) :	1 500 W
Puissance nominale de sortie (microondes) :	1 000 W
Capacité du four :	34 litres
Dimensions externes (l x H x P) :	600 × 380 × 640 mm
Poids net :	Environ 31,96 kg

CONSIGNES DE SÉCURITÉ IMPORTANTES

Lors de l'utilisation d'appareils électriques, des précautions de sécurité de base doivent être respectées, notamment les suivantes :

ATTENTION — Pour réduire les risques de brûlures, d'électrocution, d'incendie, de blessures ou d'exposition à une énergie microonde excessive :

1. Lisez toutes les instructions avant d'utiliser l'appareil.
2. Lisez et suivez les spécificités : « PRÉCAUTIONS POUR ÉVITER L'EXPOSITION POSSIBLE À L'ÉNERGIE MICROONDE EXCESSIVE » à la page 3.
3. Cet appareil doit être mis à la terre. Branchez l'appareil uniquement à une prise correctement mise à la terre. Voir « INSTRUCTIONS DE MISE À LA TERRE » à la page 5.
4. Installez ou placez ce four uniquement conformément aux instructions d'installation fournies.
5. Certains produits tels que les œufs entiers et les récipients scellés — par exemple bocaux en verre fermés — peuvent exploser et ne doivent pas être chauffés dans un four à microondes.
6. N'utilisez cet appareil que pour les utilisations prévues décrites dans ce manuel. N'utilisez pas de produits chimiques ou de vapeurs corrosifs dans cet appareil. Ce four à microondes est spécialement conçu pour chauffer, cuire ou sécher des aliments. Il n'est pas conçu pour une utilisation industrielle ou en laboratoire.
7. Comme pour tout appareil, une surveillance étroite est nécessaire lorsqu'il est utilisé par des enfants.
8. N'utilisez pas ce four si le cordon ou la fiche est endommagé, s'il ne fonctionne pas correctement, s'il est endommagé ou s'il est tombé.
9. Cet appareil ne doit être entretenu que par du personnel qualifié. Contactez le centre de service agréé le plus proche pour examen, réparation ou réglage.
10. Ne couvrez ni ne bloquez les ouvertures de l'appareil.
11. Ne rangez pas cet appareil à l'extérieur. N'utilisez pas ce four près de l'eau, par exemple près d'un évier de cuisine, dans un sous-sol humide, près d'une piscine ou dans des endroits similaires.
12. N'immergez pas le cordon ou la fiche dans l'eau.
13. Gardez le cordon éloigné des surfaces chaudes.
14. Ne laissez pas le cordon pendre du bord d'une table de travail ou d'un comptoir.
15. Lors du nettoyage des surfaces de la porte et du four qui advient en même temps à la fermeture de la porte, utilisez uniquement des savons ou détergents doux non abrasifs appliqués avec une éponge ou un chiffon doux.
16. Pour réduire le risque d'incendie dans la cavité du four :
 - 1). Ne faites pas trop cuire les aliments. Surveillez attentivement l'appareil si vous avez placé un objet en papier, plastique ou autre matériau combustible dans la cavité pour faciliter la cuisson.
 - 2). Retirez les attaches métalliques des sacs en papier ou en plastique avant de les placer dans le four à microondes.
 - 3). Si des matériaux à l'intérieur du four à microondes s'enflamment, gardez la porte fermée, éteignez le four et débranchez le cordon d'alimentation ou coupez l'alimentation au niveau du fusible ou du panneau de disjoncteur.

- 4). N'utilisez pas la cavité à des fins de rangement. Ne laissez pas de produits en papier, d'ustensiles de cuisine ou de nourriture dans la cavité lorsqu'elle n'est pas utilisée.
17. Les liquides, tels que l'eau, du café ou du thé, peuvent surchauffer au-delà du point d'ébullition sans avoir l'air de bouillir. Un bouillonnement ou une ébullition visible lorsque le récipient est retiré du four à microondes n'apparaît pas toujours.
CELA POURRAIT EN RÉsulTER DES LIQUIDES TRÈS CHAUDS QUI DEVIENNENT SOUDAINEMENT EN ÉBULLITION LORSQUE LE RÉCIPIENT EST PERTURBÉ OU UN USTENSILE EST INSÉRÉ DANS LE LIQUIDE.
Pour réduire le risque de blessures aux personnes :
 - 1) Ne surchauffez pas le liquide.
 - 2) Remuez le liquide avant et à mi-cuisson.
 - 3) N'utilisez pas de récipients à parois droites à col étroit.
 - 4) Après chauffage, laissez le récipient reposer dans le four à microondes pendant un court instant avant de retirer le récipient
 - 5) Soyez extrêmement prudent lorsque vous insérez une cuillère ou un autre ustensile dans le récipient.
18. N'utilisez aucun appareil de chauffage ou de cuisson sous l'appareil.
19. Ne montez pas l'appareil sur ou à proximité d'une partie de l'appareil de chauffage ou de cuisson.
20. Ne le montez pas au-dessus d'un évier.
21. Ne mettez aucun objet directement sur la surface de l'appareil lorsqu'il est en marche.

CONSERVER CES INSTRUCTIONS INSTRUCTIONS DE MISE À LA TERRE

Cet appareil doit être mis à la terre. En cas de court-circuit, la mise à la terre réduit le risque d'électrocution en fournissant un fil d'échappement pour le courant électrique. Cet appareil est équipé avec un fil électrique ayant un conducteur et une prise de terre. La fiche doit être branchée dans une prise correctement installée et mise à la terre.

ATTENTION — Une mauvaise utilisation de la mise à la terre peut entraîner un risque d'électrocution.

Consulter un électricien qualifié ou un réparateur si les instructions de mise à la terre ne sont pas parfaitement comprises ou si un doute existe sur la bonne mise à la terre de l'appareil. S'il est nécessaire d'utiliser une rallonge, utilisez uniquement une rallonge à 3 fils dotée d'une fiche de mise à la terre à 3 broches et des prises à 3 positions qui acceptent la fiche de l'appareil. La puissance nominale de la rallonge doit être égale ou supérieure à la puissance électrique de l'appareil.

DANGER — Risque de décharge électrique

Toucher des composants internes peut causer de graves blessures corporelles ou le décès.

Ne pas démonter cet appareil.

ATTENTION — Risque de décharge électrique

La mauvaise utilisation de la terre peut entraîner une électrocution. Ne pas brancher l'appareil à une prise de courant tant qu'il n'est pas installé correctement et mis à la terre.

1. Le fil d'alimentation est court pour réduire le risque de le coincer ou de trébucher dessus s'il est plus long.
2. Des jeux de cordons plus longs ou des rallonges sont disponibles et peuvent être utilisés si un soin particulier est apporté à leur utilisation.
3. Si vous utilisez un long cordon ou une rallonge :
 - 1) La capacité électrique du fil ou de la rallonge doit être au moins aussi grande que la capacité de l'appareil.
 - 2) La rallonge doit être à 3 fils avec une mise à la terre.
 - 3) Un long fil d'alimentation doit être mis de façon à ne pas dépasser du comptoir ou de la table d'où il peut être tiré par des enfants ou faire trébucher.

INTERFÉRENCE RADIO

1. Le fonctionnement du four à microondes peut provoquer des interférences avec votre radio, télévision ou équipement similaire.
2. Lorsqu'il y a des interférences, elles peuvent être réduites ou éliminées en prenant les mesures suivantes :
 - 1) Nettoyez la porte et les surfaces d'étanchéité du four
 - 2) Réorientez l'antenne de réception de la radio ou du téléviseur.
 - 3) Déplacez le four à microondes par rapport au récepteur.
 - 4) Éloignez le four à microondes du récepteur.
 - 5) Branchez le four à microondes dans une autre prise de sorte qu'il se trouve avec le récepteur sur des circuits de dérivation différents.

USTENSILES

ATTENTION — Risque de blessure corporelle

Les ustensiles hermétiquement fermés peuvent exploser. Les récipients fermés doivent être ouverts et les sachets en plastique doivent être percés avant la cuisson.

Voir les instructions dans « Matériaux que vous pouvez utiliser dans un four à microondes ».

Certains ustensiles non métalliques ne sont pas sûrs pour être utilisés pour le microonde. En cas de doute, vous pouvez tester l'ustensile en question en procédant de la façon suivante.

Test d'ustensile :

- 1) Remplir un conteneur à microonde avec 250 ml d'eau froide et y déposer l'ustensile.
- 2) Chauffer à puissance max. pendant 1 minute.
- 3) Toucher doucement l'ustensile. Si l'ustensile vide est chaud, ne pas l'utiliser pour la cuisson au microonde.
- 4) Ne pas dépasser 1 minute.

Matériaux que vous pouvez utiliser dans un four à microondes

Ustensiles	Remarques
Plat à rôtir	Suivez les instructions du fabricant *. Le fond du plat doit être à au moins 5 mm du plateau. Un mauvais usage peut briser le plateau.
Vaisselle	Allant au four à microondes uniquement. Suivre les instructions du fabricant. Ne pas utiliser des plats fendus ou ébréchés.
Pots en verre	Toujours retirer le couvercle. Utiliser l'appareil uniquement pour réchauffer les aliments jusqu'à ce qu'ils soient chauds. La plupart des pots en verre ne résistent pas à la chaleur et peuvent casser.
Verrerie	Uniquement le verre résistant à la chaleur. S'assurer qu'il n'y a pas de garniture métallique. Ne pas utiliser des plats fendus ou ébréchés.
Sacs de cuisson au four	Suivez les instructions du fabricant *. Ne pas fermer avec un couvercle métallique. Fendre l'emballage pour permettre à la vapeur de s'échapper.
Assiettes et tasses en papier	N'utiliser que pour la cuisson ou réchauffage court. Ne pas laisser la cuisson sans surveillance.
Serviettes en papier	Utiliser pour couvrir les aliments à réchauffer et absorber le gras. N'utiliser que pour la cuisson courte.
Papier parchemin	Utiliser comme couvercle pour éviter les éclaboussures ou envelopper pour cuire à la vapeur.
Plastique	Allant au four à microondes uniquement. Suivez les instructions du fabricant *. Doit être estampillé « Sûr pour le microonde ». Certains conteneurs en plastique s'amollissent quand les aliments deviennent chauds. Les sacs à bouillir et les sacs en plastique fermés doivent être fendus, percés ou ventilés comme indiqué sur l'emballage.

Ustensiles	Remarques
Enveloppe en plastique	Allant au four à microondes uniquement. Utiliser pour couvrir les aliments pendant la cuisson pour retenir l'humidité. Ne pas laisser l'enveloppe en plastique toucher les aliments.
Thermomètres	Sûr pour le microonde uniquement (thermomètres à viande ou gâteau).
Papier ciré	Utiliser comme couvercle pour éviter les éclaboussures ou retenir l'humidité.

Matériaux à éviter dans le four à microondes

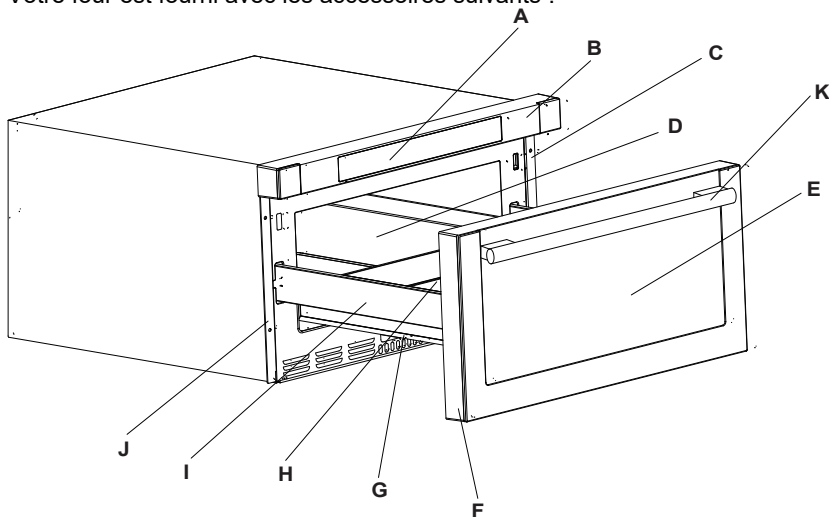
Ustensiles	Remarques
Plateau en aluminium	Peut provoquer un arc. Mettre les aliments dans un conteneur prévu pour microondes.
Carton alimentaire avec poignée métallique	Peut provoquer un arc. Mettre les aliments dans un conteneur prévu pour microondes.
Ustensiles métalliques ou recouverts de métal	Le métal bloque les microondes sur les aliments. Une garniture métallique peut provoquer un arc.
Liens métalliques	Peuvent provoquer un arc et entraîner un incendie dans le four.
Sacs en papier	Peuvent prendre feu dans le four.
Mousse en plastique	La mousse en plastique peut fondre ou contaminer le liquide contenu en l'exposant à de hautes températures.
Bois	Le bois sèche quand il est utilisé dans le microonde et peut se fendre ou craquer.

INSTALLATION DE VOTRE FOUR

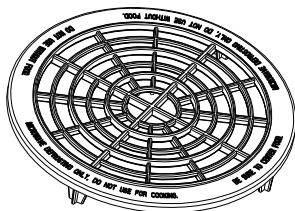
Noms des pièces et accessoires du four

Retirer le four et tous les matériaux du carton et dans le four.

Votre four est fourni avec les accessoires suivants :



- A) Panneau de contrôle
- B) Boîtier de commande
- C) Plaque de montage de droite
- D) Cavité
- E) Fenêtres
- F) Cadre de porte
- G) Fermeture automatique en douceur
- H) Tiroir
- I) Plaque de charnière articulée
- J) Plaque de montage de gauche
- K) Poignée



Grille de décongélation (à utiliser uniquement avec la fonction de décongélation, ne pas utiliser pour la cuisson. Ne pas utiliser sans aliments).

Installation sur comptoir

Retirer tout le matériel d'emballage et les accessoires.

Examiner le four pour les dommages tels que la porte ébréchée ou cassée. **NE PAS** installer le four s'il est endommagé.

Installation sur comptoir

Retirer tout le matériel d'emballage et les accessoires.

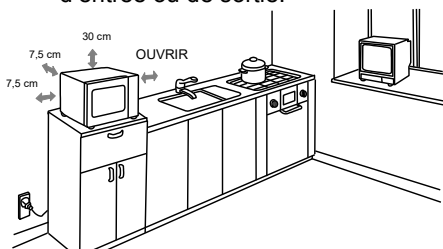
Examiner le four pour les dommages tels que la porte ébréchée ou cassée. **NE PAS** installer le four s'il est endommagé.

Armoire : Retirer le film de protection du four à microondes qui est fixé à la cavité du four pour protéger le magnétron.

Armoire : Retirer le film de protection du four à microondes
Ne pas retirer le mica marron qui est fixé à la cavité du four pour protéger le magnétron.

Installation

1. Sélectionner une surface de niveau ayant assez d'espace pour les événements d'entrée ou de sortie.



Vous devez laisser un espace minimal d'environ 7,5 cm entre le four et toute paroi adjacente. Un côté doit être libre.

- (1) Laissez un espace minimal d'environ 30 cm au-dessus du four.

- (2) Le blocage des ouvertures d'entrée ou de sortie peut endommager le four.
- (3) Placer le four aussi loin que possible des radios et télévisions.

Les opérations du four à microondes peuvent interférer avec la réception de radio ou télévision.

2. Brancher le four dans une prise de courant standard. S'assurer que la tension et la fréquence sont les mêmes que celles sur la plaque signalétique.

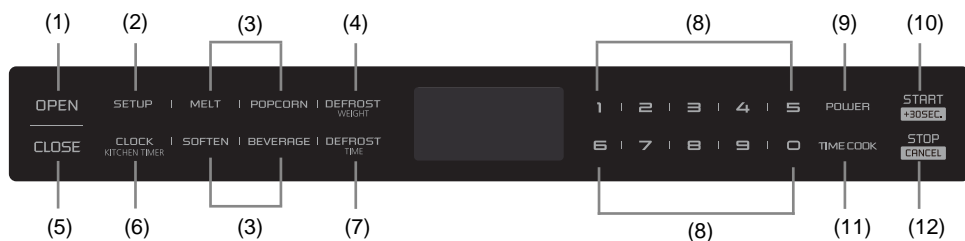
ATTENTION : Ne pas mettre le four au-dessus de cuiseurs ou autre appareil produisant de la chaleur. S'il est installé à proximité ou au-dessus d'une source de chaleur, le four pourrait être endommagé et la garantie annulée.

La surface accessible peut être chaude pendant les opérations.



FONCTIONNEMENT

Panneau de commande et caractéristiques



(1) Ouvrir

(2) Installation

(3) Menu Auto

(4) Poids de décongélation

(5) Fermer

(6) Horloge/minuteur de cuisine

(7) Durée de décongélation

(8) Touches numériques

(9) Puissance

(10) Démarrer/+30 s

(11) Cuisson minutée

(12) Arrêter/annuler

FONCTIONNEMENT

1. Mise sous tension

- (1) Dès que vous branchez le microonde à une prise électrique, l'avertisseur sonne une fois. L'écran affiche « WELCOME ». Le four passera en mode veille. L'écran indique « 00:00 ».
- (2) En mode veille, l'écran affiche l'heure actuelle si vous l'avez réglée. Sinon, il indique « 00:00 ».
- (3) Appuyez sur la touche « OPEN » pour ouvrir le tiroir : l'écran affiche « OPEN ». L'écran indiquera « PLEASE CLOSE » lorsque le tiroir est entièrement ouvert. Appuyez sur la touche « CLOSE » pour fermer le tiroir : l'écran affiche « CLOSE ». L'écran affiche l'heure actuelle ou « 00:00 » quand le tiroir est entièrement fermé. Si vous ouvrez ou fermez mal le tiroir, l'avertisseur sonnera cinq fois et l'écran affichera « CLOSE OR OPEN ».

2. Réglage de l'horloge

- (1) Appuyez brièvement sur la touche « CLOCK/KITCHEN TIMER ». La première partie de l'heure se met à clignoter et l'autre partie indique « 0 ».
- (2) Appuyez sur les touches numériques pour saisir l'heure correcte. L'heure saisie doit être comprise entre « 01:00 » et « 12:59 ».
- (3) Appuyez sur « CLOCK/KITCHEN TIMER » pour terminer le réglage de l'heure. Le symbole « : » se met à clignoter.

Remarque : Au cours du réglage de l'horloge, si vous appuyez sur la touche « STOP/CANCEL » ou si vous n'effectuez aucune opération pendant 1 minute, le four revient automatiquement au réglage précédent.

3. Minuteur de cuisine

- (1) Appuyez deux fois sur la touche « CLOCK/KITCHEN TIMER » : l'écran affiche « 00:00 » et l'indicateur « FUNCTION » s'allume.
- (2) Appuyez sur les touches numériques pour saisir la durée de cuisson. La durée maximale de cuisson est de 99 minutes et 99 secondes.
- (3) Appuyez sur la touche « START/+30SEC. » pour confirmer le réglage. Le compte à rebours de cuisson démarre.
- (4) Une fois le compte à rebours terminé, l'avertisseur sonnera 5 fois. Le four repassera en mode veille. L'écran affichera l'heure actuelle si vous l'avez réglée. Sinon, il indiquera « 00:00 ».

Remarque :

- (1) Le minuteur de cuisine fonctionne différemment de l'horloge sur 12 heures. Le minuteur de cuisine est à tous les effets un minuteur.
- (2) Pendant le fonctionnement du minuteur de cuisine, aucun programme de cuisson ne peut être utilisé.
- (3) Appuyez sur la touche « STOP/CANCEL » pour désactiver le minuteur de cuisine.

4. Fonction de cuisson au microonde

11 niveaux de puissance sont à votre disposition.

Niveau	10	9	8	7	6	5	4	3	2	1	0
Puissance	100 %	90%	80%	70%	60%	50%	40%	30%	20%	10%	0 %
Affichage	PL100	PL90	PL80	PL70	PL60	PL50	PL40	PL30	PL20	PL10	PL00

- (1) Appuyez sur la touche « TIME COOK » : l'écran affiche « 00:00 » et l'indicateur « FUNCTION » s'allume. Appuyez sur les touches numériques pour saisir la durée de cuisson. La durée maximale de cuisson est de 99 minutes et 99 secondes.
- (2) Appuyez sur la touche « POWER » pour régler la puissance. Le niveau de puissance par défaut est « PL100 ». Appuyez sur les touches numériques pour sélectionner un niveau de puissance différent.
- (3) Appuyez sur la touche « START/+30SEC. » pour démarrer la cuisson. L'avertisseur sonne une fois. Le compte à rebours de cuisson démarre. Une fois la cuisson terminée, l'avertisseur sonne cinq fois et l'indication « FINISH » s'affiche.

Remarque : Au cours du réglage, si vous appuyez sur la touche « STOP/CANCEL » ou si vous n'effectuez aucune opération pendant 1 minute, le four revient automatiquement au réglage précédent.

5. Cuisson rapide

- (1) En mode veille, vous pouvez lancer la cuisson immédiate à 100 % de la puissance pendant une durée de cuisson de 30 secondes en appuyant sur la touche « START/+30SEC ». Chaque fois que vous appuyez sur cette touche, vous augmentez la durée de cuisson de 30 secondes.
- (2) Pendant la cuisson au microonde ou une décongélation minutée, appuyez sur la touche « START/+30SEC » pour augmenter la durée de cuisson ou de décongélation. Chaque appui augmente la durée de 30 secondes.

Remarque : cette opération n'est pas disponible si vous appuyez sur la touche « START/+30SEC » pour augmenter la durée de décongélation par poids ou la durée de la cuisson démarrée à partir du menu « Auto ».

6. Fonction de décongélation par poids

- (1) Appuyez sur la touche « DEFROST WEIGHT ». L'écran affiche l'indication « WEIGHT DEFROST ». L'indicateur « FUNCTION » s'allume également.
- (2) Appuyez sur les touches numériques pour saisir le poids de l'aliment à décongeler. Le poids doit être compris entre 0,1 et 6 livres (soit entre 45 g et 2,7 kg).
- (3) Appuyez sur la touche « START/+30SEC. » pour démarrer la décongélation. L'avertisseur sonne une fois. Le compte à rebours de décongélation démarre. Une fois la cuisson terminée, l'avertisseur sonne cinq fois et l'indication « FINISH » s'affiche.


7. Fonction de décongélation minutée

- (1) Appuyez sur la touche « DEFROST TIME ». L'écran affiche l'indication « TIME DEFROST ». L'indicateur « FUNCTION » s'allume également.

- (2) Appuyez sur les touches numériques pour saisir la durée de décongélation entre « 00:01 » et « 99:99 ».
- (3) Appuyez sur la touche « START/+30SEC. » pour démarrer la décongélation. L'avertisseur sonne une fois. Le compte à rebours de décongélation démarre. Une fois la cuisson terminée, l'avertisseur sonne cinq fois et l'indication « FINISH » s'affiche.

Remarque : Le niveau de puissance pour la décongélation est « PL30 ».

8. Menu Auto — Boisson

- (1) Appuyer sur la touche « BEVERAGE ». L'écran affiche « 1 ». Les indicateurs « AUTO MENU » et «  » s'allument.
- (2) Appuyez de nouveau sur la touche « BEVERAGE », l'écran affiche « 1 » ou « 2 » dans l'ordre.
- (3) Appuyez sur la touche « START/+30SEC. » pour démarrer la cuisson. L'avertisseur sonne une fois. Le compte à rebours de cuisson démarre. Une fois la cuisson terminée, l'avertisseur sonne cinq fois et l'indication « FINISH » s'affiche.

9. Menu Auto — Pop-corn

- (1) Appuyer sur la touche « POPCORN ». L'écran affiche « 1.75 ». Les indicateurs « AUTO MENU » et « OZ » s'allument.
- (2) Appuyez de nouveau sur la touche « POPCORN », l'écran affiche « 1.75 », « 3 » ou « 3.5 » dans l'ordre.
- (3) Appuyez sur la touche « START/+30SEC. » pour démarrer la cuisson. L'avertisseur sonne une fois. L'indicateur « OZ » s'éteint. Le compte à rebours de cuisson démarre. Une fois la cuisson terminée, l'avertisseur sonne cinq fois et l'indication « FINISH » s'affiche.

10. Menu Auto — Fondu

- (1) Appuyer sur la touche « MELT ». L'écran affiche « BUTTER ». L'indicateur « AUTO MENU » s'allume.
- (2) Appuyez de nouveau sur la touche « MELT », l'écran affiche « CHOCOLA », « CHEESE » ou « MARSHMA » dans l'ordre.
- (3) Appuyez sur la touche « START/+30SEC. » pour confirmer la sélection.
- (4) Appuyez sur la touche « MELT » pour sélectionner le poids. L'indicateur « OZ » s'allumera sauf pour l'option de menu « BUTTER ».
- (5) Appuyez sur la touche « START/+30SEC. » pour démarrer la cuisson. L'avertisseur sonne une fois. L'indicateur « OZ » s'éteint. Le compte à rebours de cuisson démarre. Une fois la cuisson terminée, l'avertisseur sonne cinq fois et l'indication « FINISH » s'affiche.

Menu	Affichage	Poids
Beurre/margarine	BUTTER	1 (STICH)
		2 (STICHS)
		3 (STICHS)
Chocolat	CHOCOLA	4
		8
Fromage	CHEESE	8
		16
Guimauves	MARSHMA	5
		10

11. Menu Auto — Ramollir

- (1) Appuyer sur la touche « SOFTEN ». L'écran affiche « BUTTER ». L'indicateur « AUTO MENU » s'allume.
- (2) Appuyez de nouveau sur la touche « SOFTEN », l'écran affiche « ICE-CRE » ou « CHEESE » dans l'ordre.
- (3) Appuyez sur la touche « START/+30SEC. » pour confirmer la sélection.
- (4) Appuyez sur la touche « SOFTEN » pour sélectionner le poids. L'indicateur « OZ » s'allumera sauf pour l'option de menu « BUTTER ».
- (5) Appuyez sur la touche « START/+30SEC. » pour démarrer la cuisson. L'avertisseur sonne une fois. L'indicateur « OZ » s'éteint. Le compte à rebours de cuisson démarre. Une fois la cuisson terminée, l'avertisseur sonne cinq fois et l'indication « FINISH » s'affiche.

Menu	Affichage	Poids
Beurre/margarine	BUTTER	1 (STICH)
		2 (STICHS)
		3 (STICHS)
Glace/Jus surgelé	ICE-CRE	8
		16
		32
Fromage Frais	CHEESE	3
		8

12. Activation/désactivation de l'avertisseur

- (1) Appuyer sur la touche « SETUP ». L'écran affiche « BUZ OFF ».
- (2) Appuyez sur la touche « START/+30SEC. ». Le four repassera en mode veille. L'avertisseur est désactivé. Aucune sonnerie ne retentira.
- (3) Appuyer sur la touche « SETUP ». L'écran affiche « BUZ ON ».
- (4) Appuyez sur la touche « START/+30SEC. ». Le four repassera en mode veille. L'avertisseur est activé. L'avertisseur sonne normalement.

13. FONCTION DE VERROUILLAGE POUR ENFANTS

Verrouillage : en mode veille, appuyez sur la touche « STOP/CANCEL » pendant 3 secondes. Le four sera verrouillé pour éviter toute manipulation par des enfants. L'écran affichera l'heure actuelle si vous l'avez réglée. Sinon, il indique « 00:00 ».

Déverrouillage : en mode verrouillé, appuyez sur la touche « STOP/CANCEL » pendant 3 secondes pour déverrouiller le four.

14. FONCTION D'INFORMATIONS

- (1) En mode cuisson, appuyez sur la touche « CLOCK/KITCHEN TIMER » pour vérifier l'horloge. L'heure actuelle s'affiche pendant 3 secondes.
- (2) En mode cuisson au microonde, appuyez sur la touche « POWER » pour vérifier la puissance microonde. La puissance microonde actuelle s'affiche pendant 3 secondes.

15. AUTRES SPÉCIFICATIONS

- (1) Si vous appuyez bien sur les commandes, l'avertisseur sonne une fois, sinon l'avertisseur ne sonnera pas.
- (2) En mode cuisson, vous ne pouvez pas appuyer sur la touche « OPEN » pour ouvrir le tiroir à moins que vous ayez appuyé sur la touche « STOP/CANCEL » pour interrompre la cuisson. Appuyez sur la touche « CLOSE » pour fermer le tiroir. Appuyez ensuite sur la touche « START/+30SEC » pour reprendre la cuisson.
- (3) Une fois le programme de cuisson réglé, n'appuyez pas sur la touche « START/+30SEC. » pendant 1 minute. L'heure actuelle s'affichera sur l'écran. Le programme est annulé.
- (4) Si vous ouvrez la porte du four, la lampe reste allumée tant que vous n'éteignez pas le four.

MAINTENANCE

Dépannage

Recherchez votre problème dans le tableau ci-dessous et essayez les solutions proposées pour le résoudre. Si le four à microondes ne fonctionne toujours pas correctement, contactez le centre de service agréé le plus proche.

PROBLÈME	CAUSES POSSIBLES	SOLUTIONS POSSIBLES
Le four ne démarre pas	<ul style="list-style-type: none">a. Le cordon électrique du four n'est pas branché.b. La porte est ouverte.c. Mauvaise opération choisie.	<ul style="list-style-type: none">a. Branchez l'appareil à une prise électrique.b. Fermez la porte et réessayez.c. Consultez le guide d'utilisation.
Arc ou étincelle	<ul style="list-style-type: none">a. Vous avez introduit des matériaux qu'il faut éviter d'utiliser dans un four à microondes.b. Le four est utilisé à vide.c. La cavité contient de la nourriture renversée.	<ul style="list-style-type: none">a. Utilisez uniquement des plats allant au four à microondes.b. N'utilisez pas le four à vide.c. Nettoyez la cavité avec une serviette humide.
Aliments mal cuits	<ul style="list-style-type: none">a. Vous avez introduit des matériaux qu'il faut éviter d'utiliser dans un four à microondes.b. Les aliments ne sont pas entièrement décongelés.c. Temps de cuisson ou niveau de puissance inapproprié.d. Les aliments ne sont ni retournés ni remués.	<ul style="list-style-type: none">a. Utilisez uniquement des plats allant au four à microondes.b. Décongelez entièrement les aliments.c. Utilisez un temps de cuisson ou un niveau de puissance approprié.d. Retournez ou remuez les aliments.
Aliments trop cuits	Temps de cuisson ou niveau de puissance inapproprié.	Utilisez un temps de cuisson ou un niveau de puissance approprié.
Aliments insuffisamment cuits	<ul style="list-style-type: none">a. Vous avez introduit des matériaux qu'il faut éviter d'utiliser dans un four à microondes.b. Les aliments ne sont pas entièrement décongelés.c. Les orifices de ventilation du four sont obstrués.d. Temps de cuisson ou niveau de puissance inapproprié.	<ul style="list-style-type: none">a. Utilisez uniquement des plats allant au four à microondes.b. Décongelez entièrement les aliments.c. Vérifiez que les orifices de ventilation du four ne sont pas obstrués.d. Utilisez un temps de cuisson ou un niveau de puissance approprié.

PROBLÈME	CAUSES POSSIBLES	SOLUTIONS POSSIBLES
Décongélation incorrecte	<ul style="list-style-type: none"> a. Vous avez introduit des matériaux qu'il faut éviter d'utiliser dans un four à microondes. b. Temps de cuisson ou niveau de puissance inapproprié. c. Les aliments ne sont ni retournés ni remués. 	<ul style="list-style-type: none"> a. Utilisez uniquement des plats allant au four à microondes. b. Utilisez un temps de cuisson ou un niveau de puissance approprié. c. Retournez ou remuez les aliments.

