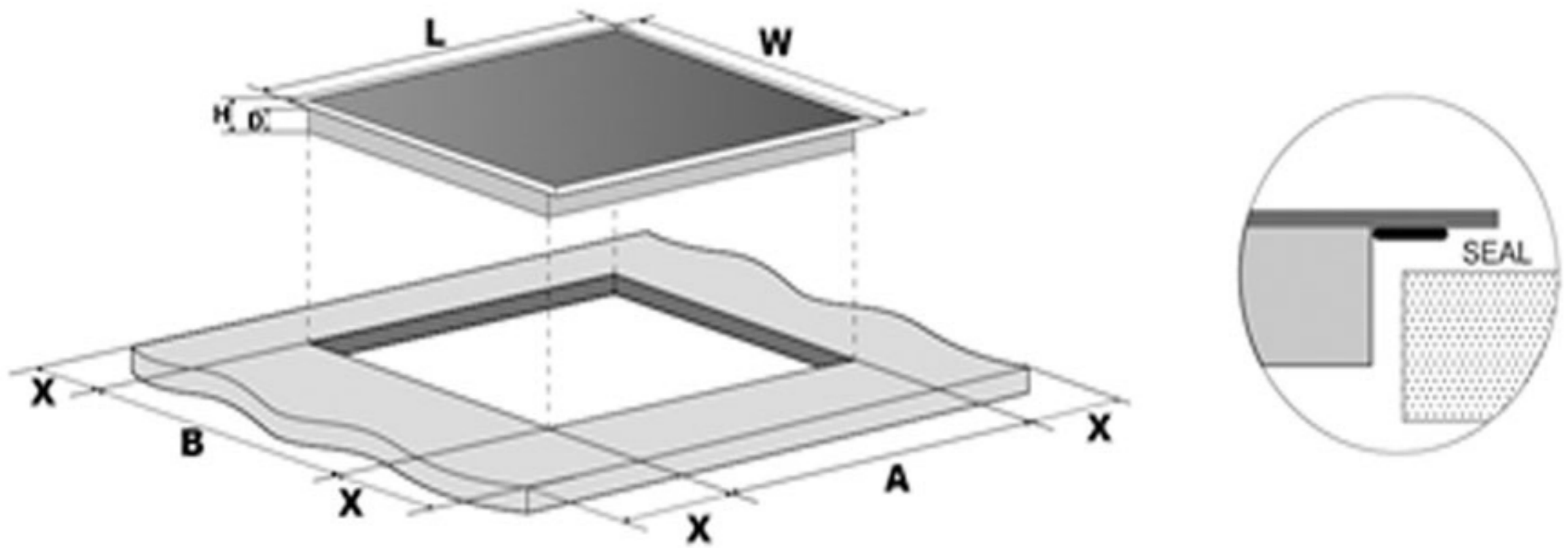


Installation Guide



Model#	L(in)	W(in)	H(in)	D(in)	A(in)	B(in)	X(in) min
EMPV-12REC10	11.33	20.47	2.05	2	10.63	19.69	2
EMPV-24REC11	23.23	20.47	2.05	2	22.05	19.69	2
EMPV-30REC12	30.31	20.47	2.05	2	29.53	19.69	2
EMPV-30REC13	30.31	20.47	2.05	2	29.53	19.69	2
EMPV-36REC14	35.43	20.47	2.05	2	34.65	19.69	2

Safety Distance

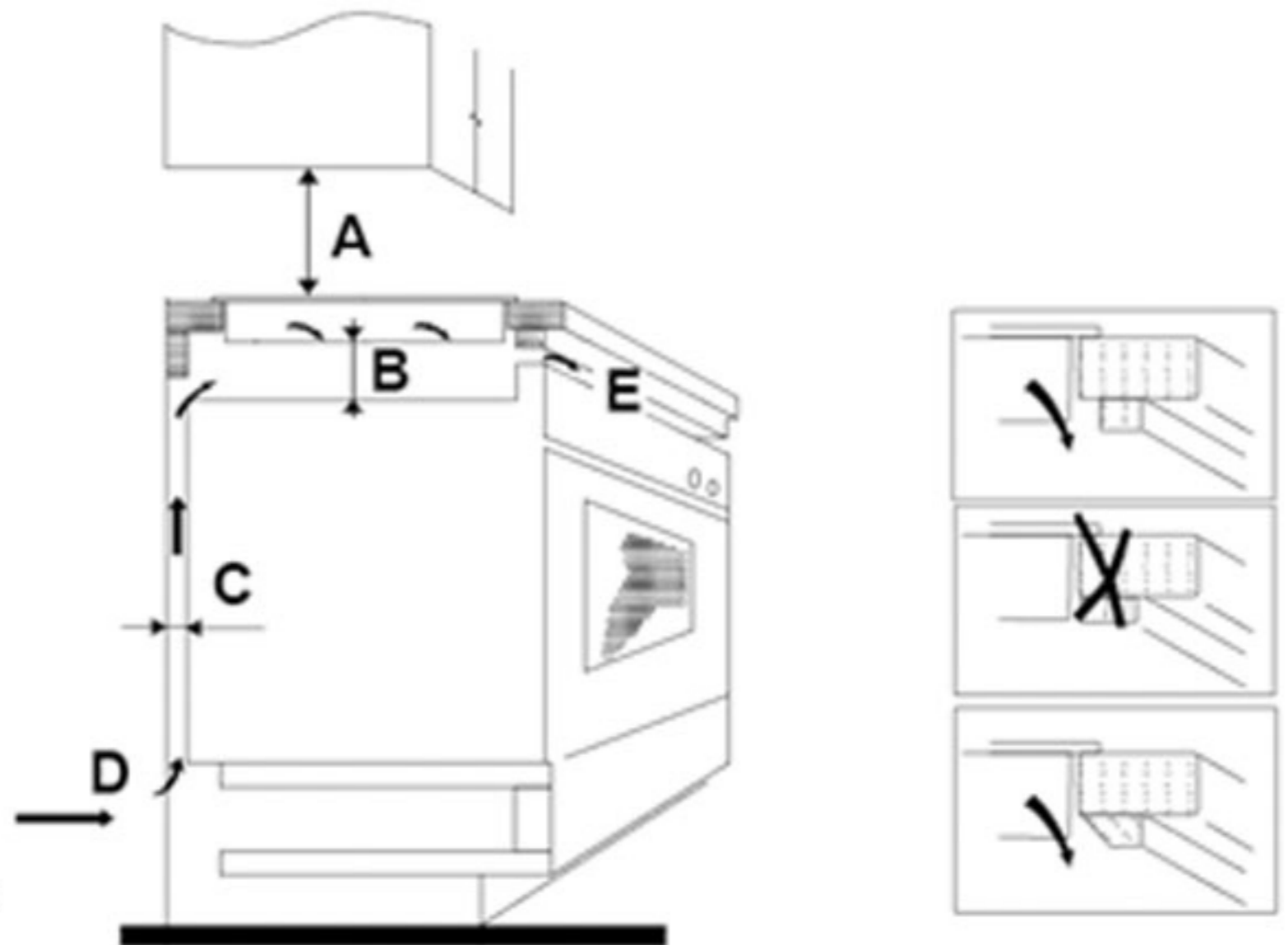
A: 30 inch

B: 1-31/32 inch mini

C: 13/16 inch mini

D: Air intake

E: Air exit 1/4 inch



Adjust the bracket position to suit for different work surface's thickness.

