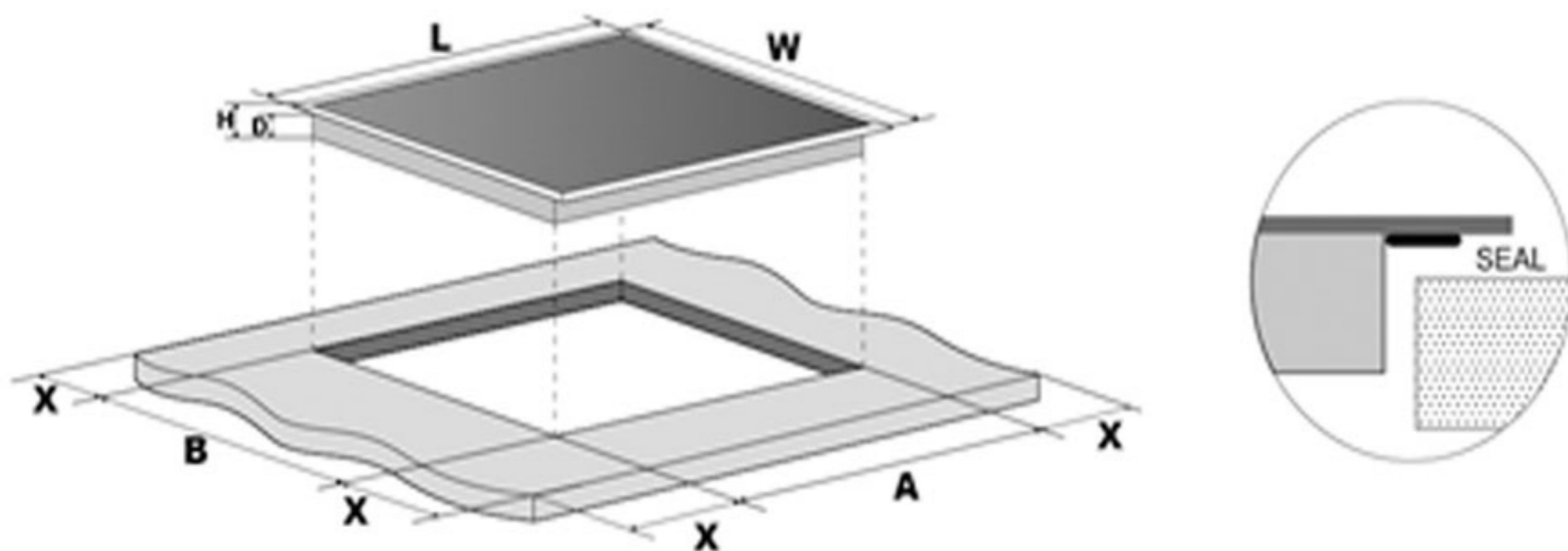


# Installation Guide



| Model#      | L(in) | W(in) | H(in) | D(in) | A(in) | B(in) | X(in) min |
|-------------|-------|-------|-------|-------|-------|-------|-----------|
| EMPV-30EC04 | 30.31 | 20.47 | 2.2   | 2     | 29.53 | 19.69 | 2         |
| EMPV-36EC05 | 35.43 | 20.47 | 2.2   | 2     | 34.65 | 19.69 | 2         |

## Safety Distance

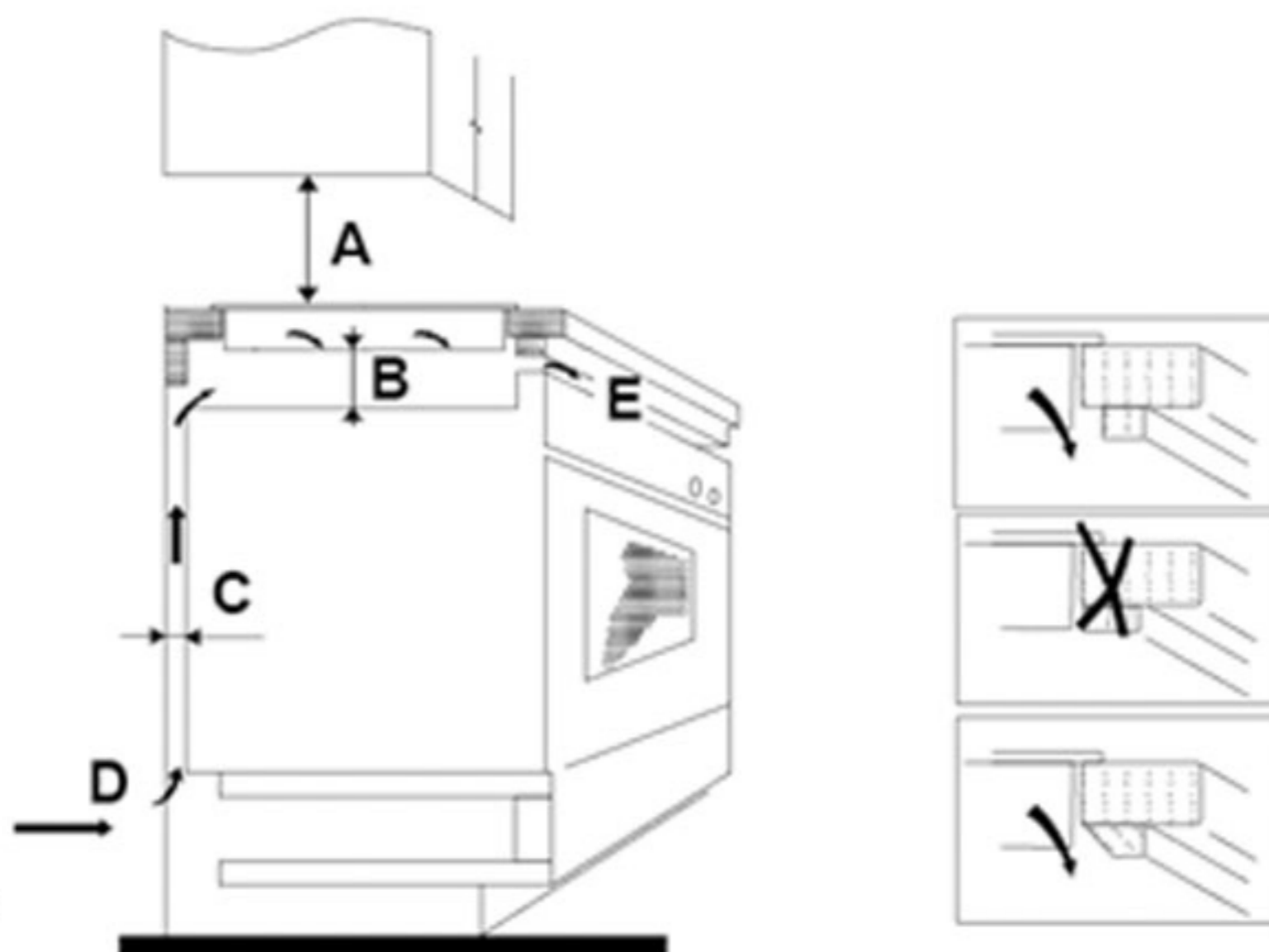
A: 30 inch

B: 1-31/32 inch mini

C: 13/16 inch mini

D: Air intake

E: Air exit 1/4 inch



**Adjust the bracket position to suit for different work surface's thickness.**

