

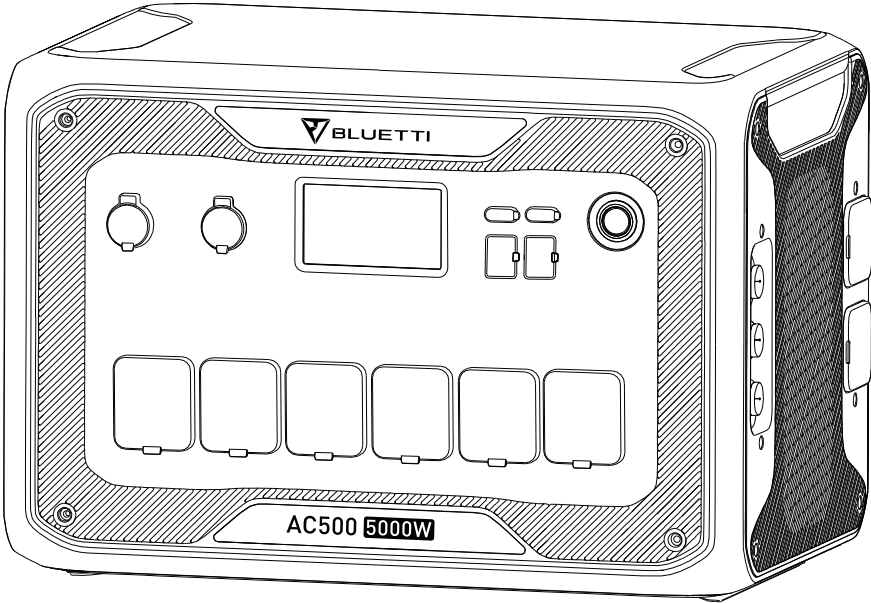
AC500

Portable Power Station

User Manual v2.0

Please Read This Manual Before Use And Follow Its Guidance.
Keep This Manual For Future Reference.





Thank You!

Thank you for making BLUETTI a part of your family. From the very beginning, BLUETTI has tried to stay true to a sustainable future through green energy storage solutions for both indoor and outdoor use while delivering an exceptional eco-friendly experience for our homes and our world. That's why BLUETTI makes its presence in 70+ countries and is trusted by millions of customers across the globe.

Content

English	1-18
Before You Begin	1
Safety Instructions	2
General Safety	2
Maintenance	3
Handling & Storage	3
What's In The Box	4
Standard Packaging	4
Product Overview	6
Diagram	6
Specifications	7
Operation	9
Powering On/Off	9
LCD Screen	9
Charging	10
Discharging	14
Capacity Expansion	15
UPS	15
BLUETTI App	17
Power Lifting Mode	17
Appendix	18
FAQs (Frequently Asked Questions)	18
Technical Support	18
Deutsch	22-39

Before You Begin

The information contained herein is subject to change without notice.

For the latest version of this user manual, please visit

<https://www.bluettipower.eu/pages/manuals>.

- The user manual contains instructions and notes on the operation and use of this unit.
- BLUETTI recommends that you use genuine accessories from BLUETTI.
- BLUETTI shall not be responsible for any damage or expense that might result from the use of parts other than genuine parts from the BLUETTI.
- For your safety and benefit, please read carefully before using and keep it handy for future reference.

Safety Instructions

General Safety

BLUETTI products are developed to be safe and reliable. Please read this guide for important safety information about your device. The guide is intended to help you be more comfortable and productive while using this device. Failure to follow these guidelines for proper set up, use, and care for your device may cause damage to this unit and injury to yourself or others.

【SAVE THESE INSTRUCTIONS!】

- Always operate or store the unit within the specified temperature range.
- DO NOT expose the unit to fire, liquids, sweat, dirt or other contaminants, as that may cause explosion or other safety risks.
- DO NOT place the unit on an unstable or tilted surface.
- Make sure the place where you are using the unit is well ventilated and spacious.
- Keep away from children and pets.
- DO NOT ignore those warning signs on components or products made by manufacturers.
- DO NOT dismantle, cut, crush, puncture, or otherwise damage the unit in any way.
- DO NOT insert foreign objects into the fan, vents, ports, or other openings.
- NEVER use a damaged battery or component. Improper use or misuse of damaged batteries may cause damage to your device or injury to yourself as a result of battery fluid leakage, fire, overheating, or explosion.
- Use approved battery and accessories ONLY. Improper use, or use of unapproved or incompatible batteries or components may result in a risk of fire, explosion, or other hazards, and may invalidate any approval or warranty.
- Turn off the unit IMMEDIATELY in case of malfunction.
- Use dry powder fire extinguisher in case of fire.
- DO NOT attempt to modify, replace the internal battery or any other component of the unit by anyone other than qualified personnel. If necessary, take it to an authorized service center as incorrect reassembly may result in a risk of fire or electric shock.

Maintenance

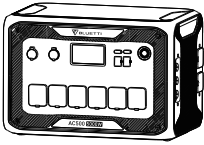
- When not using the unit for extended periods of time, power off the unit and disconnect the AC charging cable from the outlet.
- Charge the unit to 50-70% SOC every 6 months for long-term storage.
- Clean the unit with a dry cloth gently and carefully.

Handling and Storage

- Use mechanical assistance as needed(e.g. trolleys and adjustable height workbenches).
- DO NOT stack anything on top of the unit either in storage or in use.
- Recommended storage temperature: -13-104°F/-25-40°C.

What's In The Box

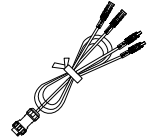
Standard Packaging



Portable Power Station



AC Charging Cable



DC Input Cable

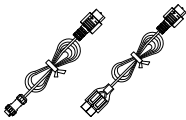


Car Charging Cable



User Manual

* Below accessories are not included in standard packaging and can be purchased separately at <https://www.bluettipower.eu/>.



30A RV Cable



Lead-acid Battery
Charging Cable



D300S PV Voltage Step
Down Module



Cigarette Lighter-F to
DC5521 Cable (24V)



32A Aviation Plug

* **AC Charging Cable:** 59in/150cm.

DC Input Cable: 59in/150cm. Aviation-MC4.

Car Charging Cable: 19.7in/50cm.Cigarette Lighter Port-MC4.

30A RV Cable: Aviation-XT60, 31.5in/80cm;
XT60-SPC45, 19.7in/50cm.

Lead-acid Battery Charging Cable: 19.7in/50cm. Clamp-MC4.

D300S PV Voltage Step Down Module: 65in/165cm(output cable).

Cigarette Lighter-F to DC5521 Cable(24V): 28.3in/72cm.

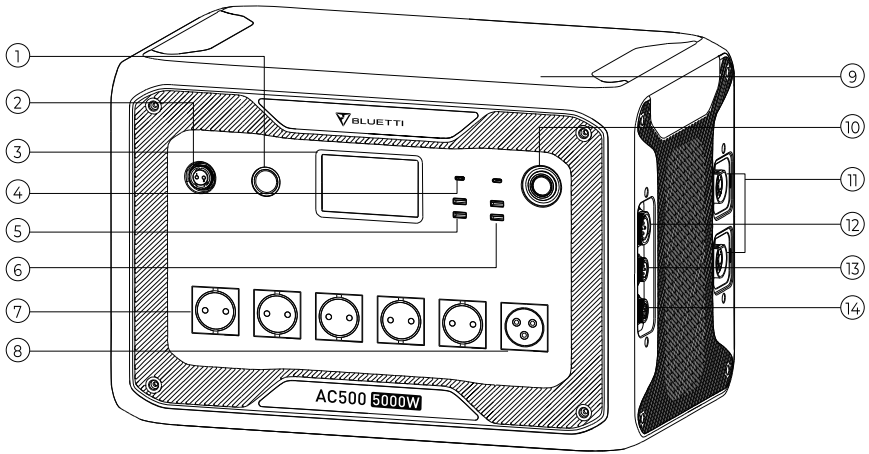
32A Aviation Plug: Used to obtain 5000W AC output.Please refer to AC500
32A Aviation Plug Guide for details.

Note: All measurements are for reference only.

Package details are subject to change without prior notice.

Product Overview

Diagram



- | | |
|-------------------------------|----------------------------|
| 1. 24V Cigarette Lighter Port | 8. 32A AC Output |
| 2. 12V/30A RV Port | 9. Wireless Charging Pad |
| 3. LCD Screen | 10. Power Button |
| 4. USB-C PD3.0 | 11. Battery Expansion Port |
| 5. 18W USB-A Port | 12. AC Input |
| 6. USB-A Port | 13. DC1/DC2 Input |
| 7. 16A AC Output | 14. Communication Port |

Specifications

AC500

General

Battery Capacity (With 1-6 B300S)	3072-18432Wh/60-360Ah	
Dimensions (L*W*H)	20.5*12.8*14.1inch/520*325*358mm	
Weight	66.2lb/30kg	
Discharging Temperature	-4-104°F/-20-40°C	
Charging Temperature	-4-104°F/-20-40°C	
Storage Temperature	-13-104°F/-25-40°C	
Over Temperature Protection (With B300S)	Discharging	65°C (Recovery at 55°C)
	Charging	55°C (Recovery at 45°C)
Working Humidity	10-90%	

AC Output

Power	5000W
Surge	10000W
Voltage	220-240VAC
Current	21.7A
Frequency	50/60Hz
Overload	5000-6000W, 2min 6000-7500W, 5s 7500-10000W, 500ms

DC Output

Cigarette Lighter Port *1	24VDC, 10A
12V/30A RV Port *1	12V, 30A Overload 418W, 2s
USB-A *2	5VDC, 3A
USB-A QC3.0 *2	18W Max. (3.6-12VDC, 3A)
USB-C PD3.0 *2	100W Max. (5/9/12/15/20VDC, 3A; 20VDC, 5A)
Wireless Charging *2	15W Max.

AC Input

Power	5000W Max.
Voltage	176-253VAC
Current	23A Max.
Frequency	47-63Hz

DC Input

Power	1500W Max. *2
Voltage	12-150VDC
Current	15A Max.

Note: If there's only one B300S, the combo gets a maximum of 4500W output.
When connecting B300S with T500 adapter or AC500 to the grid, B300S is able to self-heat and get charged even at -4°F/-20°C.

Operation

Powering On/Off

Startup and shutdown: Press and hold the power button on AC500 or B300S to turn the combo on or off.

AC/DC Output: Tap 'AC ON/OFF' or 'DC ON/OFF' on the screen to enable/disable the AC/DC output.

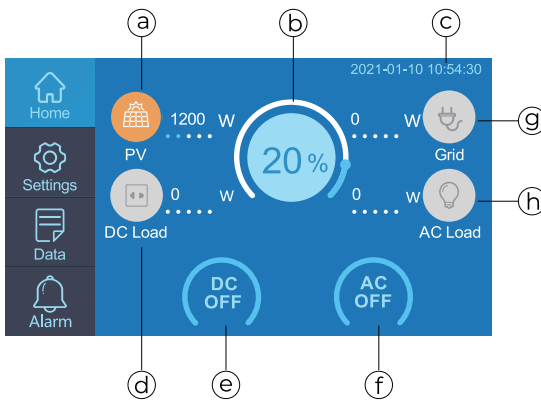
Operation	Green Light (On the Buttons)	LED Indicator (On B300S)
Powering On	ON	ON
Shutdown	OFF	OFF

Note: Turn on the DC power to enable wireless charging.
When connected to the grid or PV, the combo turns on automatically.
The combo turns off automatically upon 4 hours:
a: No input and output b: AC and DC output off

LCD Screen

Homepage

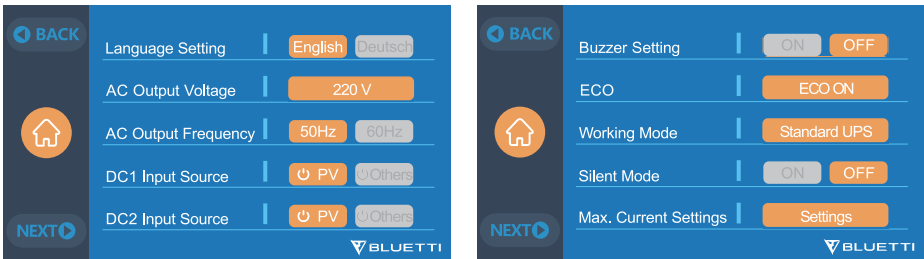
This section displays the charge/discharge status and navigates to detailed product information.



- a: PV Input
- b: Battery Capacity
- c: Date/Time
- d: DC Load
- e: DC ON/OFF
- f: AC ON/OFF
- g: Grid Input
- h: AC Load

Settings

This section provides general setting configurations, including language, AC/DC output and input, ECO mode, machine type, system date/time, etc.

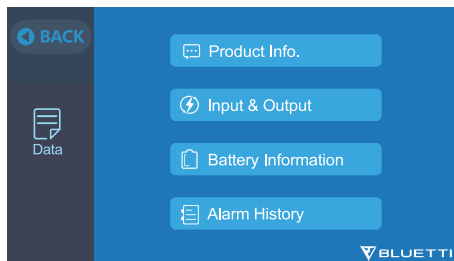


Note: Check all the settings before first use.

AC frequency and voltage can only be adjusted after AC output is turned off.
Voltage and frequency reference: EU/UK: 230V/50Hz AU: 240V/50Hz

Data

This section provides all basic information including product, inverter and charger, battery, and alarm history.



Note: 'Input & Output' indicates the input and output status of this unit;

'Battery Information' indicates the connection status of battery pack(s);

'Alarm History' records all alarms generated which can be manually deleted.

- In this mode, the AC output will automatically turn off after 4-hour low($\leq 30W$) or no load to save power.

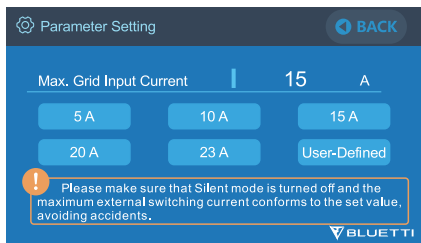
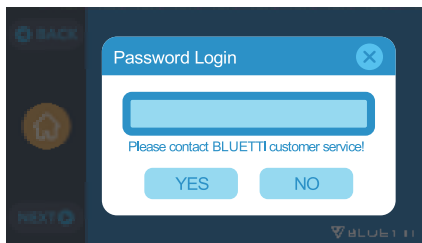
Charging

AC Charging

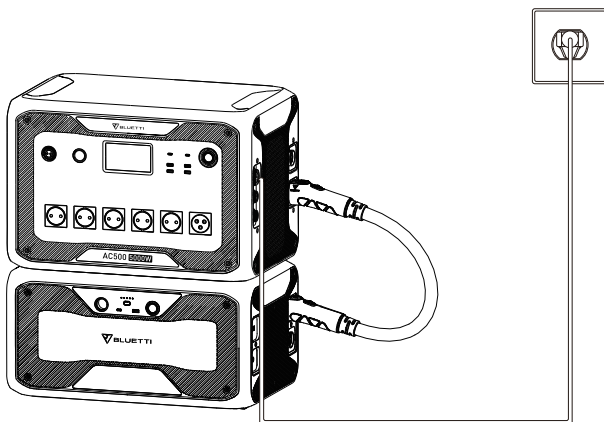
(1) Consider the specifications of utility, AC outlet and charging cable before setting the Max. Grid Input Current.

Note: The Max. Grid Input Current is set at 10A by default and only works when AC500 connects to the grid.

Email to BLUETTI Customer Service for password.

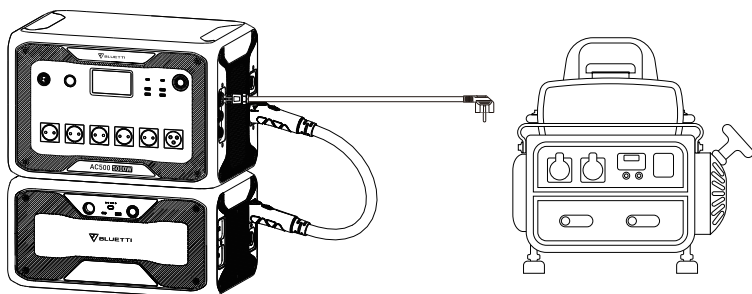


(2) Plug the AC500 into the wall outlet via the AC charging cable.



Generator Charging

Connect AC500 to the generator via the charging cable*.



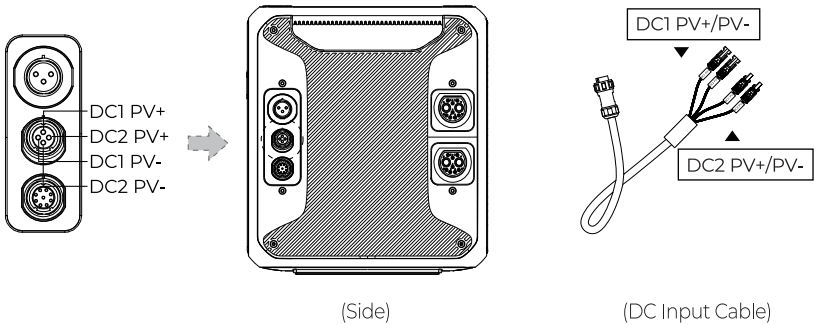
* Sold separately.

Note: BLUETTI recommends an inverter generator that delivers at least 5000W pure sine wave AC power.

Voltage and frequency limit: EU/UK: 195.5-253VAC/47-53Hz AU: 204-264VAC/47-53Hz

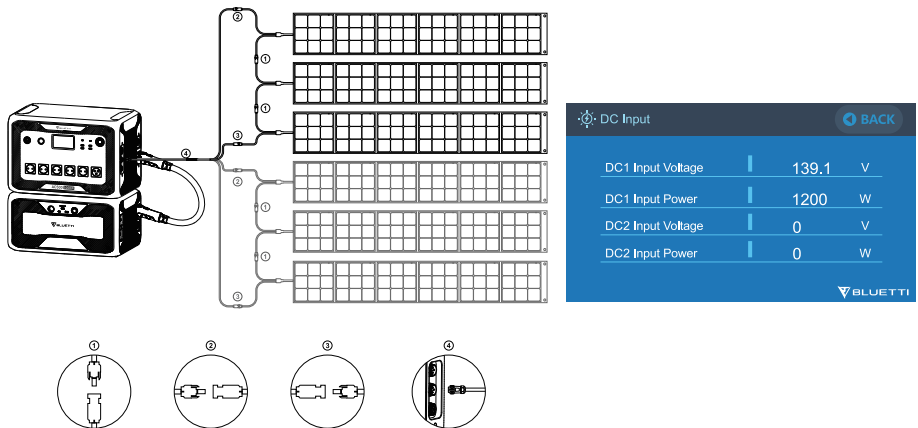
PV Charging

AC500 supports dual PV input with the DC input cable. Connect the solar panels (in series or parallel) to AC500 and CHECK the PV connection on LCD screen.



Note: Please make sure your solar panels at each input comply with:
 OCV: 12-150V V_{mp} : 12-150V Power: 1500W Max.

E.g. Connect three BLUETTI PV350 solar panels in series to DC1 or DC2.
 BLUETTI PV350: V_{oc} =46.5V V_{mp} =37.5V Current=9.2A Max.
 Total: V_{oc} =46.5×3=139.5V V_{mp} =37.5×3=112.5V Current=9.2A Max.



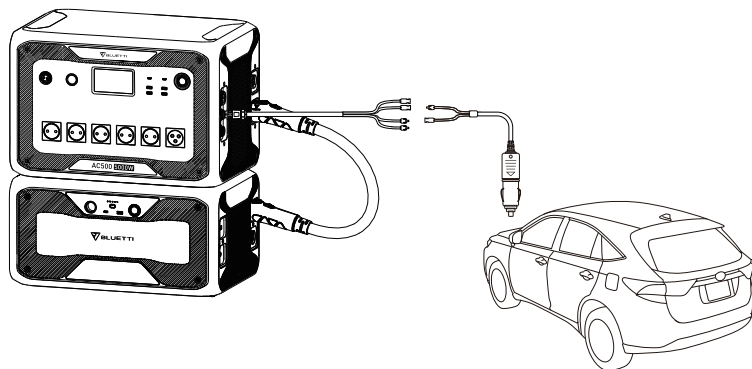
- ① OCV: Open circuit voltage, also for V_{oc} . The maximum voltage that the solar panel can produce with no load on it.
- ② V_{mp} : Voltage at maximum power. The voltage available when the panel is operating at its peak performance output.

The roof panel can also charge the AC500. If the panel's OCV falls in 150-550V, please use the D300S to lower the voltage. Find details in D300S PV Voltage Step Down Module User Manual.

Car Charging

Connect the AC500 to the vehicle plug-in cigarette lighter port via the DC input cable and car charging cable.

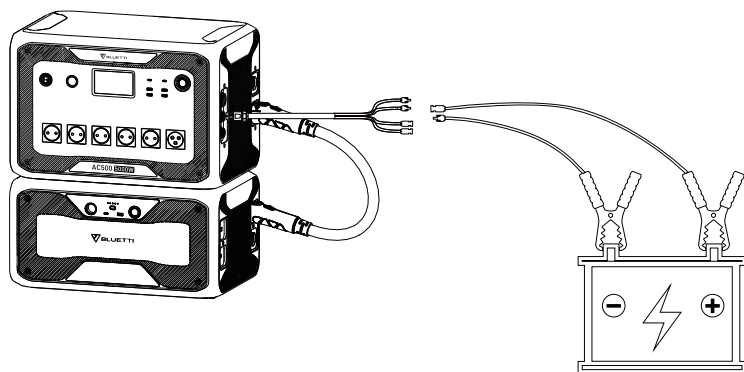
Note: Set 'Others' as DC1/DC2 input source to enable car charging.
The Max. input current is 8.2A.



Lead-acid Battery Charging

Connect the AC500 with the lead-acid battery via the DC input cable and lead-acid battery charging cable. ⚡

Note: Set 'Others' as DC1/DC2 input source to enable lead-acid battery charging.
Clamp the positive connector(red) to the positive battery terminal and negative(black) to the other.
The Max. input current is 8.2A.



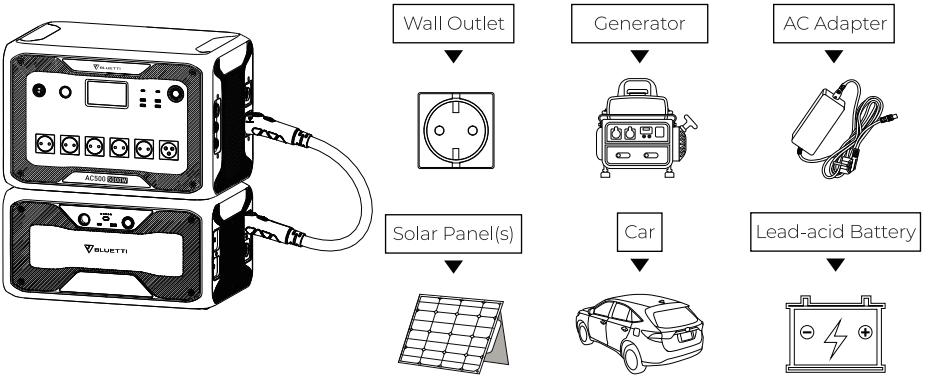
⚡ The lead-acid charging cable is for charging AC500 ONLY.

Dual Charging

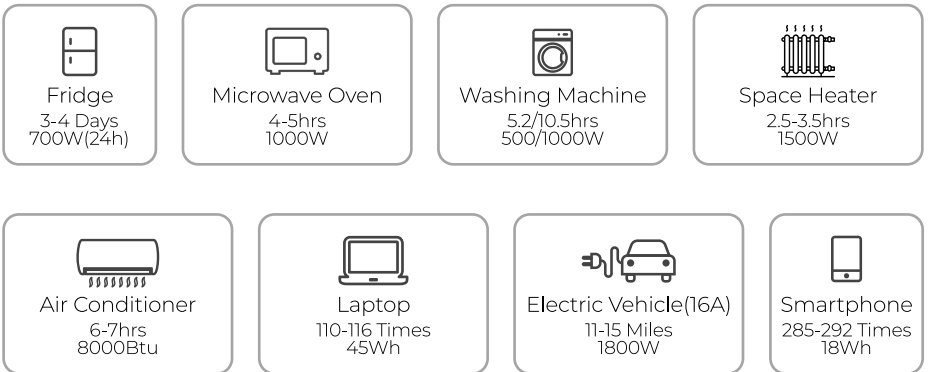
Set 'PV' as DC1/DC2 input source to enable AC/Generator + PV Charging.

Set 'Others' as DC1/DC2 input source to enable AC/Generator + Adapter/Car/Lead-acid Battery Charging.

Turn on 'PV Parallel Enable' to enable excessive PV charging(>1500W, <150V).



Discharging



$6144\text{Wh}^* \times \text{DoD} \times \eta \div (\text{load power}) = \text{discharging time (estimated)}$

* Take the AC500+2*B300S combo as an example.

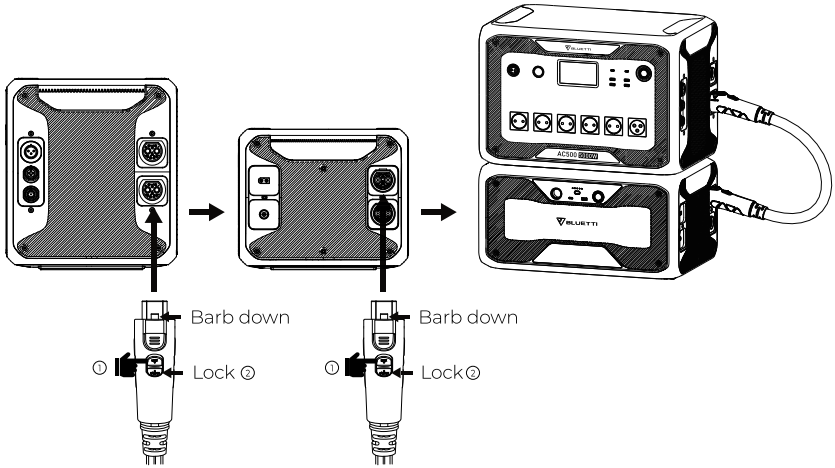
Note: DoD refers to the Depth of Discharge, η is the local inverter efficiency.

DoD=95%, η =90%.

DoD may vary depending on ambient-operating temperature and discharge rate. Load power and charging time are measured in Watt and Hour.

Capacity Expansion

AC500 supports up to 6 expansion batteries for a total of 18,432Wh capacity. Connect AC500 to B300S via the P150D battery expansion cable, or B300 via the P150D to P090D cable. For more details, please refer to B300S or B300 User Manual.

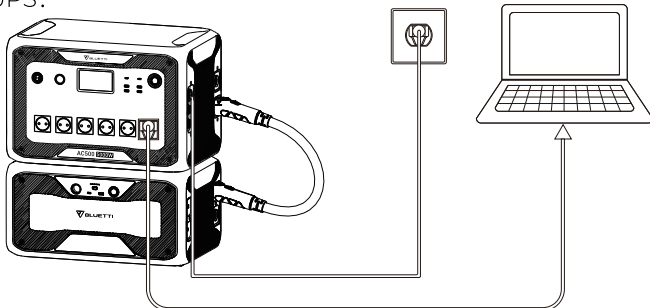


Note: If there's only one B300S connected, the combo delivers a maximum output of 4500W. To get 5000W output, please connect at least one expansion battery to each expansion port.

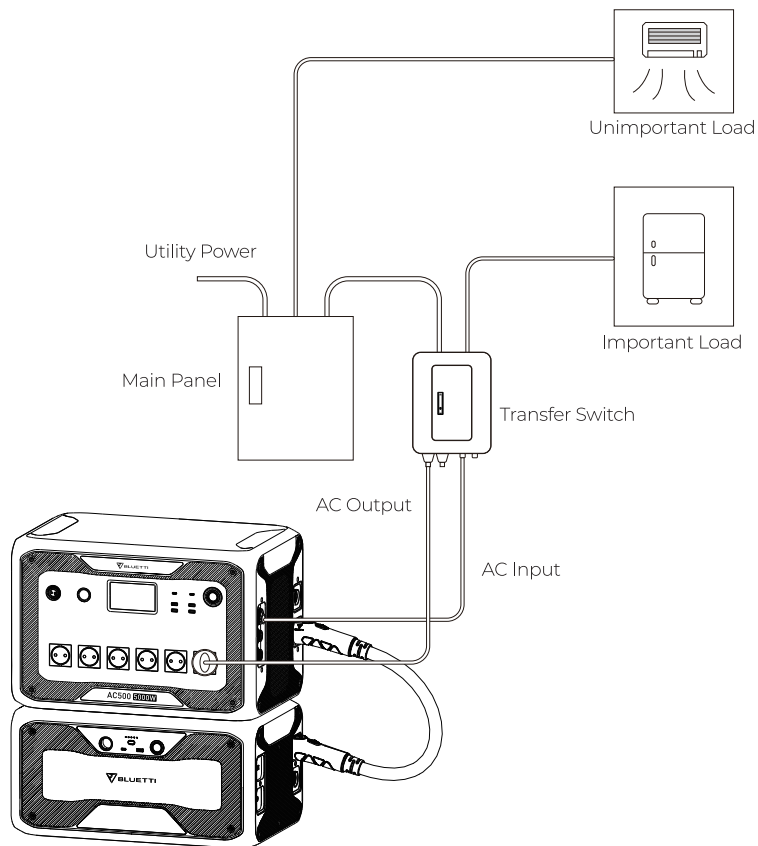
UPS

Plug the AC500 + B300S combo to a standard wall outlet or tie them to the grid. When the grid fails, the combo steps in and provides power for connected devices. Online UPS supplies power from the grid to the load through a rectifier and inverter combination regardless there is grid power or a power outage. Offline UPS supplies power from the grid directly to the load when grid power is available, and whenever there is a power outage, it provides power to the load through the backup battery.

Plug-in UPS:



Grid-tied UPS:



* The grid-tied UPS should be built by a qualified electrician. Please contact BLUETTI Customer Service for details.

AC500 has 4 UPS modes-Standard, Time Control, PV Priority, and Customized UPS, and BLUETTI's UPS mode guide is as follows:

1. The standard UPS mode is good for regions with unstable grid power supply.
2. The Time Control UPS mode will save your electricity bills by setting the charging and discharging time.
3. The PV Priority UPS mode is better for regions with plenty of sunlight all the year.
4. The Customized UPS mode allows you to design your power supply system.

Please refer to **BLUETTI Support** on **YouTube** for detailed instructions.

BLUETTI APP

Download the app from App Store or Google Play and follow the BLUETTI APP INSTRUCTIONS to better control and monitor the AC500 + B300S combo.



Power Lifting Mode

This mode can be enabled in BLUETTI App. When on this mode, the combo can power high drain pure resistive loads[Ⓢ] ($\leq 6000W$), while the rated output power remains 5000W.

Note: Make sure the combo disconnects the grid and the B300S doesn't overload. The AC500 detects the resistance of devices and adjusts the output voltage automatically. The mode fails when the AC500 drops below 70% of its rated voltage.

Ⓢ Includes heaters, irons or any other devices consisting of heating elements only.

Appendix

FAQs (Frequently Asked Questions)

Q: Can I use third-party solar panels to charge this product?

A: Yes, you can. As long as the specs of solar panels on DC1 or DC2 input fall in below range:

OCV&Vmp: 12-150V

Input Power: 1500W Max.

With the same power connector (MC4)

Q: Why can't the unit be charged when the solar panels are connected?

A: Please follow below steps:

- 1) Press the 'PV' on LCD screen to check whether the solar panels are connected successfully.
- 2) Check the connection of solar panels and the PV input cable.
If the symptom persists, please contact BLUETTI Customer Service.

Q: How long will it take to switch the UPS?

A: 20ms.

Q: How to upgrade the firmware?

A: Connect the unit with BLUETTI App, then you can over-the-air (OTA) upgrade the firmware including ARM, DSP, HMI, and BMS.

Technical Support

Should you require any further assistance, please do not hesitate to contact BLUETTI Customer Service.

For more information, please visit:



@ BLUEETTI Support

@ BLUEETTI Official



@bluetti_official



@ bluetti.inc



@ bluetti_Linc



sale-eu@bluettipower.com

sale-uk@bluettipower.com

SHENZHEN POWEROAK NEWENER CO., LTD.

Add: F19, BLD No.1, Kaidaer, Tongsha Rd No.168, Xili Street,
Nanshan, Shenzhen, China

After-sales address in EU: Lise-Meitner-Strasse 14, 28816 Stuhr, Germany

After-sales address in UK: Unit 2 Northgate, Bolsover Busines Park,
Woodhouse Line, Chesterfield England S44 6BD

EU REP

Company: POWEROAK GmbH

Address: Lise-Meitner-Str. 14 28816 Stuhr Germany

Mail: logi@bluetti.de

UK REP

Company: POWEROAK ENERGY UK CO.,LTD

Address: Unit 2 NorthGate, Bolsover Business Park,
Woodhouse Lane Chesterfield England, S44 6BD

Mail:poweroak.eu@bluetti.com



AC500

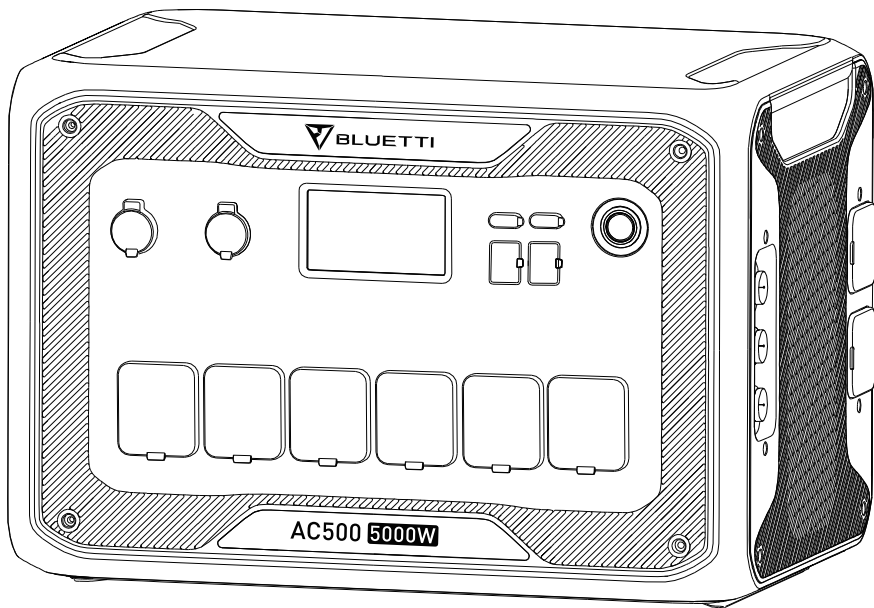
Tragbare Powerstation

Benutzerhandbuch v2.0

Studieren Sie dieses Handbuch vor Gebrauch und beachten Sie die darin enthaltenen Hinweise.

Bewahren Sie dieses Handbuch zum späteren Nachschlagen auf.





Vielen Dank!

Vielen Dank, dass Sie BLUETTI zu einem Teil Ihrer Familie gemacht haben. Von Anfang an hat BLUETTI versucht, einer nachhaltigen Zukunft durch umweltfreundliche Energiespeicherlösungen für den Innen- und Außenbereich treu zu bleiben.

Aus diesem Grund ist BLUETTI in mehr als 70 Ländern präsent und genießt das Vertrauen von Millionen von Kunden auf der ganzen Welt.

Bevor Sie beginnen

Die hierin enthaltenen Informationen können ohne vorherige Ankündigung geändert werden.

Die neueste Version finden Sie unter

<https://de.bluettipower.eu/pages/benutzerhandbucher>

- Das Benutzerhandbuch enthält Anweisungen und Hinweise zur Bedienung und Verwendung dieses Geräts.
- BLUETTI empfiehlt, Originalzubehör von BLUETTI zu verwenden.
- BLUETTI haftet nicht für Schäden oder Kosten, die sich aus der Verwendung anderer Teile als Originalteile ergeben könnten.
- Zu Ihrer Sicherheit und einfacher Bedienbarkeit lesen Sie diese Anleitung bitte sorgfältig durch und halten Sie sie für zukünftige Referenzen bereit.

Sicherheitshinweise

Allgemeine Sicherheit

BLUETTI-Produkte werden nach den neuesten Sicherheitsstandards entwickelt. Bitte lesen Sie diese Anleitung vor der Erstbenutzung Ihres Gerätes sorgfältig durch. Wenn Sie diese Anwendungshinweise für die ordnungsgemäße Einrichtung, Verwendung und Pflege Ihres Geräts nicht befolgen, kann dies zu Schäden am Gerät und zu Verletzungen von Ihnen selbst oder anderen führen.

【 BEWAHREN SIE DIESE ANLEITUNG GUT AUF! 】

- Betreiben oder lagern Sie das Gerät immer im angegebenen Temperaturbereich. Setzen Sie das Gerät KEINER Hitze, Flüssigkeiten, Schweiß, Schmutz oder anderen Verunreinigungen aus, da dies im Extremfall dazu führen kann, dass die Batterie explodiert oder brennbare Flüssigkeiten oder Gase austreten.
- Platzieren Sie das Gerät NICHT auf einer instabilen oder geneigten Oberfläche.
- Stellen Sie sicher, dass der Ort, an dem Sie das Gerät verwenden, gut belüftet und geräumig ist.
- Achten Sie darauf das Gerät von Kindern und Haustieren fern zu halten.
- Ändern Sie NICHTS am Gerät selbst und versuchen Sie nicht Fremdkörper in das Gerät einzuführen. Tauchen Sie es niemals in Flüssigkeiten ein und vermeiden Sie Feuchtigkeit und Wasser am und im Gerät. Batterien können explodieren, wenn sie beschädigt werden.
- Batterieflüssigkeit ist korrosiv und kann giftig sein. Wenn eine Batterie ausläuft, verhindern Sie, dass die ausgetretene Flüssigkeit Ihre Haut, Augen, Kleidung oder andere Oberflächen berührt.
- Spülen Sie die betroffenen Bereiche sofort mit Wasser aus oder suchen Sie medizinische Hilfe auf.
- Ignorieren Sie KEINE Warnhinweise auf Komponenten oder Produkten. Zerlegen, schneiden, zerquetschen, durchstechen oder beschädigen Sie das Gerät in keiner Weise.
- Führen Sie keine Fremdkörper in den Ventilator, die Lüftungsschlitze, die Anschlüsse oder andere Öffnungen ein.

- Verwenden Sie NIEMALS eine beschädigte Batterie oder Komponente. Unsachgemäße Verwendung oder Missbrauch beschädigter Batterien kann zu Schäden an Ihrem Gerät oder zu Personenverletzungen führen, die auf das Austreten von Batterieflüssigkeiten, Feuer, Überhitzung oder Explosion zurückzuführen sind.
- Verwenden Sie AUSSCHLIESSLICH zugelassene Batterien und Zubehör. Unsachgemäße Verwendung oder Verwendung von nicht zugelassenen oder inkompatiblen Batterien oder Komponenten kann zu einem Brand, Explosion oder anderen Gefahren und Risiken führen und jede Betriebsgenehmigung oder Garantie ungültig machen.
- Schalten Sie das Gerät im Falle einer Fehlfunktion UNMITTELBAR aus. Verwenden Sie im Brandfall einen trockenen Pulverfeuerlöscher.
- Versuchen Sie NICHT, die interne Batterie oder eine andere Komponente des Geräts durch nicht qualifiziertes Personal modifizieren oder ersetzen zu lassen. Falls erforderlich, bringen Sie es zu einem autorisierten Service-Center, da eine falsche De- und Montage zu Brand-oder Stromschlaggefahr führen kann.

Instandhaltung

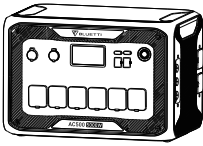
- Wenn Sie das Gerät längere Zeit nicht verwenden, schalten Sie es aus und trennen das Netzteil von der Steckdose.
- Laden Sie das Gerät ca. alle 3-6 Monate für die Langzeitlagerung auf 80% Ladekapazität auf.
- Reinigen Sie das Gerät vorsichtig mit einem trockenen Tuch.

Handhabung und Lagerung

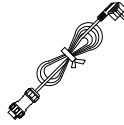
- Verwenden Sie bei Bedarf mechanische Unterstützung (z. B. Trolleys und höhenverstellbare Werkbänke).
- Stapeln Sie NICHTS auf dem Gerät, weder zum Lagern noch während des Betriebes.
- Empfohlene Lagertemperatur: -13 - 104°F / -25 - 40°C.

Lieferumfang

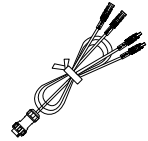
Standardumfang



Tragbare Powerstation



Netz-Ladekabel



DC Ladekabel

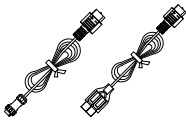


Kfz-Ladekabel



Bedienungsanleitung

* Die folgenden Zubehöre sind nicht Teil der Standardverpackung und müssen separat bestellt werden. Siehe <https://de.bluettipower.eu/>



30A RV Kabel



Blei-Säure-Batterie
Ladekabel



D300S PV Spannungsminderere
Modul



Zigarettenanzünder auf
DC5521 Kabel (24V)



32A Luftfahrt Stecker

* **Netz-Ladekabel:** 59in / 150cm.

DC-Eingangskabel: 59in / 150cm. Luftfahrt auf MC4.

Auto-Ladekabel: 19,7in / 50cm. Zigarettenanzünder auf MC4.

30A RV Kabel: Luftfahrtstecker-XT60, 31,5in / 80cm; XT60-SPC45, 19,7in / 50cm

Blei-Säure-Batterie Ladekabel: 19,7in / 50cm. Kroko-Klemme auf MC4.

D300S PV Spannungsminderer: 65in / 165cm [Ausgangskabel].

Zigarettenanzünder zu DCSS21 Kabel (24V): 28,3in / 72cm.

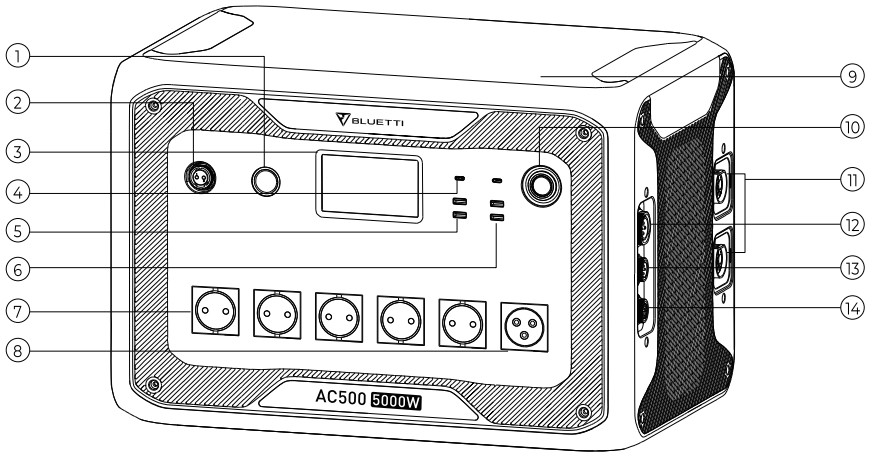
32A Luftfahrtstecker: Wird verwendet, um 5000W AC-Ausgang bereitzustellen.
Weitere Informationen dazu finden Sie im AC500 32A Luftfahrtstecker Handbuch.

Hinweis: Alle angegebenen Werte dienen nur als Referenz.

Paketdetails können ohne vorherige Ankündigung geändert werden.

Produkt Übersicht

Ansicht



- | | |
|--------------------------------------|-------------------------------|
| 1. 24 V Zigarettenanzünder Anschluss | 8. 32A AC-Ausgang |
| 2. 12V/30A RV-Anschluss | 9. Schnurloses Ladepad |
| 3. LCD-Bildschirm | 10. Einschalter |
| 4. USB-C PD3.0 | 11. Batterieerweiterungs-Port |
| 5. 18W USB-A-Anschluss | 12. Netz-Eingang |
| 6. USB-A-Anschluss | 13. DC1/DC2-Eingang |
| 7. 16A AC-Ausgang | 14. Kommunikationsanschluss |

Leistungsbeschreibung

AC500

allgemein

Batteriekapazität (mit 1-6 B300S)	3072-18432Wh/60-360Ah	
Abmessungen [L x B x H]	20,5 x 12,8 x 14,1in / 520 x 325 x 358mm	
Gewicht	66,2lb / 30kg	
Entladetemperatur	-4 - 104°F/-20 - 40°C	
Ladetemperatur	-4 - 104°F/-20 - 40°C	
Lagertemperatur	-13 - 104°F / -25 - 40°C	
Überhitzungsschutz (mit B300S)	Entladung	65°C (Erholung bei 55°C)
	Laden	55°C (Erholung bei 45°C)
Betriebs-Luftfeuchtigkeit	10-90%	

AC Ausgang

Leistung	5000W
Spitze	10000W
Spannung	220-240VAC
Strom	21.7A
Frequenz	50/60Hz
Überlastung	5000-6000W, 2min 6000-7500W, 5s 7500-10000W, 500ms

DC Ausgang

Zigarettenanzünder-Port *1	24VDC, 10A
12V / 30A RV Anschluss *1	12V, 30A Überlastung bei 418W, 2s
USB-A *2	5VDC, 3A
USB-A QC3.0 *2	18W Max. (3.6-12VDC, 3A)
USB-C PD3.0 *2	100W Max. (5/9/12/15/20VDC, 3A; 20VDC, 5A)
Schnurloses Laden *2	15W Max.

AC Eingang

Leistung	5000W Max.
Spannung	187-264VAC
Strom	23A Max.
Frequenz	47-63Hz

DC Eingang

Leistung	3000W Max.
Spannung	12-150VDC
Strom	15A Max.

Hinweis: Wenn es nur einen B300S gibt, erreicht die Kombination eine maximale Leistung von 4500 W.
Wenn der B300S mit dem T500-Adapter oder der AC500 an das Stromnetz angeschlossen wird, kann sich der B300S selbst erwärmen und sogar bei -4°F / -20°C aufgeladen werden.

Betrieb

Ein- /Ausschalten

Starten und Herunterfahren: Halten Sie den Netzschalter an der ACS00 oder dem B300S gedrückt, um die Kombination ein- oder auszuschalten.

AC / DC-Ausgang: Tippen Sie auf 'AC ON / OFF' oder 'DC ON / OFF', um ihn zu aktivieren oder zu deaktivieren.

Betrieb	Grünes Licht (auf den Tasten)	LED Anzeige (auf B300S)
Einschalten	An	An
Ausschalten	Aus	Aus

Hinweis: Schalten Sie die Gleichstromversorgung ein, um das kabellose Laden zu aktivieren. Wenn die Kombination an das Netz oder die PV angeschlossen ist, schaltet sie sich automatisch ein.

Die Kombination schaltet sich unter folgenden Bedingungen nach 4 Stunden automatisch aus:

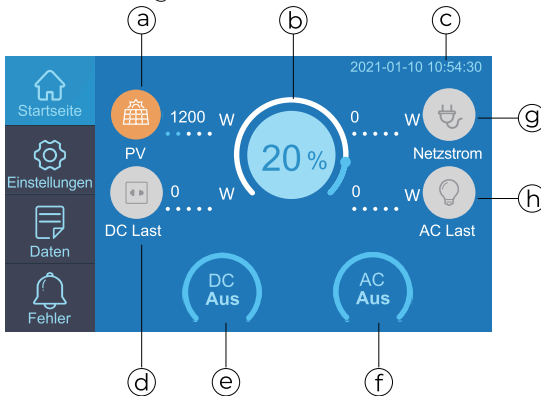
a: Kein Eingang und Ausgang

b: AC- und DC-Ausgang aus

LCD-Bildschirm

Homepage

In diesem Abschnitt wird der Lade-/Entladestatus angezeigt und zu detaillierten Produktinformationen navigiert.



a: PV Eingang

e: DC Ein / Aus

b: Akku Kapazität

f: AC Ein / Aus

c: Datum/Uhrzeit

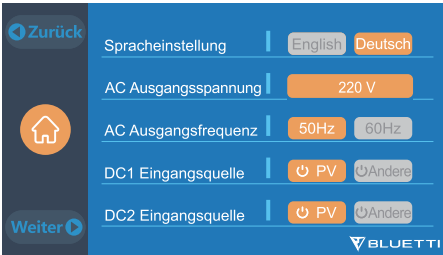
g: Netz Eingang

d: DC Eingang

h: AC Eingang

Einstellungen

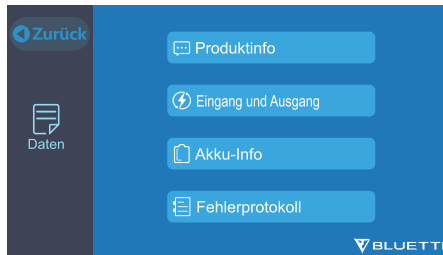
Dieser Abschnitt enthält allgemeine Einstellungskonfigurationen wie Sprache, AC / DC - Ausgang und -Eingang, ECO-Mod¹, Maschinentyp, System, Datum / Zeit usw.



Hinweis: Überprüfen Sie alle Einstellungen vor der ersten Verwendung. AC-Frequenz und -Spannung können nur eingestellt werden, nachdem der AC-Ausgang ausgeschaltet wurde. Spannungs- und Frequenzreferenz:
EU/UK: 230V/50Hz AU: 240V/50Hz

Daten

Dieser Abschnitt enthält alle grundlegenden Informationen, einschließlich Produkt, Wechselrichter und Ladegerät, Batterie und Alarmhistorie.



Note: 'Input & Output' gibt den Eingangs- und Ausgangsstatus dieses Geräts an; 'Batterieinformationen' gibt den Verbindungsstatus des/der Batteriepacks/Akkupacks an; 'Alarm History' zeichnet alle generierten Alarme auf, die manuell gelöscht werden können.

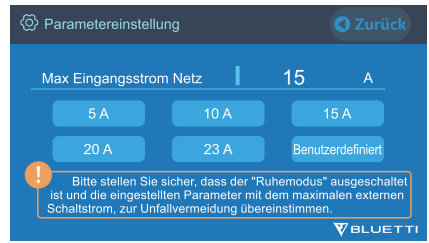
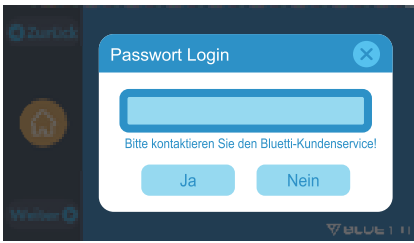
- ¹ In diesem Modus schaltet sich der AC-Ausgang nach 4-stündiger geringer Last (30W) oder ohne Last automatisch aus, um Strom zu sparen.

Aufladung

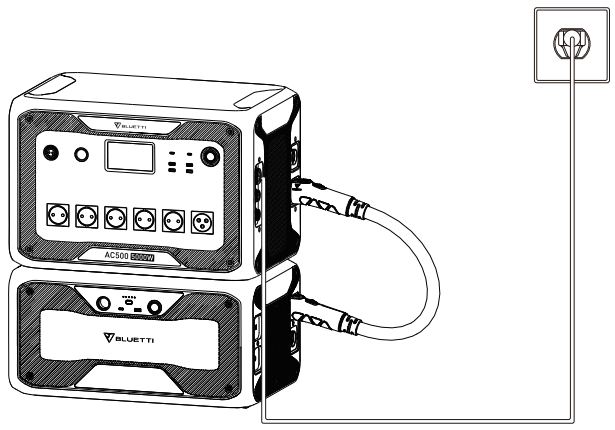
AC-Aufladung

(1) Überprüfen Sie die Spezifikationen Ihrer benutzten Komponenten, wie Netz Ausgangsleistung, Ladekabel usw. vor der Einstellung des maximalen Netz-Eingangstromes.

Hinweis: Der maximal Netz-Eingangstrom ist standardmäßig auf 10A eingestellt und funktioniert nur, wenn die AC500 eine Verbindung zum Netz besitzt. Senden Sie eine E-Mail an den BLUETTI-Kundendienst, um ein Passwort zu erhalten.

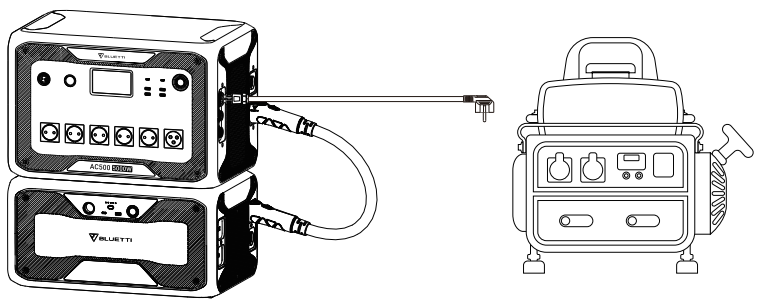


(2) Schließen Sie die AC500 über das Netz-Ladekabel an die Steckdose an.



Laden von Generatoren

Verbinden Sie die AC500 mittels Ladekabel* mit dem Generator.

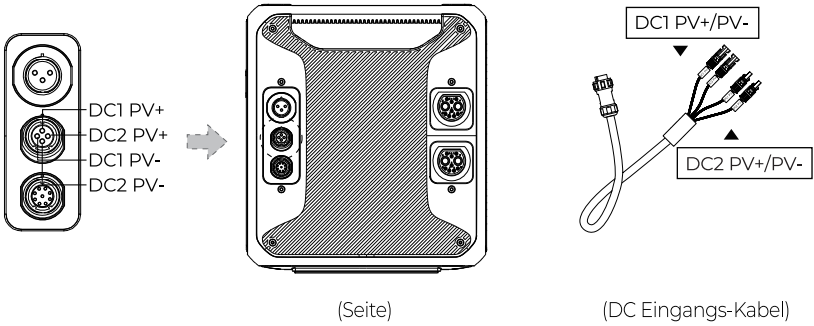


* Separat erhältlich.

Hinweis: BLUETTI empfiehlt einen Inverter-Generator, der mindestens 5000W reine Sinus-Wechselstromleistung liefert.
 Spannungs- und Frequenzgrenze:
 EU / UK: 195,5-253V AC / 47-53Hz AU: 204-264V AC / 47-53Hz

PV-Laden

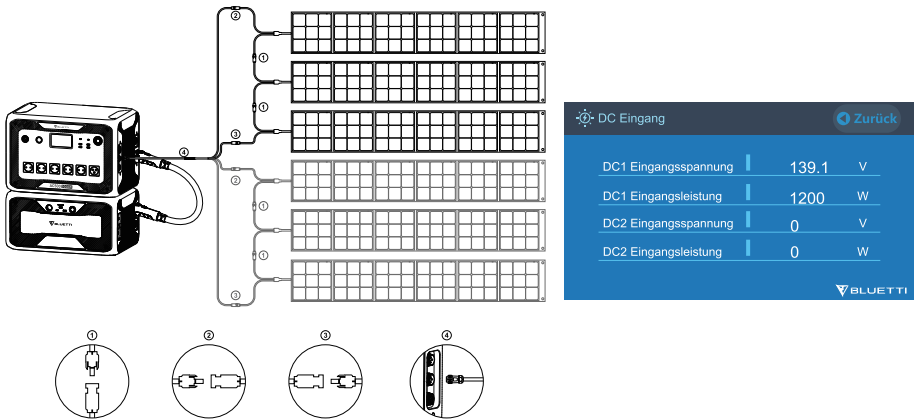
Die AC500 unterstützt zwei PV-Eingänge mit dem DC-Eingangskabel. Schließen Sie das Solarpanel (in Reihe oder parallel) an die AC500 an und überprüfen Sie den PV-Anschluss auf dem LCD-Bildschirm.



Hinweis: Bitte stellen Sie sicher, dass Ihre Sonnenkollektoren an jedem Eingang den folgenden Anforderungen entsprechen:

OCV[Ⓢ]: 12-150V Vmp[Ⓢ]: 12-150V Power: 1500W Max.

Beispiel Schließen Sie drei BLUETTI PV350 Solarmodule in Reihe an DC1 oder DC2 an.
 BLUETTI PV350: Voc=46,5V Vmp=37,5V Strom=9,2A max.
 Total: Voc=46,5x3=139,5V Vmp=37,5x3=112,5V Strom=9,2A max.



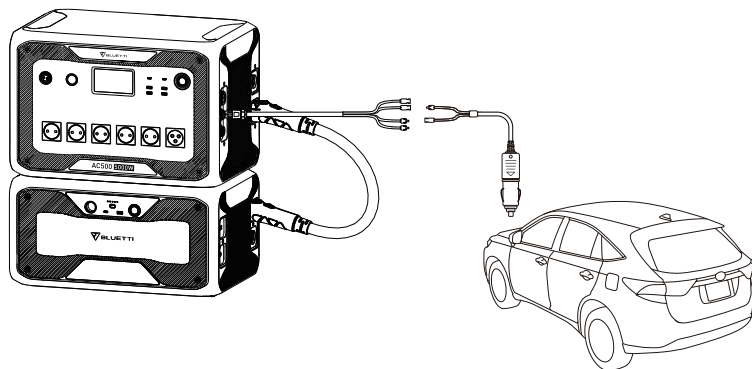
- Ⓢ OCV: Leerlaufspannung, auch für Voe. Die maximale Spannung, die das Solarpanel ohne Last erzeugen kann.
- Ⓢ Vmp: Spannung bei maximaler Leistung. Die Spannung, die verfügbar ist, wenn das Panel seine höchste Leistung hat.

Ein Dachpanel kann auch die AC500 aufladen, wenn die OCV des Panels im Bereich 150-550V liegt. Bitte verwenden Sie dann die D300S, um die Spannung zu senken. Weitere Informationen finden Sie im D300S PV Voltage Step Down Modul Benutzerhandbuch.

Auto-Aufladen

Schließen Sie die AC500 über das DC Eingangskabel und das Autoladekabel an den Zigarettenanzünderanschluss des Fahrzeugs an.

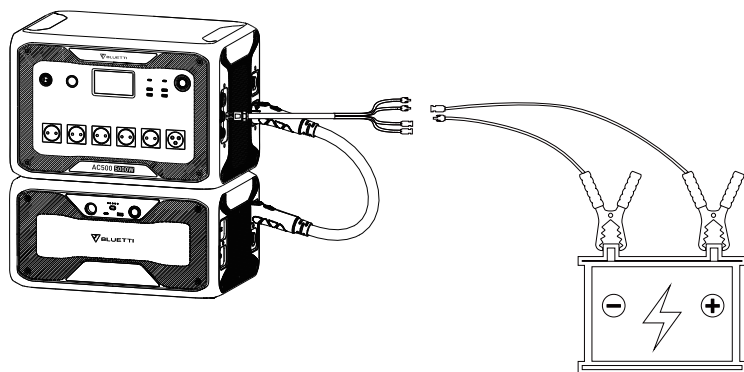
Hinweis: Stellen Sie 'Andere' als DC1/DC2-Eingangsquelle ein, um das Aufladen durch Ihr Fahrzeug zu ermöglichen. Die max. Eingangsstrom ist 8,2A.



Laden von Blei-Säure-Batterien

Verbinden Sie die AC500 über das DC-Eingangskabel und das Ladekabel der Blei-Säure-Batterie mit der Blei-Säure-Batterie.^❶

Hinweis: Stellen Sie 'Andere' als DC1/DC2 Eingangsquelle ein, um das Laden von Blei-Säure-Batterie zu ermöglichen. Klemmen Sie die positive Krokro-Klemme (rot) an den positiven Batterieanschluss und den negativen (schwarz) an den anderen. Der max. Eingangsstrom ist 8.2A.



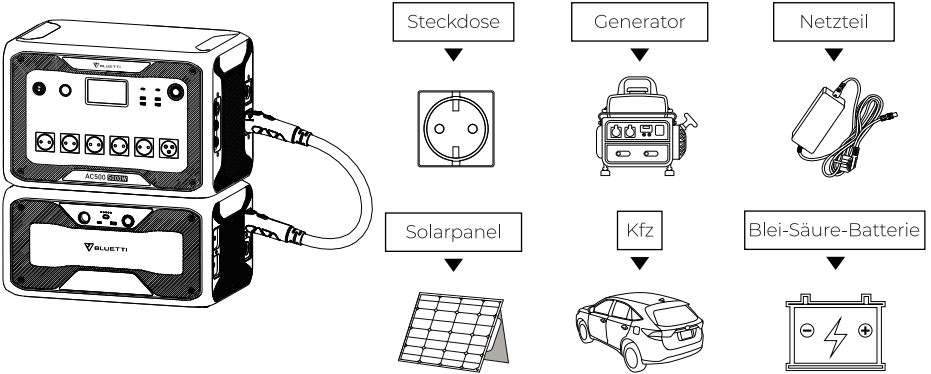
❶ Das Blei-Säure-Ladekabel ist NUR zum Aufladen der AC500 bestimmt.

Duales Laden

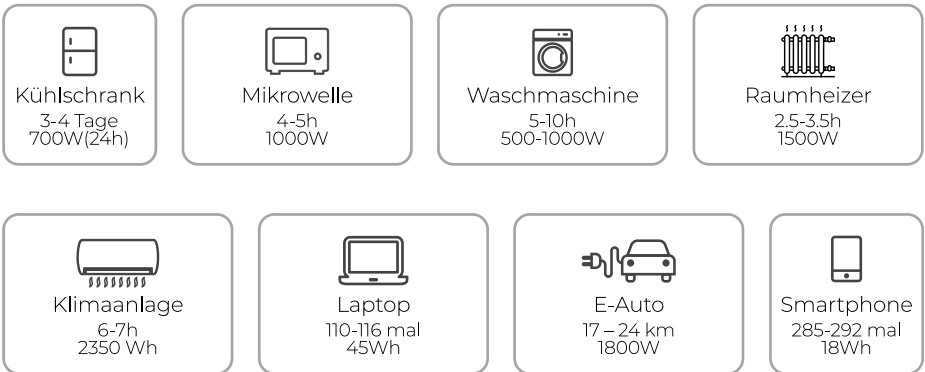
Stellen Sie 'PV' als DC1/DC2-Eingangsquelle ein, um AC/Generator+ PV-Laden zu aktivieren.

Stellen Sie 'Andere' als DC1 / DC2-Eingangsquelle ein, um das Aufladen von AC / Generator + Adapter / Auto / Blei-Säure-Batterie zu aktivieren.

Schalten Sie 'PV Parallel Enable' ein, um eine Hochleistungs-Aufladung (>1500W, <150V) zu ermöglichen.



Entladen



$6744\text{Wh}^* \times \text{DoD} \times \eta / (\text{Ladeleistung}) = \text{Ladezeit (geschätzt)}$

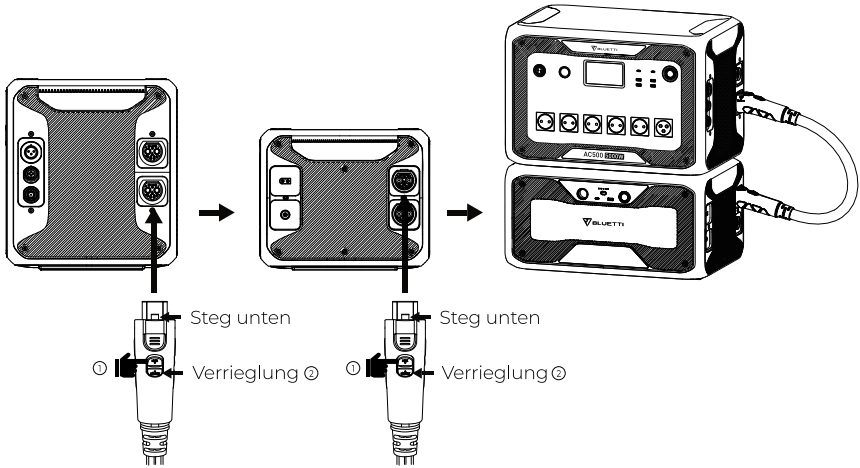
* Nehmen Sie die AC500+2 x B300S-Kombination als Beispiel

Hinweis: DoD bezieht sich auf die Entladungstiefe, η ist der Wirkungsgrad des Wechselrichters.
DoD=95%, η =90%.

Die DoD kann je nach Umgebungstemperatur und Entladerate variieren.
Ladeleistung und Ladezeit werden in Watt und Stunde gemessen.

Kapazitätserweiterung

Die AC500 unterstützt bis zu 6 Erweiterungsbatterien mit einer Gesamtkapazität von 18.432 Wh. Verbinden Sie die AC500 über das P150D-Batterieerweiterungskabel mit dem B300S oder über das 'P150D auf P090D-Kabel' mit dem B300. Weitere Informationen finden Sie im B300S- oder B300-Benutzerhandbuch.



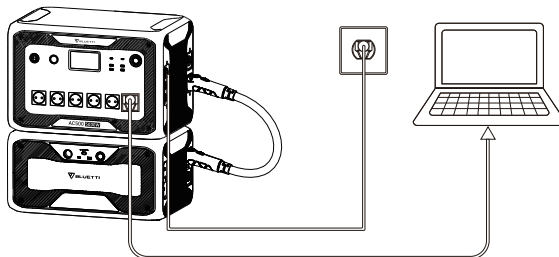
Hinweis: Wenn nur ein B300S angeschlossen ist, liefert die Combo eine maximale Leistung von 4500 W. Um eine 5000W-Leistung zu erhalten, schließen Sie bitte mindestens einen Erweiterungsakku an jeden Erweiterungsanschluss an.

USV (unterbrechungsfreie Stromversorgung)

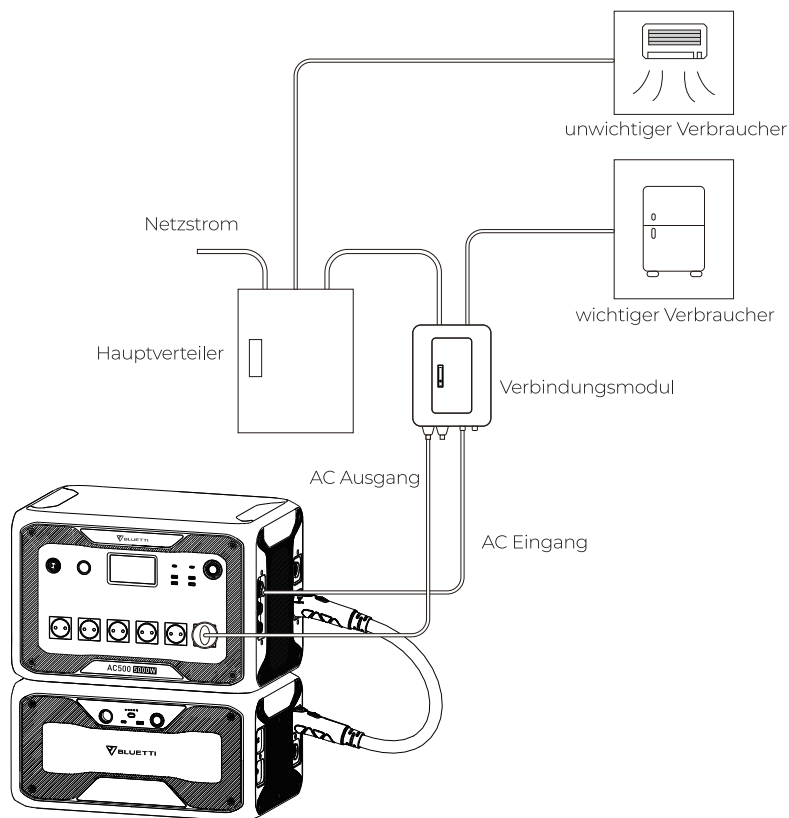
Schließen Sie die ACS00 + 8300S Kombination an eine Standard-Steckdose an oder binden Sie sie an Ihr Netz. Wenn das Netz ausfällt, tritt die Kombination ein und liefert den Strom für die angeschlossenen Geräte. Online-USV ist eine USV, die den Wechselstrom über eine Gleichspannung und Wechselrichter-Kombinationsschaltung sowohl bei Stromverfügbarkeit als auch bei Stromausfall liefert.

Eine Offline-USV versorgt die Last bei Stromverfügbarkeit direkt mit dem Stromnetz und versorgt die Last bei Stromausfall über eine Backup-Batterie mit Strom.

Plug-in-USV :



Netzgebundene USV:



* Die netzgekoppelte USV sollte von einem qualifizierten Elektriker installiert werden. Bitte kontaktieren Sie den BLUETTI Kundenservice für Details.

Die AC500 verfügt über 4 USV-Modi: Standard, Zeitsteuerung, PV-Priorität und kundenspezifische USV. Die einzelnen Modi verstehen sich wie folgt:

1. Der Standard-USV-Modus eignet sich gut für Regionen mit instabiler Netzstromversorgung.
2. Der Time Control-USV-Modus spart Stromkosten, indem er die Lade- und Entladezeit regelt und Sie so günstige Zeittarife nutzen können.
3. Der PV Priority USV-Modus ist besser für Regionen mit vielem, ganzjährigem Sonnenlicht geeignet.
4. Mit dem benutzerdefinierten USV-Modus können Sie Ihr eigenes angepasstes Stromversorgungssystem erstellen.

Detaillierte Anweisungen hierzu finden Sie auch im **BLUETTI-Support** auf **YouTube**.

BLUETTI APP

Laden Sie die App aus dem App Store oder von Google Play herunter und folgen Sie den BLUETTI APP Anweisungen, um die AC500 + B300S-Kombination einfacher zu steuern und zu überwachen.



Power-Lifting-Modus

Dieser Modus kann in der BLUETTI App aktiviert werden. In diesem Modus kann die Kombination rein resistive Lasten mit hohem Stromfluss^⑤ ($\leq 6000\text{ W}$) betreiben, während die Nennausgangsleistung bei 5000W bleibt.

Hinweis: Stellen Sie sicher, dass die Kombination vom Netz getrennt ist und der B300S nicht überlastet wird.

Die AC500 erkennt den Widerstand von Geräten und passt die Ausgangsspannung automatisch an. Der Modus schlägt fehl, wenn die AC500 unter 70% ihrer Nennspannung fällt.

- ⑤ Einschließlich Heizungen, Bügeleisen oder andere Geräte, die nur aus Heizelementen bestehen.

Anhang

FAQs (Häufig gestellte Fragen)

F: Kann ich Solarmodule von Drittanbietern verwenden, um dieses Produkt aufzuladen?

A: Ja, das können Sie. Solange die Spezifikationen der von Ihnen verwendeten Solarmodule in den folgenden Bereich fallen:

OCV: 12-150V

Vmp: 12-150V

Eingangsleistung: 1500W max.

Identische Verbindungsstecker (MC4)

Mischen Sie NICHT verschiedene Arten von Sonnenkollektoren.

F: Warum wird das Gerät nicht aufgeladen, wenn die Sonnenkollektoren angeschlossen sind?

A: Bitte befolgen Sie die folgenden Schritte:

- 1) Drücken Sie 'PV' auf dem LCD-Bildschirm, um zu überprüfen, ob die Solarmodule erfolgreich angeschlossen sind.
- 2) Überprüfen Sie den Anschluss der Sonnenkollektoren und dem PV-Eingangskabel. Wenn das Symptom anhält, wenden Sie sich bitte an den BLUETTI-Kundendienst.

F: Wie lange ist die Reaktionszeit der USV?

A: 20 ms

F: Wie aktualisiere ich die Firmware?

A: Verbinden Sie das Gerät mit der BLUETTI App. Anschließend können Sie die Firmware einschließlich ARM, DSP, HMI und BMS online (OTA) aktualisieren.

Technischer Support

Sollten Sie weitere Hilfe benötigen, so zögern Sie bitte nicht, sich an den BLUETTI-Kundendienst zu wenden.

Für weitere Informationen, besuchen Sie bitte:



@ BLUETTI Support

@ BLUETTI Official



@bluetti_official



@ bluetti.inc



@ bluetti_Linc



sale-eu@bluettipower.com

sale-uk@bluettipower.com

SHENZHEN POWEROAK NEWENER CO., LTD.

Add: F19, BLD No.1, Kaidaer, Tongsha Rd No.168, Xili Street,
Nanshan, Shenzhen, China

Kundendienstanschrift EU: Lise-Meitner-Straße 14, 28816 Stuhr, Deutschland

Kundendienstanschrift UK: Unit 2 Northgate, Bolsover Busines Park,
Woodhouse Line, Chesterfield England S44 6BD

EU **REP**

Company: POWEROAK GmbH

Address: Lise-Meitner-Str. 14 28816 Stuhr Germany

Mail: logi@bluetti.de

UK **REP**

Company: POWEROAK ENERGY UK CO.,LTD

Address: Unit 2 NorthGate, Bolsover Business Park,
Woodhouse Lane Chesterfield England, S44 6BD

Mail:poweroak.eu@bluetti.com



P/N:17.0303.0506-01A1



Just Power On