

MICROWAVE

MODEL# COS-3019ORM2SS

SPECIFICATIONS

FEATURES



OVER THE VENT INSTALLATION

1000 WATTS OF COOKING POWER

10 POWER LEVELS

400 CFM

VENT FAN TO REMOVE ODOR, SMOKE,
MOISTURE

PRESETS: POPCORN, POTATO, VEGGIES

SENSOR COOK AND REHEAT

+30 SECOND SPEED COOK BUTTON

TOUCH CONTROLS WITH DIGITAL DISPLAY

Save space in your kitchen with Cosmo's COS-3016ORMISS 1.9 cu. ft. Over-the-Range Microwave. A powerful fan ventilates steam and smoke from your cooktop, while the 1000 watts of cooking power in the microwave let you pre-prepare dishes quickly and easily.

SEE PAGE 2 FOR DIMENSIONS



Size	30 Inch
Type	Full Size
Install Type	Over-the-Range
Capacity	1.9 cu. ft.
Turntable Size	13.6 Inch
Power Levels	10
Finish	Stainless Steel

Weight	57.3 lbs.
Voltage	120V / 60Hz
Wattage	1000W
Certification	UL Listed
Included Components	Glass Tray, Turntable Ring, Shelf, Exhaust Adapter, Grease Filters, Install Kit, Install & User Manuals

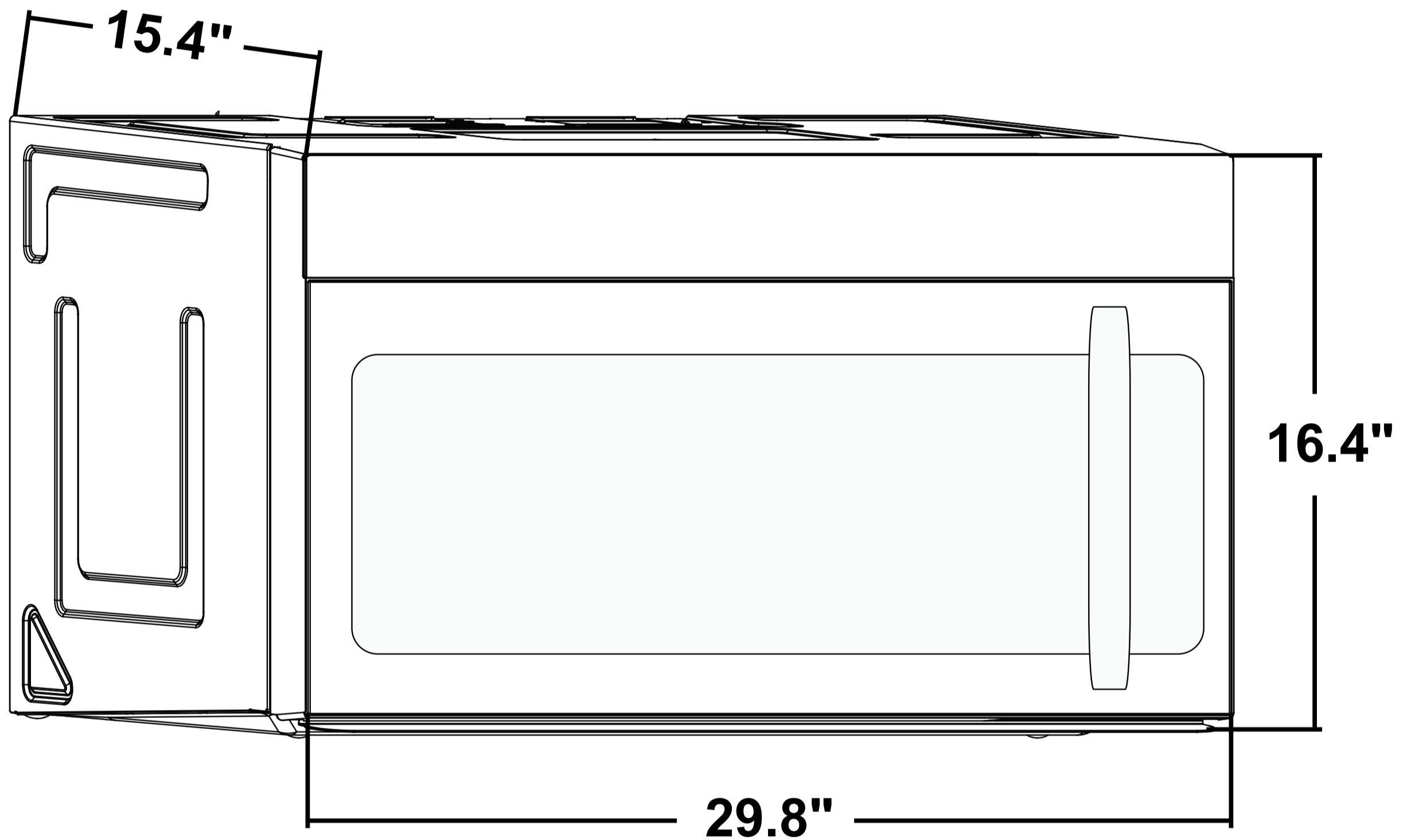
FOR MORE INFORMATION, PLEASE VISIT: WWW.COSMOAPPLIANCES.COM



MICROWAVE

DIMENSIONS

MODEL# COS-3019ORM2SS



Weight: 57.3 lbs.