

MICROWAVE

SPECIFICATIONS

MODEL# COS-3016ORM1SS

FEATURES



OVER THE VENT INSTALLATION

1000 WATTS OF COOKING POWER

10 POWER LEVELS

VENT FAN TO REMOVE ODOR, SMOKE AND MOISTURE

SMART SENSOR COOKING PRESETS: PIZZA, POTATO, REHEAT AND MORE

+30 SECOND SPEED COOK BUTTON

TOUCH CONTROLS WITH DIGITAL DISPLAY

Cosmo's COS-3016ORM1SS Over-the-Range Microwave will maximize your kitchen space with the included Vent Fan equipped to clear the air as a range hood. 1000 Watts of cooking power allow you to cook your favorite foods quickly and thoroughly.

SEE PAGE 2 FOR DIMENSIONS



Size	30 Inch
Type	Full Size
Install Type	Over-the-Range
Capacity	1.6 cu. ft.
Turntable Size	13.5 Inch
Power Levels	10
Finish	Black Glass

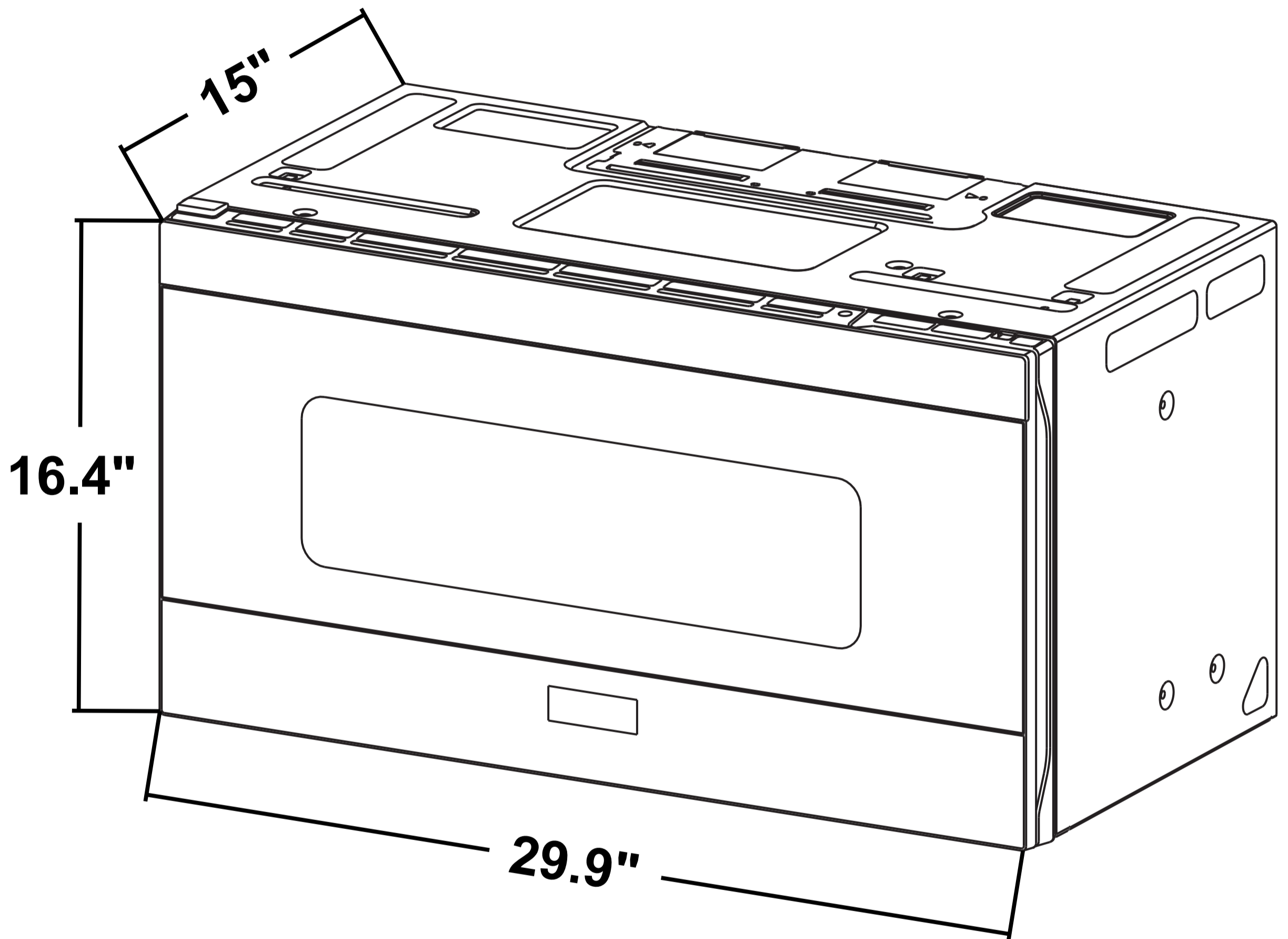
Weight	56 lbs.
Voltage	120V / 60Hz
Wattage	1000W
Certification	UL Listed
Included Components	Glass Tray, Turntable Ring, Exhaust Adapter, Grease Filters, Install Kit, Install & User Manuals



MICROWAVE

DIMENSIONS

MODEL# COS-3016ORM1SS



Interior Dimensions (WxDxH): 20.24" x 14.41" x 9.25"

Weight: 56 lbs.