



INSPIRING THE WORLD'S KITCHEN



OVER THE RANGE MICROWAVE

COS-30160RM1SS

INSTALLATION GUIDE

IMPORTANT SAFETY INSTRUCTIONS

Carefully read the following Important information regarding installation safety and maintenance. Keep these instruction for future reference.

COS-30160RM1SS

INSTALL GUIDE

THANK YOU FOR YOUR PURCHASE

Thank you for your purchase. We know that you have many brands and products to choose from and we are honored to know that you have decided to take one of our products into your home and hope that you enjoy it.

COSMO appliances are designed according to the strictest safety and performance standard for the North American market. We follow the most advanced manufacturing philosophy. Each appliance leaves the factory after thorough quality inspection and testing. Our distributors and our service partners are ready to answer any questions you may have regarding how to install, use and care for your products. We hope that this manual will help you learn to use the product in the safest and most effective manner .

If you have any questions or concerns, please contact the dealer from whom you purchased it, or contact our Customer Support at:

1-888-784-3108.

Specifications

Model	COS-3016ORMISS
Rated voltage	120V / 60 Hz
Rated input power	1550W
Rated output power	1000W
Microwave capacity	1.6 cu. ft.
Turntable diameter	13.5 in. (34.5 cm)
External dimensions (WxDxH)	29.9 x 15 x 16.4 in. (75.9 x 38.2 x 41.7 cm)
Internal dimensions (WxDxH)	20.24 x 14.41 x 9.25 (51.4 x 36.6 x 23.5 cm)
Certifications	UL approved
Power cord length	3.3 ft. (1 m)
Net weight	56 lbs. (25.4 kg)

Contents

Introduction	4
BEFORE YOU BEGIN	4
IMPORTANT SAFETY INSTRUCTIONS	4
ELECTRICAL REQUIREMENTS	4
Package contents	5
Parts	5
Hardware	5
Before you install	6
Tools and materials needed	6
Mounting requirements	7
Exhaust requirements	8
Removing your microwave	10
Installing your microwave	11
Step 1: Find the wall studs	11
Step 2: Align the rear wall template	12
Step 3: Select a ventilation type	14
Step 4: Option A - Attach the mounting plate to the wall	15
Step 5: Option A - Preparing the top cabinet	17
Step 6: Option A - Adapt the microwave blower for outside top exhaust	19
Step 7: Option A - Mount the microwave	21
Step 8: Option A - Connecting duct work	23
Step 4: Option B - Cutting a vent opening	24
Step 5: Option B - Attach the mounting plate to the wall	25
Step 6: Option B - Preparing the top cabinet	27
Step 7: Option B - Adapt the microwave blower for outside back exhaust	29
Step 8: Option B - Mount the microwave	32
Step 4: Option C - Attach the mounting plate to the wall	34
Step 5: Option C - Preparing the top cabinet	36
Step 6: Option C - Mount the microwave	38
Before using your microwave	40
Obtaining replacement parts	40
Specifications	40
Template dimensions	41
Rear wall template dimensions	41
Top cabinet template dimensions	42
Legal notices	43
TWO-YEAR LIMITED WARRANTY	43

Introduction

Congratulations on your purchase of a high-quality product. Your represents the state of the art in microwave design and is designed for reliable and trouble-free performance.

This installation guide will show you how to install your new over-the-range microwave.

BEFORE YOU BEGIN

Read these instructions completely and carefully.

- **IMPORTANT** – Save these instructions for local inspector's use.
- **IMPORTANT** – Observe all governing codes and ordinances.
- **Note to Installer** – Be sure to leave these instructions with the consumer.
- **Note to Consumer** – Keep these instructions for future reference.
- **Skill level** – Installation of this appliance requires basic mechanical and electrical skills.
- Proper installation is the responsibility of the installer.
- Product failure due to improper installation is not covered under the Warranty.

IMPORTANT SAFETY INSTRUCTIONS

IMPORTANT—PLEASE READ CAREFULLY. FOR PERSONAL SAFETY, THIS APPLIANCE MUST BE PROPERLY GROUNDED TO AVOID SEVERE OR FATAL SHOCK.

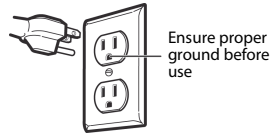
This product requires a three-prong, properly grounded outlet for safe operation. If not properly grounded, or if the outlet box does not meet electrical requirements noted (under ELECTRICAL REQUIREMENTS), a qualified electrician should be employed to correct any deficiencies.

The power cord of this appliance is equipped with a three-prong (grounding) plug which mates with a standard three-prong (grounding) wall receptacle to minimize the possibility of electric shock hazard from this appliance.

You should have the wall receptacle and circuit checked by a qualified electrician to make sure that the receptacle is properly grounded.

Where a standard two-prong wall receptacle is encountered, it is very important to have it replaced with a properly grounded three-prong wall receptacle installed by a qualified electrician.

DO NOT, UNDER ANY CIRCUMSTANCES, CUT, DEFORM, OR REMOVE ANY OF THE PRONGS FROM THE POWER CORD. DO NOT USE WITH AN EXTENSION CORD.



Note

For easier installation and personal safety, it is recommended that two people install this product.

Caution

For personal safety, remove the house fuse or open the circuit breaker before beginning installation to avoid severe or fatal shock injury.

For personal safety, the mounting surface must be capable of supporting the cabinet load, in addition to the added weight of this 56-lb. (25.4 kg) product, plus additional oven loads of up to 50 pounds (22 kilograms) for a total weight of 106 lbs. (46.4 kg).

For personal safety, this product cannot be installed in cabinet arrangements such as an island or a peninsula. It must be mounted to BOTH a top cabinet AND a wall.



ELECTRICAL REQUIREMENTS





The product rating of your microwave is 120 volts AC, 60 Hertz, 15 amps, and 1.6 kilowatts. This product must be connected to a supply circuit of the proper voltage and frequency. Wire size must conform to the requirements of the National Electrical Code or the prevailing local code for this kilowatt rating. The power supply cord and plug should be brought to a separate 20 ampere branch circuit single grounded outlet. The outlet box should be located in the cabinet above the microwave oven. The outlet box and supply circuit should be installed by a qualified electrician and conform to the National Electrical Code or the prevailing local code.

DAMAGE—SHIPMENT/ INSTALLATION

- **If the unit is damaged in shipment**, return the unit to the store in which it was bought for repair or replacement.
- **If the unit is damaged by the customer**, repair or replacement is the responsibility of the customer.
- **If the unit is damaged by the installer** (if other than the customer), repair or replacement must be made by arrangement between customer and installer.

PARTS INCLUDED



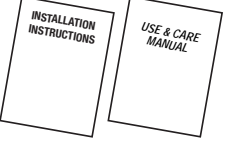

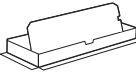


HARDWARE PACKET

PART		QUANTITY
	Wood Screws (1/4" x 2")	2
	Toggle Bolts (and wing nuts) (3/16" x 3")	2
	Self-Aligning Machine Screws (1/4"-28 x 3 1/4")	3
	Nylon Grommet (for metal cabinets)	1

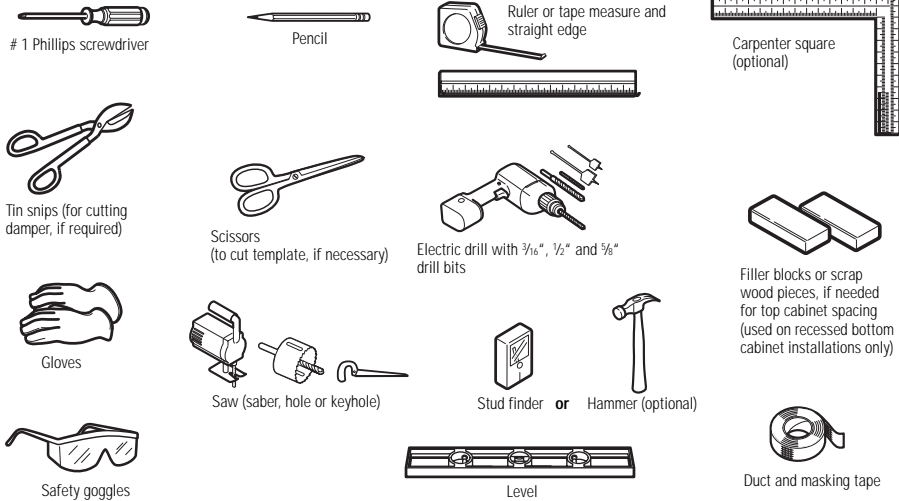
You will find the installation hardware contained in a packet with the unit. Check to make sure you have all these parts.

NOTE: Some extra parts are included.

PARTS INCLUDED (CONT.) ADDITIONAL PARTS

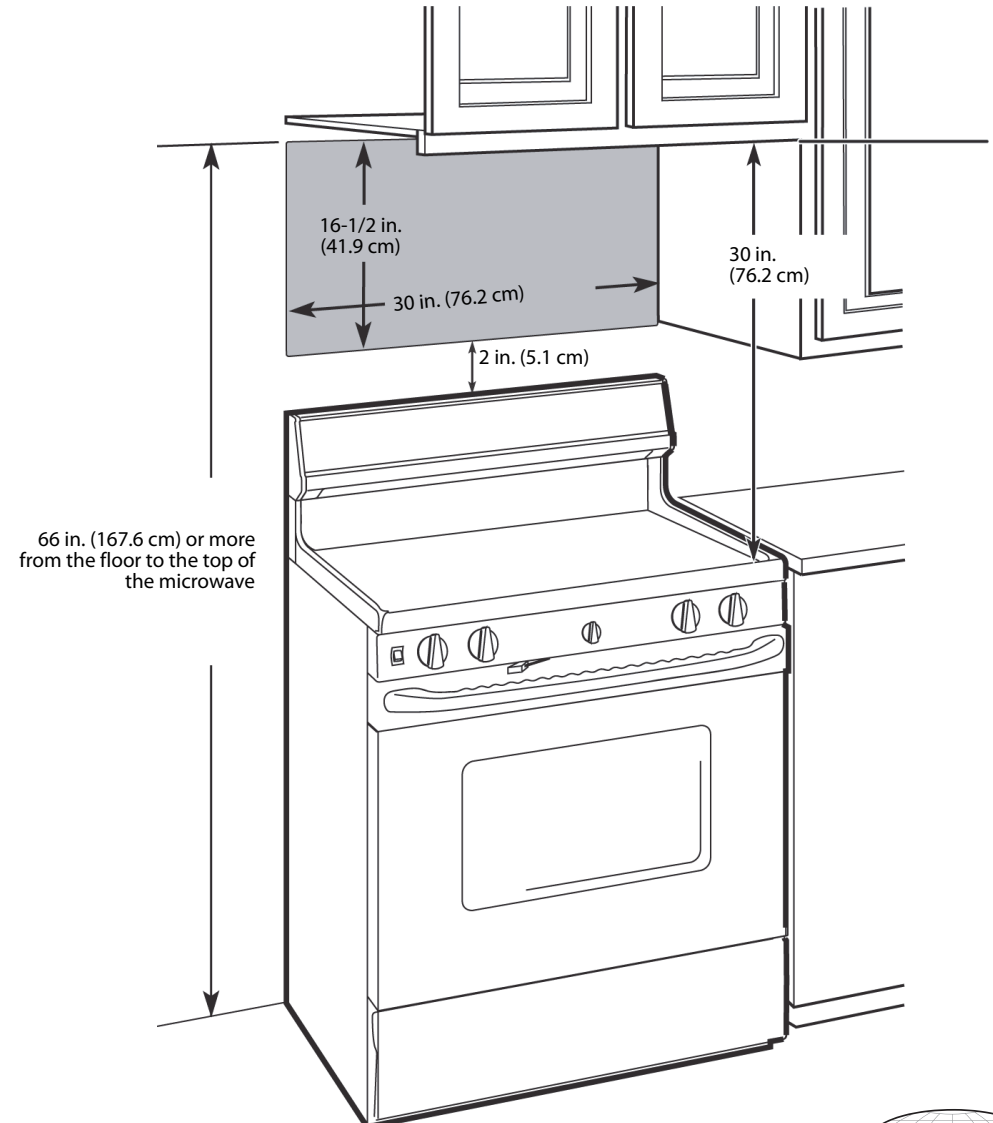
PART		QUANTITY
	Top Cabinet Template	1
	Rear Wall Template	1
	Installation Instructions	1
	Use & Care Manual	1
	Separately Packed Grease Filters	2
	Exhaust adaptor	1
	Glass Tray	1
	Turntable Ring	1

TOOLS YOU WILL NEED



Mounting requirements

- The space between the cabinets must be 30 in. (76.2 cm) wide. If the space between the cabinets is more than 30 in. (76.2 cm), you'll need filler material to fill the gap between the microwave and cabinets.
- This microwave is for installation over ranges up to 36 in. (91.4 cm) wide.
- If installing the microwave beneath smooth, flat cabinets, make sure that you leave enough space for the power cord clearance.
- If you are going to vent your exhaust to the outside, see "Exhaust requirements" on page 8 for exhaust duct preparation.



Exhaust requirements

Use this section if you plan to vent your microwave outside (top or back exhaust). If you plan to recirculate the air back into the room, skip to "Removing your microwave" on page 9.

When installing exhaust vents:

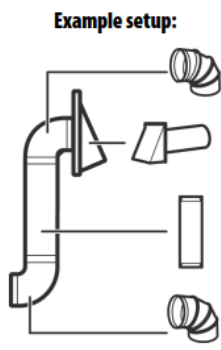
- Use the most direct route with as few elbows/transitions as possible. This helps prevent blockages and ensures that the exhaust is being vented correctly.
- Your microwave is designed to mate with a standard 3-1/4" x 10" rectangular duct. If a round duct is required, a rectangular-to-round transition adapter must be used. Do not use a duct with a diameter less than 6".




Note

If a rectangular-to-round transition adapter is used, you must cut the bottom corners of the damper with tin snips to let the damper have free movement.

- Elbows, transitions, and wall/roof caps add resistance to airflow. Each of these pieces are equivalent to a section of straight duct that is longer than their actual physical size. When calculating your duct length, add the equivalent lengths of all the pieces together. For proper airflow, the equivalent airflow should not exceed 120 ft. For example:

Example setup:



Duct Pieces	Equivalent Length	×	Number Used	=	Total Equivalent Length
 Roof cap	40 ft.	×	(1)	=	40 ft.
 90° elbow	10 ft.	×	(2)	=	20 ft.
 Straight duct 6" round OR 3-1/4" x 10" rectangular	3 ft.	×	(1)	=	3 ft.
Total ductwork =					63 ft.

For proper airflow, this number should not exceed 120 ft.

Use the "Equivalent duct length table" on page 9 to calculate the equivalent duct-work length for your setup.









Note

Equivalent lengths of duct pieces are based on actual tests and reflect requirements for good venting performance with any vent hood.

Equivalent duct length table

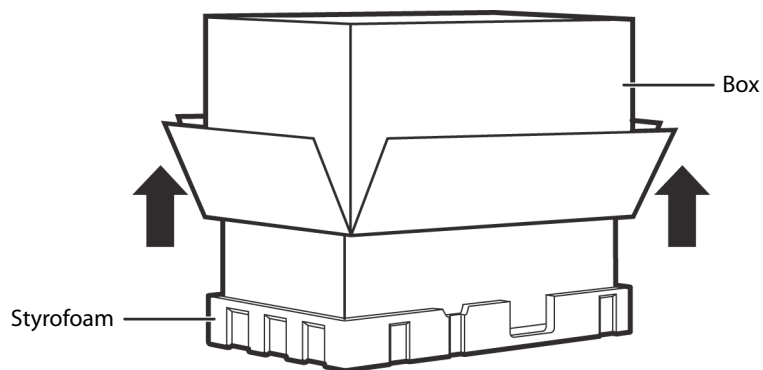
To calculate your equivalent duct length:

- 1 Write the number of sections used for each of the duct pieces.
- 2 Multiply the number used by the equivalent length for each duct piece.
- 3 Add the total equivalent lengths together. This number must be less than 120 ft.

Duct Pieces	Equivalent Length	×	Number Used	=	Total Equivalent Length
 Rectangular-to-round transition adapter	5 ft.	×	()	=	ft.
 Wall cap	40 ft.	×	()	=	ft.
 90° elbow	10 ft.	×	()	=	ft.
 45° elbow	5 ft.	×	()	=	ft.
 90° elbow	25 ft.	×	()	=	ft.
 45° elbow	5 ft.	×	()	=	ft.
 Roof cap	24 ft.	×	()	=	ft.
 Straight duct 6" round OR 3-1/4" x 10" rectangular	1 ft.	×	()	=	ft.
Total ductwork =					ft. (For proper airflow, this number should not exceed 120 ft.)

Removing your microwave

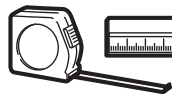
- 1 Remove the documentation, filters, glass tray, and hardware bag from the box. Do not remove the Styrofoam protecting the front of your microwave.
- 2 Fold back all four box flaps, then carefully roll the microwave and box over onto the top side. The microwave should be resting in the Styrofoam.
- 3 Pull the box up and off the microwave.
- 4 Remove and throw away the plastic bags.



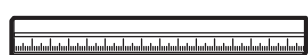
You'll need:



Edge-to-edge stud finder



Ruler or tape measure



Pencil

Installing your microwave

Step 1: Find the wall studs

Warning

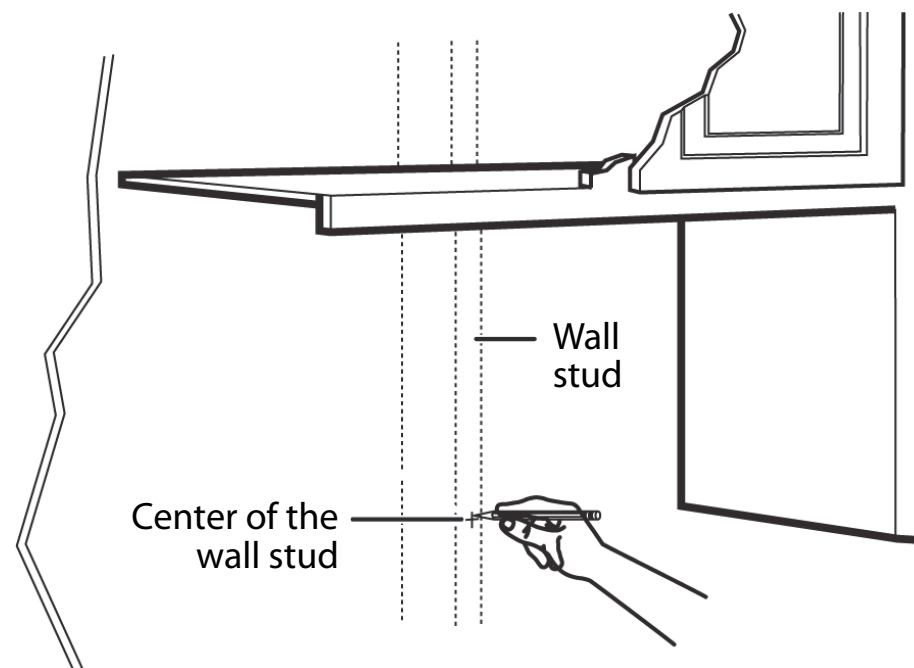
Your microwave must be connected to at least one wall stud.

- 1 Using an edge-to-edge stud finder, locate the edges of the wall stud(s) within the opening.

Warning

The center of any adjacent wall studs should be 16" or 24" from this mark.

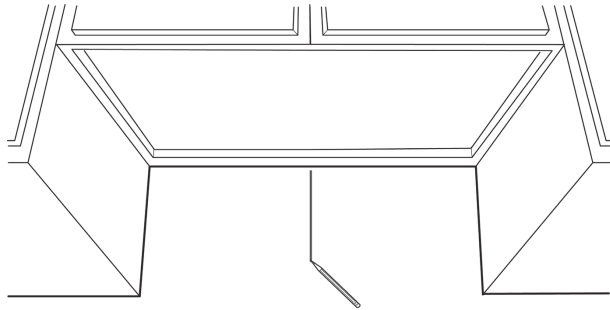
- 2 Mark the center of each stud, and then draw a vertical line down the center of each stud.



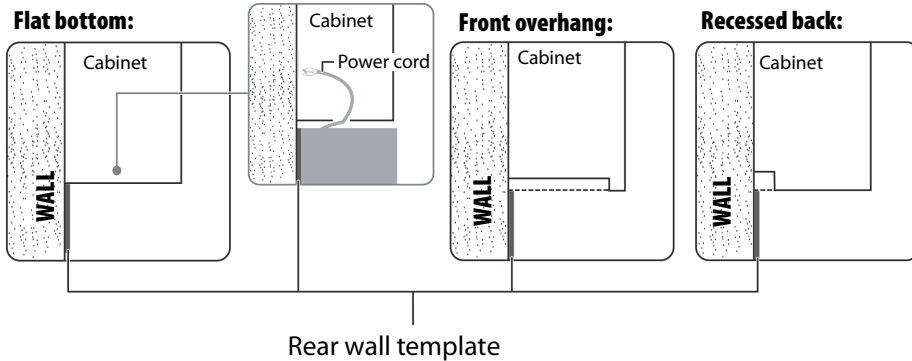
Step 2: Align the rear wall template

NOTE: If the rear wall template is damaged or unusable, see "Rear wall template dimensions" on page 40 for dimensions.

- 1 Use a level to make sure that the bottom of the cabinet is level.
- 2 Draw a vertical line down the center of the wall in the mounting space. This is where the center of your template will be.



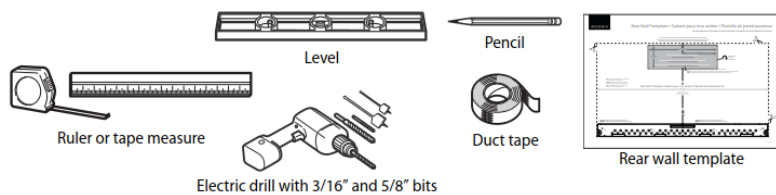
- 3 Draw a horizontal line at the height of the front of your cabinet. This is where the top of your template will be. If the bottom of your cabinet is flat, make sure that you leave space for the power cord.



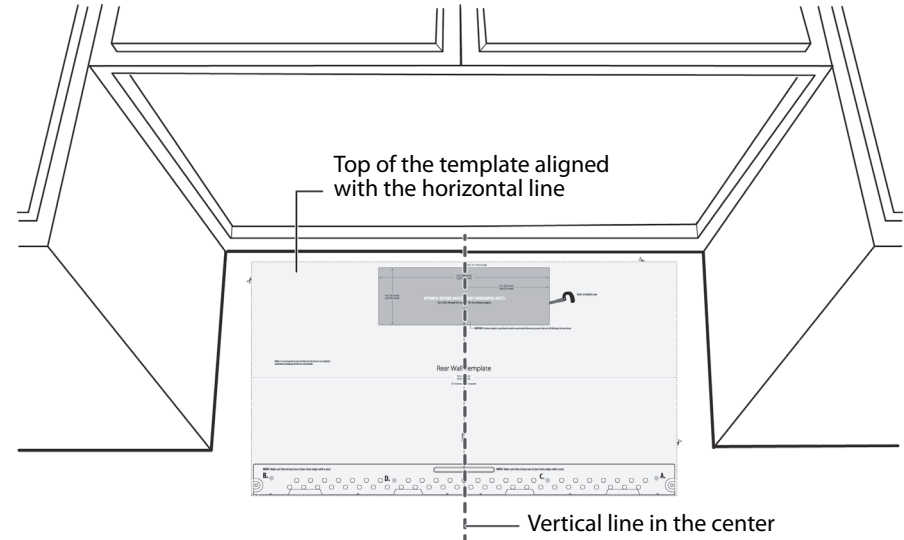
Notes

- If installing the microwave beneath smooth, flat cabinets, make sure that you leave enough space for the power cord clearance.
- If cabinets have decorative trim that interferes with the microwave installation, remove the trim to install the microwave properly and to make sure that it is level.

- 4 Trim the rear wall template along the dotted line.



- 5 Tape the template in place so that it is centered on the vertical line and the top edge is aligned with the horizontal line.

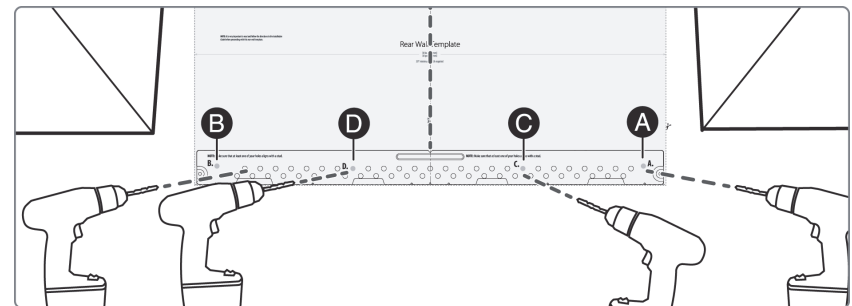


- 6 Find a hole that aligns with a stud (this is C or D).

CAUTION

You must mount to at least one stud.

- 7 Drill holes through the template at points A, B, and C or D. If the hole lines up with a stud, drill a 3/16" hole. Otherwise, drill a 5/8" hole for the toggle bolts. You must use at least three holes for mounting.



Note: Depending on your stud locations, your installation may look different. You should mount to at least one stud.

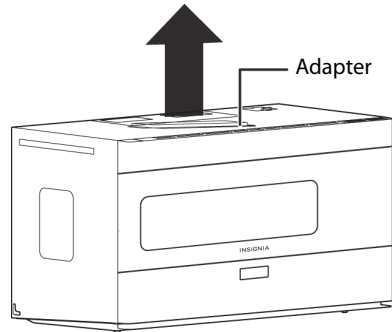
Step 3: Select a ventilation type

This microwave is designed for three types of ventilation. Select the type of ventilation you want to use, then go to the corresponding page.

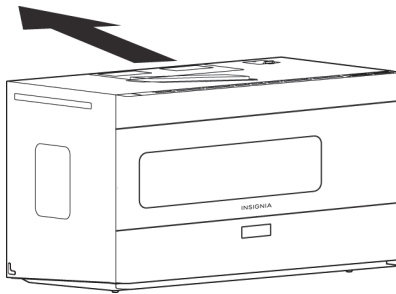
Note

This microwave is shipped assembled for recirculating ventilation.

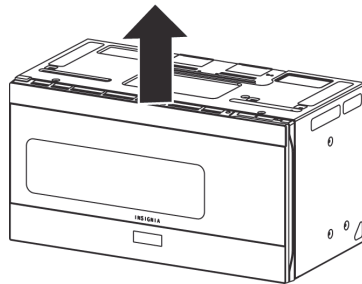
Option A - Outside top exhaust (vertical duct): See page 14



Option B - Outside back exhaust (horizontal duct): See page 23



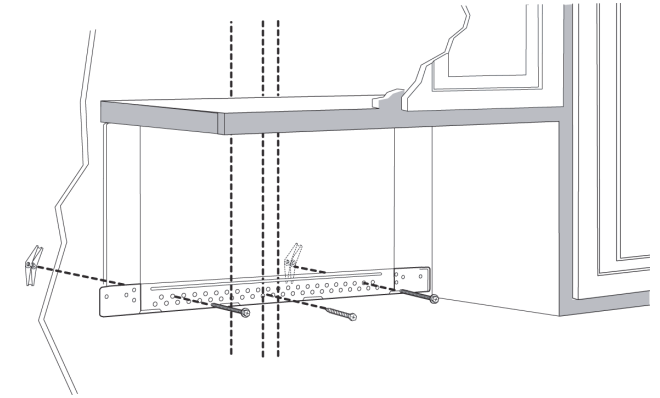
Option C - Recirculating (non-vented/ductless): See page 33



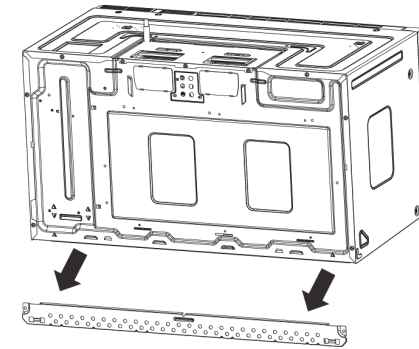
*Requires a charcoal filter (included)

Step 4: Option A - Attach the mounting plate to the wall

Note: Depending on your stud locations, your installation may look different. You should insert toggle bolts into drywall and wood screws into studs.



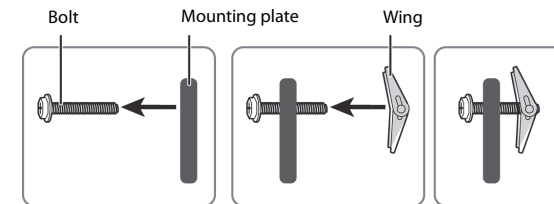
- 1 Remove the rear wall template.
- 2 Remove the mounting plate from the back of your microwave using a Phillips screwdriver.



- 3 Insert the toggle bolt(s) through the front of the mounting plate into the hole(s) that are not going into a stud, and then attach the toggle wings $\frac{3}{4}$ " onto each bolt. Hold your mounting plate up to holes in your wall to identify the correct position.

Note

The top of the mounting plate is indicated with an arrow. The mounting plate's hooks are on the front.

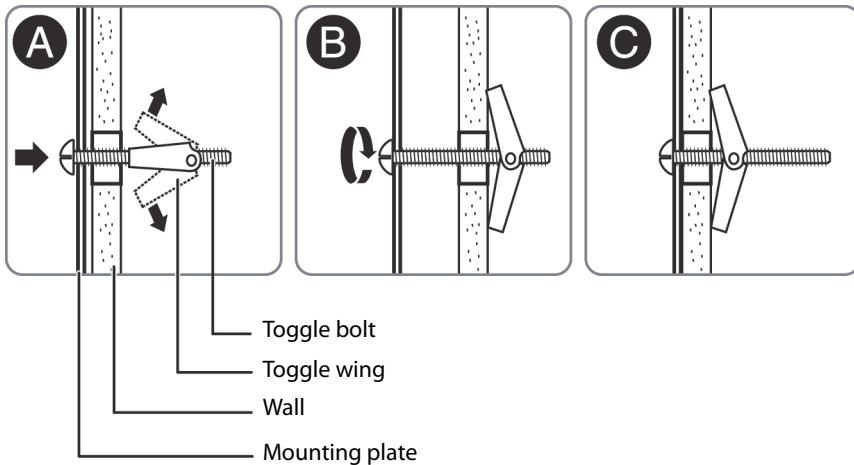


- 4 Place the mounting plate against the wall and insert the toggle wings into the holes you drilled in the drywall. Pull the mounting plate away from the wall to help tighten the toggle wings.

- 5 Insert wood screw(s) through the mounting plate and into the hole(s) drilled in the stud(s), then tighten both the wood screw(s) and toggle bolt(s) with a Phillips screwdriver to mount the plate. Make sure that the plate is centered before tightening fully.

Caution

Be careful to avoid pinching your fingers between the back of the mounting plate and the wall.



You'll need:



Step 5: Option A - Preparing the top cabinet

Notes

If the top cabinet template is damaged or unusable, see "Top cabinet template dimensions" on page 41 for dimensions.

You need to drill holes for the top support screws, a hole large enough for the power cord to fit through, and a cutout large enough for the exhaust adapter.

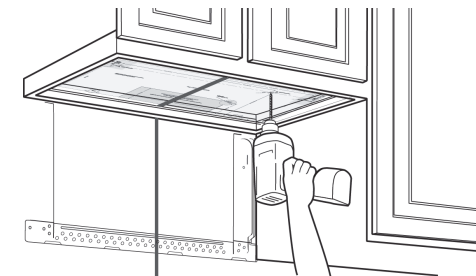
- 1 Turn off the power to the outlet in the cabinet.
- 2 Remove everything from the cabinet.
- 3 Trim the *Top Cabinet Template* along the dotted line.
- 4 If the bottom of your cabinet is recessed and the template is too large, trim the edges to fit. Your template should fit snugly inside the space with no overhang.

Note

- Make sure that you keep the left and right sides even. For example, if you need to trim the sides by 1", cut 1/2" from the left side and 1/2" from the right side.
- Some cabinets have a small bracket or glue block between the overhang and the underside of the cabinet bottom. Cut the template to fit around these so it lies flat on the bottom of the cabinet.

- 5 To position the *Top Cabinet Template*:

- Align the center line on the template with the center line that you drew on the wall.
- Align the back edge of the template to the rear wall (smooth or flat bottom cabinets) or to the back of the recess (recessed cabinets) to make sure that the holes cut into the upper cabinet align with the holes in the top of the microwave.



Center line

CAUTION

Wear safety goggles when drilling holes in the cabinet bottom.

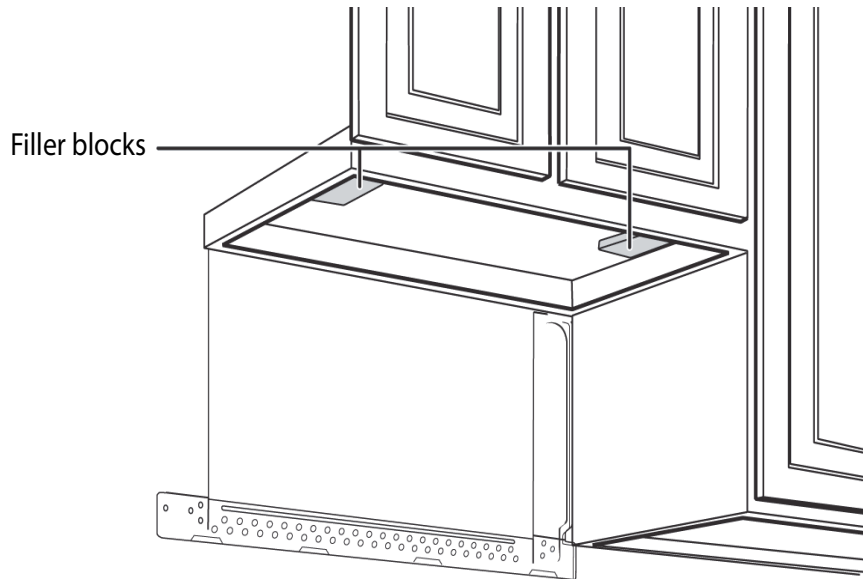
- 6 Tape the template to the bottom of the cabinet.
- 7 Drill 1/2" holes through the template at points **A**, **B**, and **C**.

8 Cut a 2" diameter hole at point **D** for the power cord.

9 Cut out the shaded area **G** through the cabinet bottom.

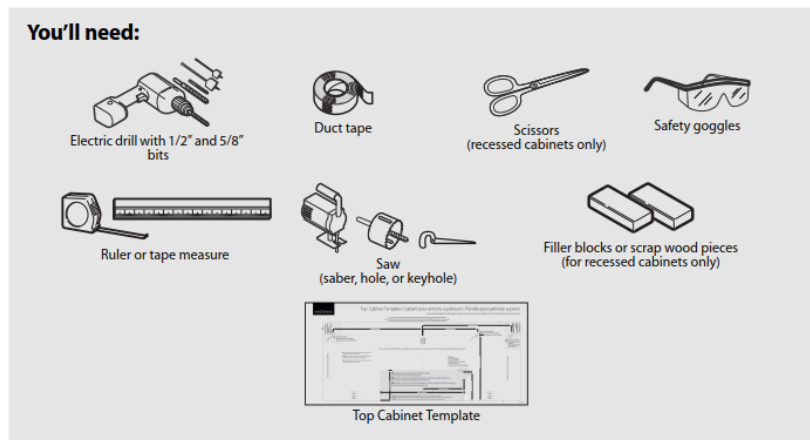
10 If you have recessed cabinets:

- Make two filler blocks out of scrap wood pieces the size of shaded areas **H**. They must be as thick as the depth of the cabinet recess.
- Drill 5/8" holes in the filler blocks to align with points **A** and **B**.



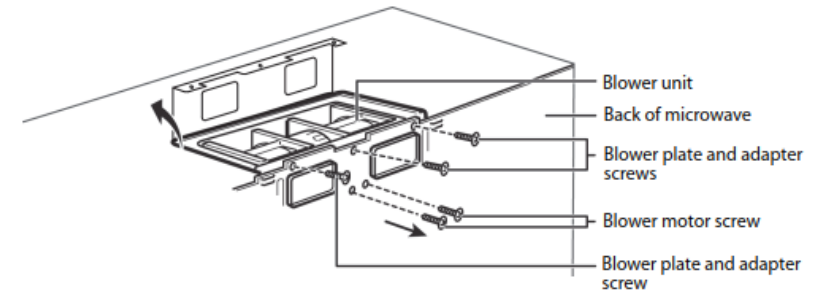
- Align the blocks with the corresponding holes in the cabinet. They should be at the same level as the bottom edge of the cabinet frame.

11 Remove the template.



Step 6: Option A - Adapt the microwave blower for outside top exhaust

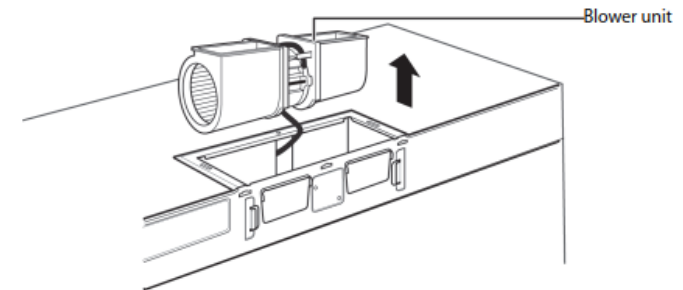
1 Remove and save the five screws that hold the blower unit in the microwave.



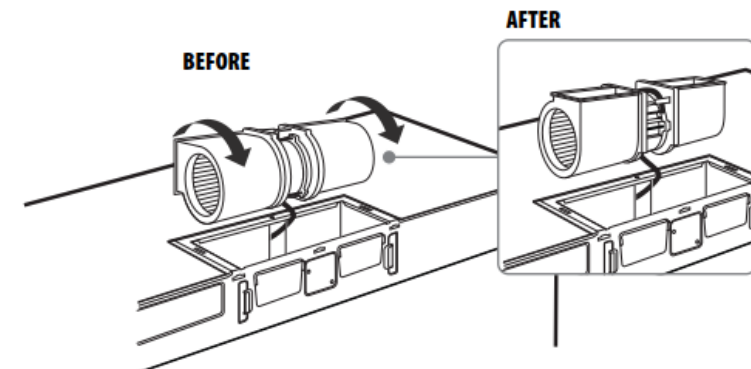
2 Carefully pull out the blower unit. The wires will extend far enough to let you adjust the blower unit. Do not disconnect the wires.

Warning

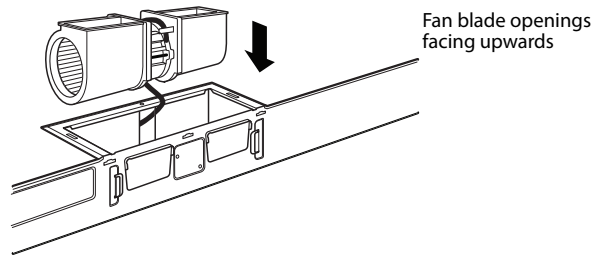
Do not pull or stretch the blower unit wiring. Make sure that the wires are not pinched.



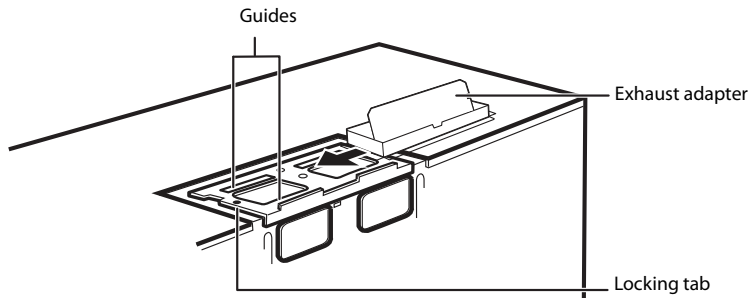
3 Turn the blower unit 90° so that the fan blade openings are facing out the top of the microwave.



4 Place the blower unit back into the opening. The blower unit exhaust openings should face upwards.



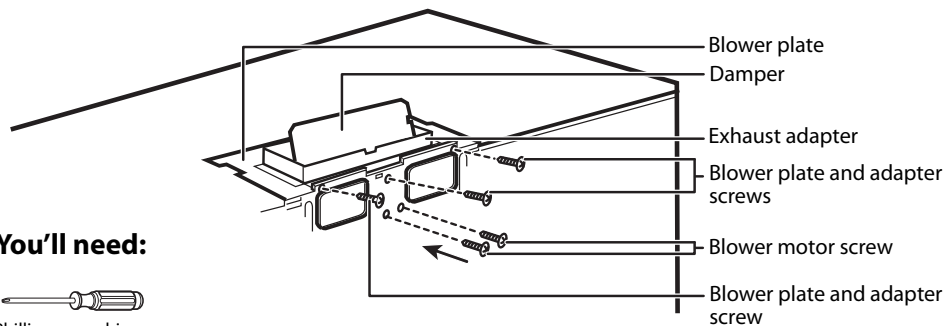
5 Slide the exhaust adapter into the guides on the top of the microwave until it is in the locking tabs.



6 Secure the blower unit in the microwave with five of the screws you previously removed.

Note

Make sure that the damper hinge is at the top and that it can swing freely.



You'll need:



Step 7: Option A - Mount the microwave

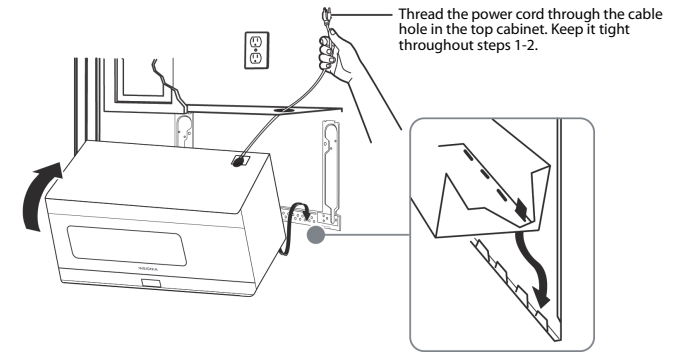
CAUTION

- For easier installation and personal safety, we recommend that two people install this microwave oven.
- Do not grip or use the handle during installation.
- To keep the power cord tight while mounting the microwave oven, thread the power cord through the hole in the bottom of the cabinet.

- 1 If your cabinet is metal, insert the nylon grommet into the power cord hole to prevent cutting the cord.
- 2 Lift the microwave, tilt it forward, and hook the slots on the back bottom edge onto the four lower tabs of the mounting plate. Rotate the front of the microwave up against the bottom of the cabinet.

Note

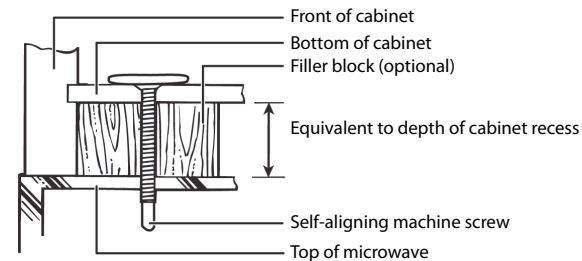
- We recommend using filler blocks if the front of the cabinet hangs below the cabinet's bottom shelf.
- If filler blocks are not used, damage may occur from over-tightening the screws.



- 3 To temporarily hold the microwave in place, insert a self-aligning machine screw through the top-center cabinet hole and rotate the screw **at least two full turns** (it will be fully tightened later).

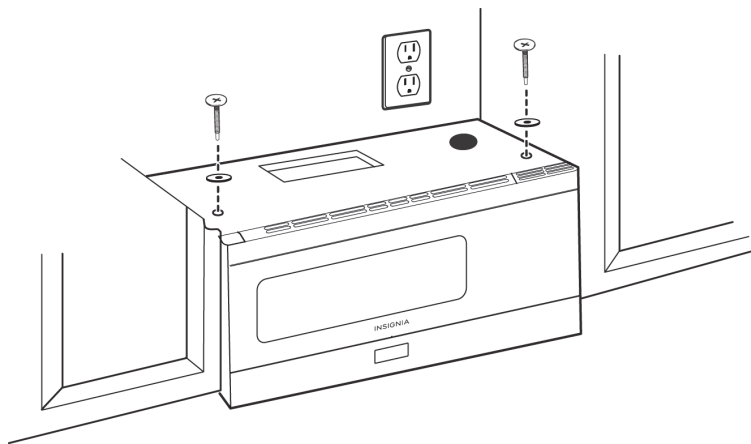
CAUTION

Be sure to keep the power cord tight. Do not pinch the cord, especially when mounting flush to the bottom of the cabinet.

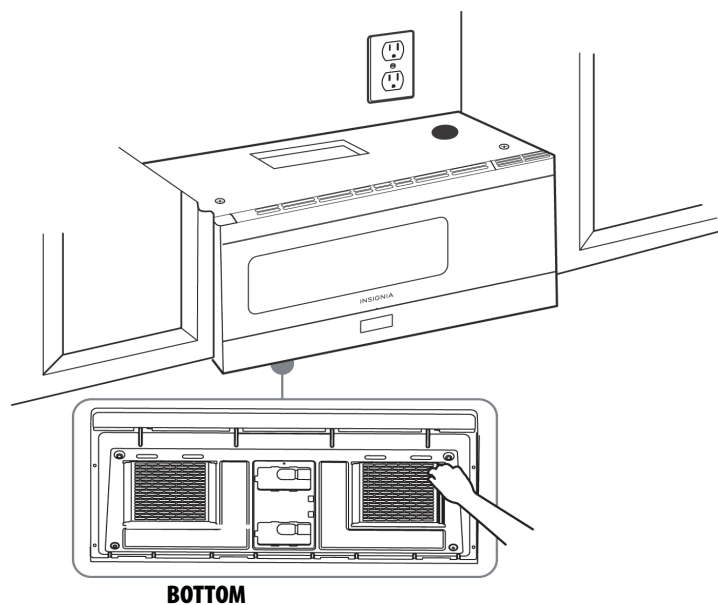


- 4 To attach the microwave oven to the top cabinet, insert two self-aligning machine screws through the holes you drilled in the bottom of the cabinet. Turn each screw at least two full turns (they will be fully tightened later).

- 5 While holding the microwave up against the wall and cabinet, fully tighten the top-center machine screw, then fully tighten the outer two screws.



- 6 Fit the two grease filters into the openings underneath your microwave.



You'll need:

Nylon grommet
(for metal cabinets)

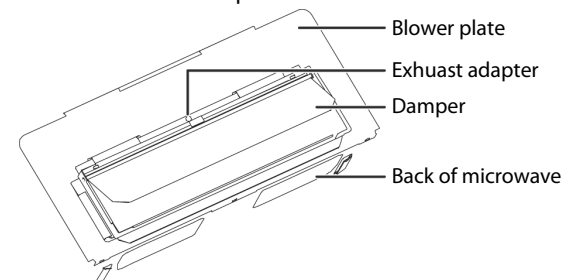
Self-aligning machine
screws

Grease filters

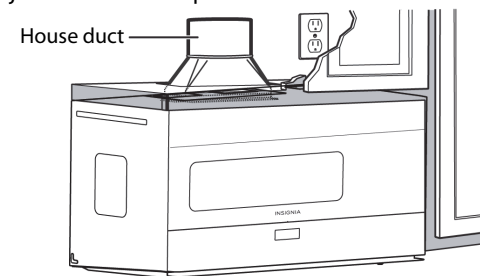
Phillips screwdrivers

Step 8: Option A - Connecting ductwork

- 1 Open the cabinet and slide the exhaust adapter front-to-back or side-to-side to adjust.



- 2 Extend the house duct down to connect to the exhaust adapter.
3 Seal the exhaust duct joints with duct tape.



- 4 You're finished! Skip to "Before using your microwave" on page 40.

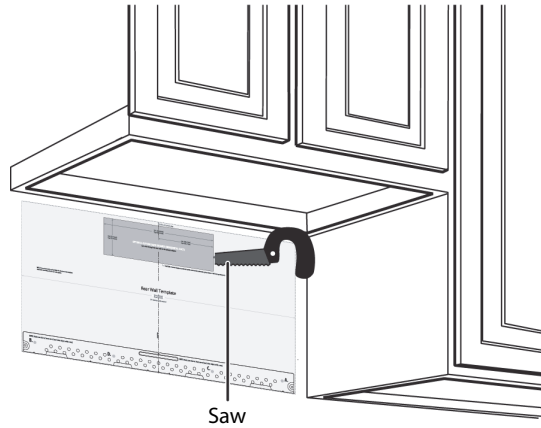
You'll need:



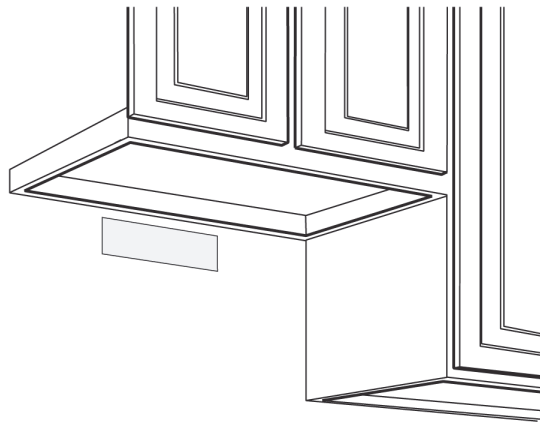
Duct tape

Step 4: Option B - Cutting a vent opening

- 1 Use a saber or keyhole saw to cut out the shaded area through the rear wall.



- 2 Remove the rear wall template.

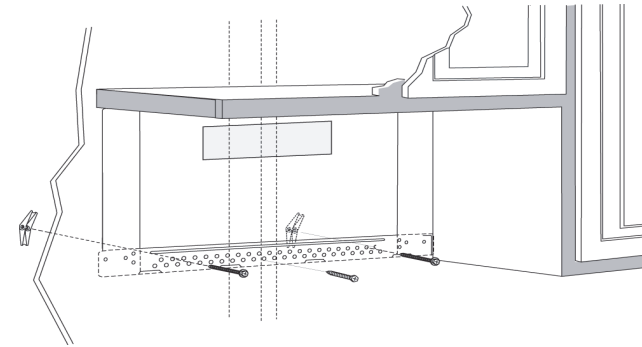


You'll need:



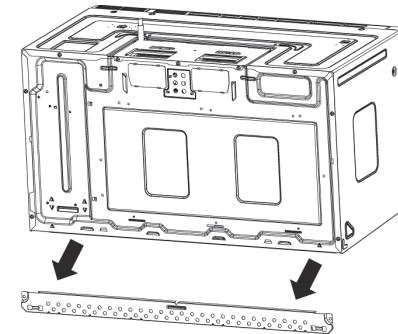
Saw
(saber, hole, or keyhole)

Step 5: Option B - Attach the mounting plate to the wall



Note: Depending on your stud locations, your installation may look different. You should insert toggle bolts into drywall and wood screws into studs.

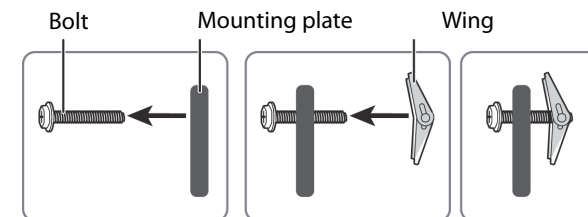
- 1 Remove the rear wall template.
- 2 Remove the mounting plate from the back of your microwave using a Phillips screwdriver.



- 3 Insert the toggle bolt(s) through the front of the mounting plate into the hole(s) that are not going into a stud, and then attach the toggle wings $\frac{3}{4}$ " onto each bolt. Hold your mounting plate up to holes in your wall to identify the correct position.

Note

The top of the mounting plate is indicated with an arrow. The mounting plate's hooks are on the front.

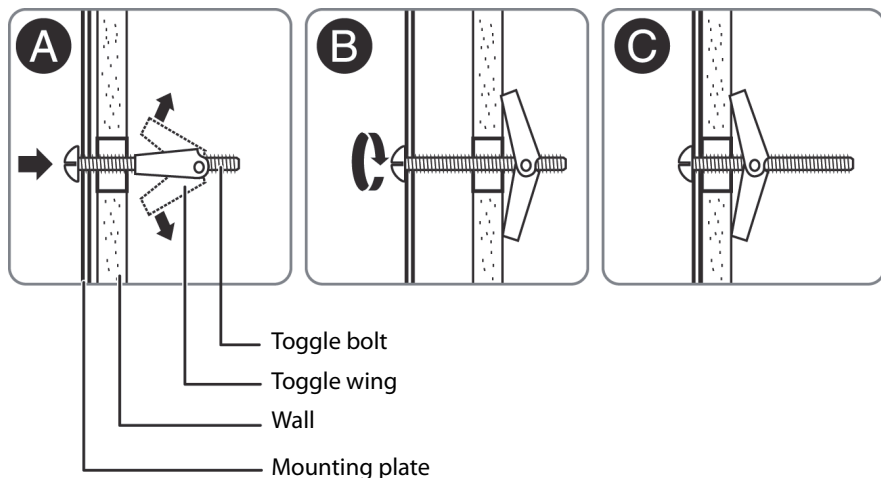


- 4 Place the mounting plate against the wall and insert the toggle wings into the holes you drilled in the drywall. Pull the mounting plate away from the wall to help tighten the toggle wings.

- 5 Insert wood screw(s) through the mounting plate and into the hole(s) drilled in the stud(s), then tighten both the wood screw(s) and toggle bolt(s) with a Phillips screwdriver to mount the plate. Make sure that the plate is centered before tightening fully.

Caution

Be careful to avoid pinching your fingers between the back of the mounting plate and the wall.



Toggle bolt
Toggle wing
Wall
Mounting plate

You'll need:



Mounting plate (Qty. 1)
(ships attached to microwave)

Step 6: Option B - Preparing the top cabinet

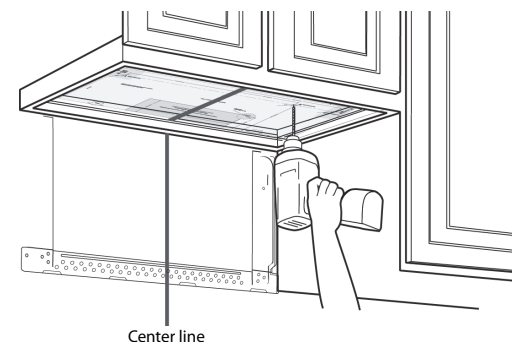
You need to drill holes for the top support screws and a hole large enough for the power cord to fit through.

- 1 Turn off the power to the outlet in the cabinet.
- 2 Remove everything from the cabinet.
- 3 Trim the *Top Cabinet Template* along the dotted line.
- 4 If the bottom of your cabinet is recessed and the template is too large, trim the edges to fit. Your template should fit snugly inside the space with no overhang.

Note

- Make sure that you keep the left and right sides even. For example, if you need to trim the sides by 1", cut 1/2" from the left side and 1/2" from the right side.
- Some cabinets have a small bracket or glue block between the overhang and the underside of the cabinet bottom. Cut the template to fit around these so it lies flat on the bottom of the cabinet.

- 5 To position the *Top Cabinet Template*:
- Align the center line on the template with the center line that you drew on the wall.
 - Align the back edge of the template to the rear wall (smooth or flat bottom cabinets) or to the back of the recess (recessed cabinets) to make sure that the holes cut into the upper cabinet align with the holes in the top of the microwave.



- 6 Tape the template to the bottom of the cabinet.
- 7 Drill 1/2" holes through the template at points **A**, **B**, and **C**.

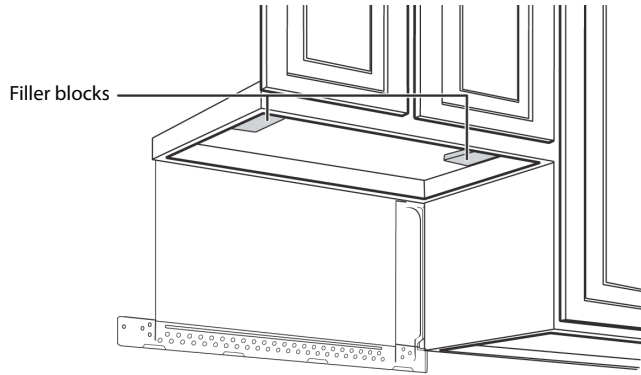
CAUTION

Wear safety goggles when drilling holes in the cabinet bottom.

- 8 Cut a 2" diameter hole at point **D** for the power cord.

9 If you have recessed cabinets:

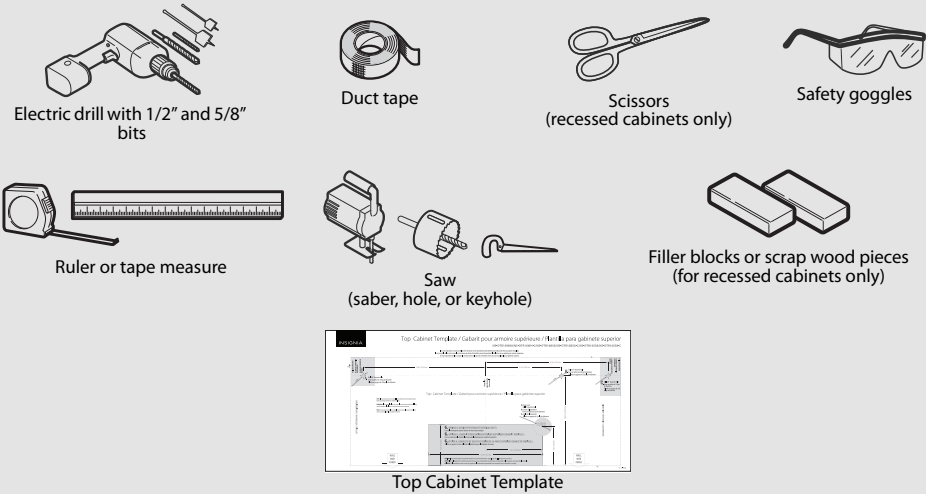
- Make two filler blocks out of scrap wood pieces the size of shaded areas **H**. They must be as thick as the depth of the cabinet recess.
- Drill 5/8" holes in the filler blocks to align with points **A** and **B**.



- Align the blocks with the corresponding holes in the cabinet. They should be at the same level as the bottom edge of the cabinet frame.

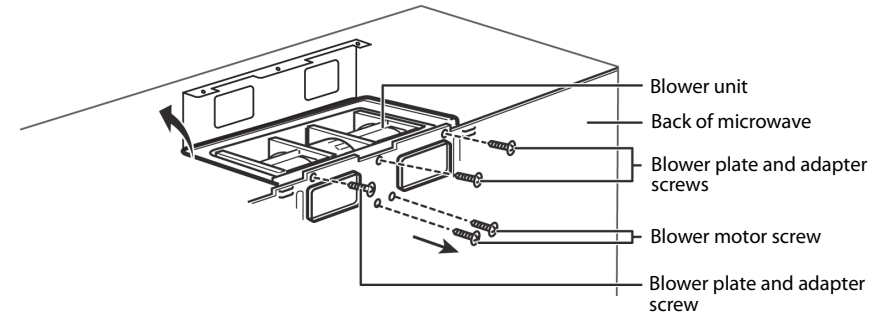
10 Remove the template.

You'll need:



Step 7: Option B - Adapt the microwave blower for outside back exhaust

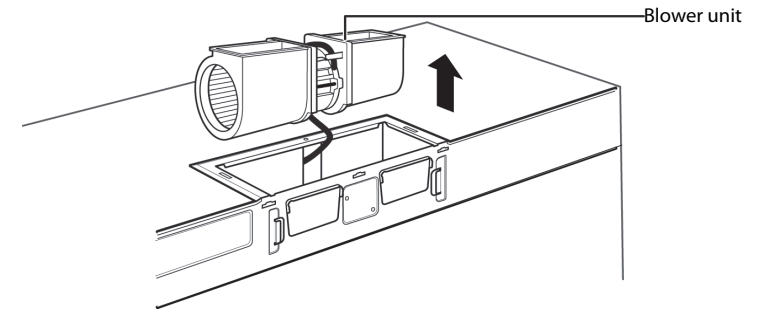
1 Remove and save the five screws that hold the blower unit in the microwave.



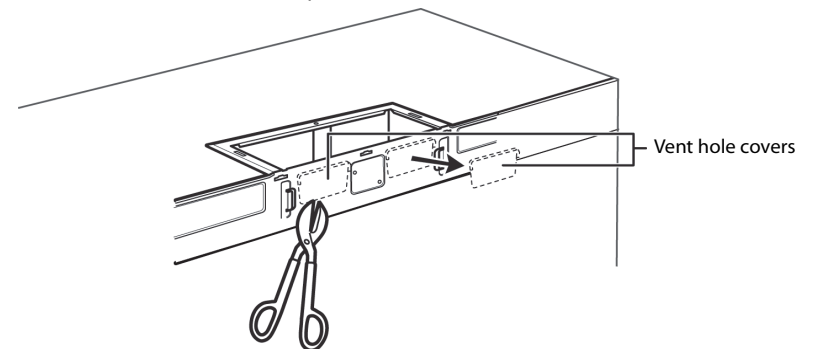
2 Carefully pull out the blower unit. The wires will extend far enough to let you adjust the blower unit. Do not disconnect the wires.

Warning

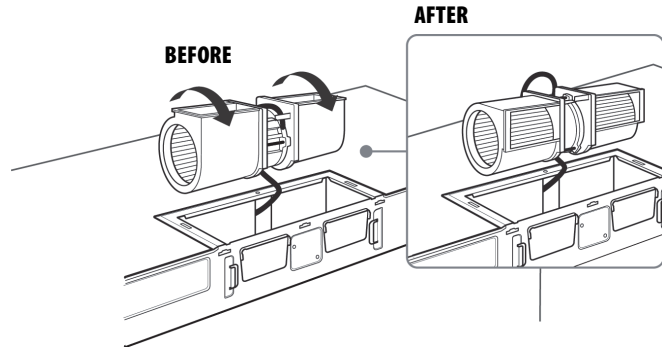
Do not pull or stretch the blower unit wiring. Make sure that the wires are not pinched.



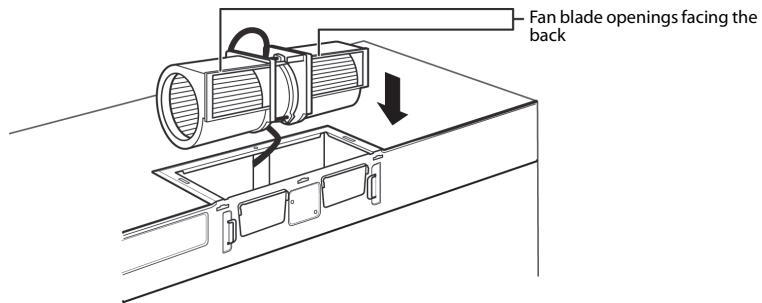
3 Cut out the vent holes with tin snips.



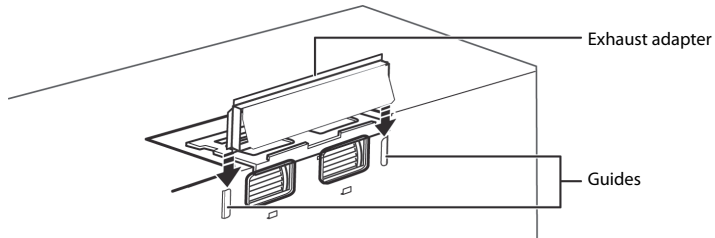
4 Turn the blower unit 180° so that the fan blade openings are facing out the back of the microwave.



5 Place the blower unit back into the opening. The blower unit exhaust openings should match the exhaust openings on back of the microwave.



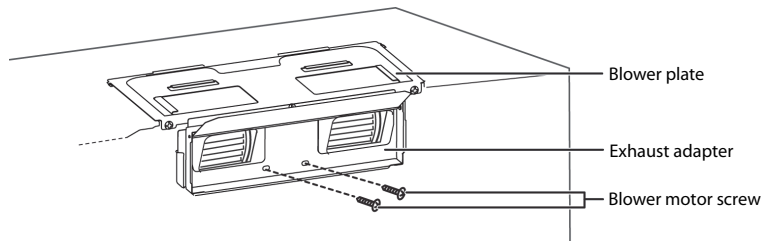
6 Slide the exhaust adapter into the guides on the back of the microwave and push in until it is aligned with the blower motor screw holes, then secure with the blower motor screws.



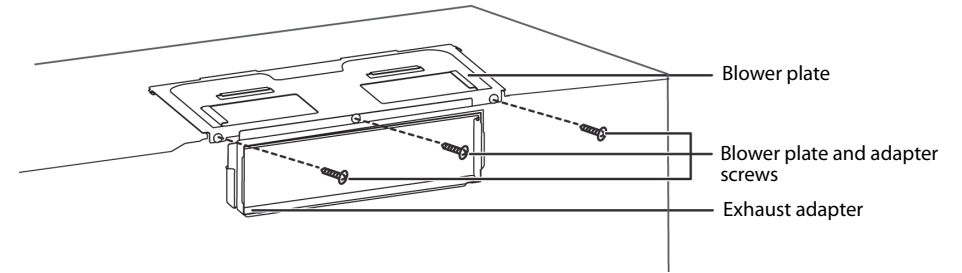
7 Secure the blower unit in the microwave with two of the screws you previously removed.

Note

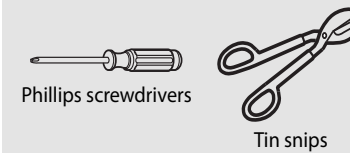
Make sure that the damper hinge is at the top and that it can swing freely.



8 Secure the blower plate and exhaust adapter with the remaining screws you removed previously.



You'll need:



Step 8: Option B - Mount the microwave

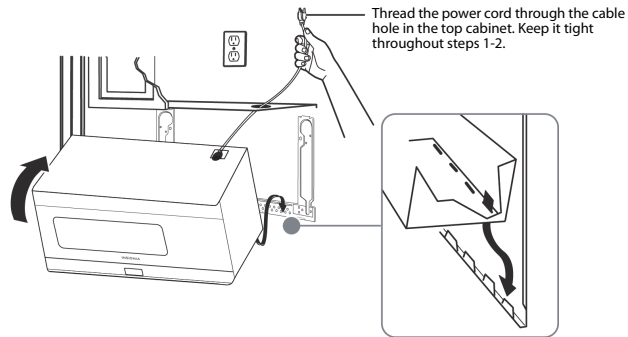
CAUTION

- For easier installation and personal safety, we recommend that two people install this microwave oven.
- Do not grip or use the handle during installation.
- To keep the power cord tight while mounting the microwave oven, thread the power cord through the hole in the bottom of the top cabinet.

- 1 If your cabinet is metal, insert the nylon grommet into the power cord hole to prevent cutting the cord.
- 2 Lift the microwave, tilt it forward, and hook the slots on the back bottom edge onto the four lower tabs of the mounting plate. Rotate the front of the microwave up against the bottom of the cabinet.

Note

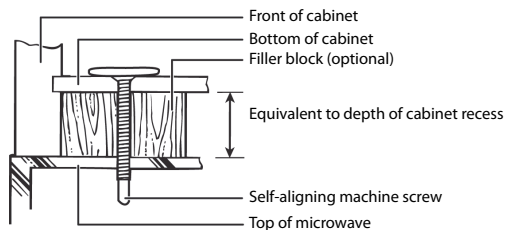
- We recommend using filler blocks if the front of the cabinet hangs below the cabinet's bottom shelf.
- If filler blocks are not used, damage may occur from over-tightening the screws.



- 3 To temporarily hold the microwave in place, insert a self-aligning machine screw through the top-center cabinet hole and rotate the screw **at least two full turns** (it will be fully tightened later).

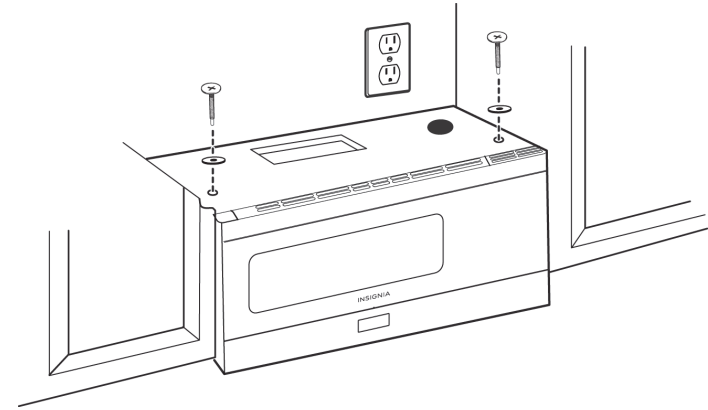
CAUTION

Be sure to keep the power cord tight. Do not pinch the cord, especially when mounting flush to the bottom of the cabinet.

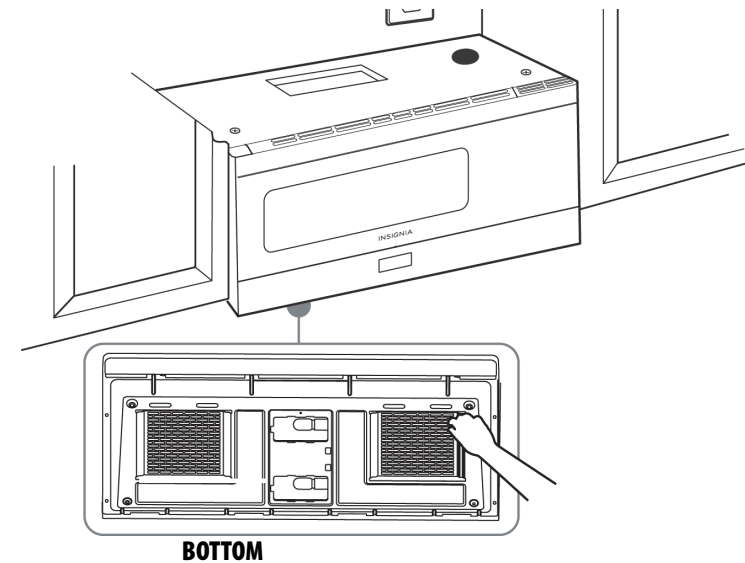


- 4 To attach the microwave oven to the top cabinet, insert two self-aligning machine screws through the holes you drilled in the bottom of the cabinet. Turn each screw at least two full turns (they will be fully tightened later).

- 5 While holding the microwave up against the wall and cabinet, fully tighten the top-center machine screw, then fully tighten the outer two screws.



- 6 Fit the two grease filters into the openings underneath your microwave.



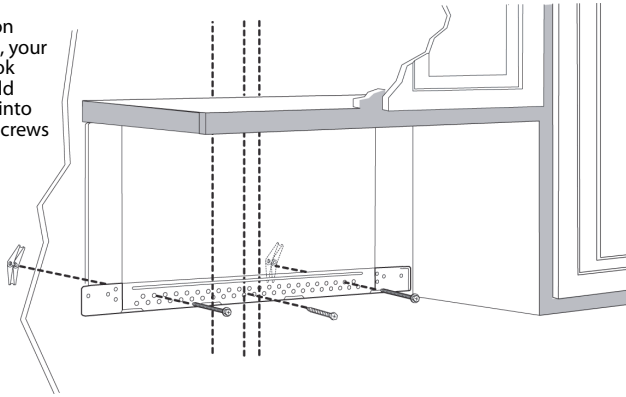
- 7 You're finished! See "Before using your microwave" on page 40

You'll need:

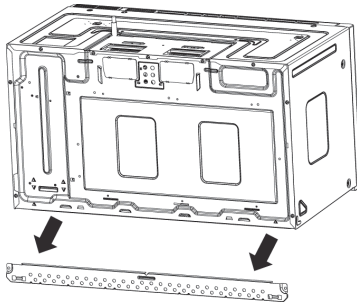


Step 4: Option C - Attach the mounting plate to the wall

Note: Depending on your stud locations, your installation may look different. You should insert toggle bolts into drywall and wood screws into studs.



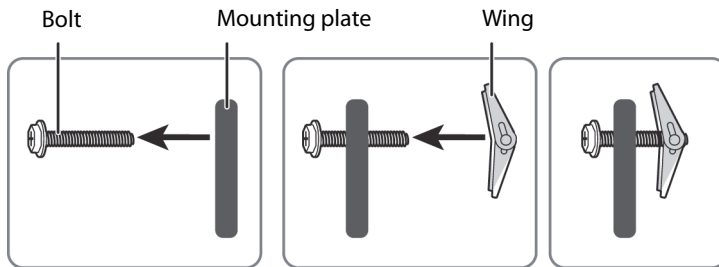
- 1 Remove the rear wall template.
- 2 Remove the mounting plate from the back of your microwave using a Phillips screwdriver.



- 3 Insert the toggle bolt(s) through the front of the mounting plate into the hole(s) that are not going into a stud, and then attach the toggle wings $\frac{3}{4}$ " onto each bolt. Hold your mounting plate up to holes in your wall to identify the correct position.

Note

The top of the mounting plate is indicated with an arrow. The mounting plate's hooks are on the front.

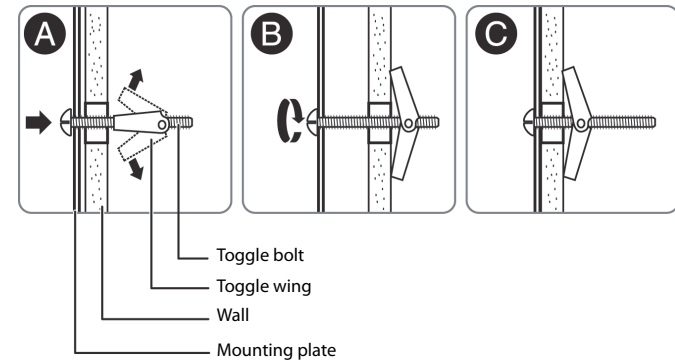


- 4 Place the mounting plate against the wall and insert the toggle wings into the holes you drilled in the drywall. Pull the mounting plate away from the wall to help tighten the toggle wings.

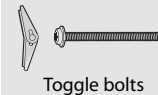
- 5 Insert wood screw(s) through the mounting plate and into the hole(s) drilled in the stud(s), then tighten both the wood screw(s) and toggle bolt(s) with a Phillips screwdriver to mount the plate. Make sure that the plate is centered before tightening fully.

Caution

Be careful to avoid pinching your fingers between the back of the mounting plate and the wall.



You'll need:



Step 5: Option C - Preparing the top cabinet

You need to drill holes for the top support screws and a hole large enough for the power cord to fit through.

- 1 Turn off the power to the outlet in the cabinet.
- 2 Remove everything from the cabinet.
- 3 Trim the *Top Cabinet Template* along the dotted line.
- 4 If the bottom of your cabinet is recessed and the template is too large, trim the edges to fit. Your template should fit snugly inside the space with no overhang.

Note

- Make sure that you keep the left and right sides even. For example, if you need to trim the sides by 1", cut 1/2" from the left side and 1/2" from the right side.
- Some cabinets have a small bracket or glue block between the overhang and the underside of the cabinet bottom. Cut the template to fit around these so it lies flat on the bottom of the cabinet.

5 To position the *Top Cabinet Template*:

- Align the center line on the template with the center line that you drew on the wall.
- Align the back edge of the template to the rear wall (smooth or flat bottom cabinets) or to the back of the recess (recessed cabinets) to make sure that the holes cut into the upper cabinet align with the holes in the top of the microwave.

6 Tap

7 Drill 1/2" holes through the template at points **A**, **B**, and **C**.

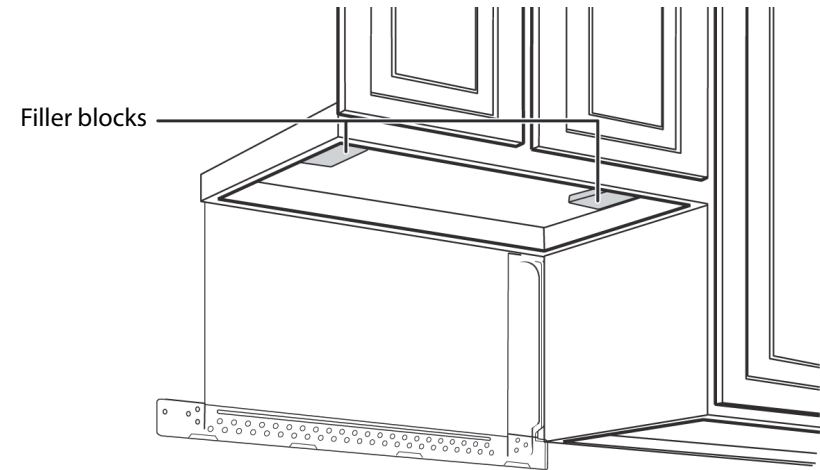
CAUTION

Wear safety goggles when drilling holes in the cabinet bottom.

8 Cut a 2" diameter hole at point **D** for the power cord.

9 If you have recessed cabinets:

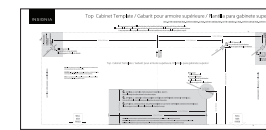
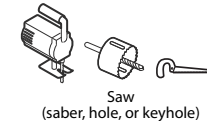
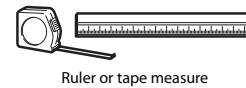
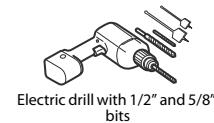
- Make two filler blocks out of scrap wood pieces the size of shaded areas **H**. They must be as thick as the depth of the cabinet recess.
- Drill 5/8" holes in the filler blocks to align with points **A** and **B**.



- Align the blocks with the corresponding holes in the cabinet. They should be at the same level as the bottom edge of the cabinet frame.

10 Remove the template.

You'll need:



Step 6: Option C - Mount the microwave

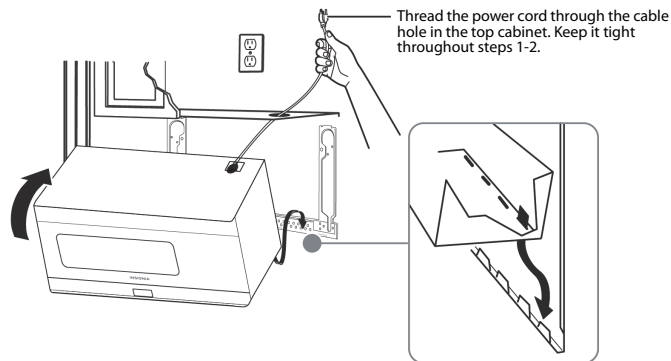
CAUTION

- For easier installation and personal safety, we recommend that two people install this microwave oven.
- Do not grip or use the handle during installation.
- To keep the power cord tight while mounting the microwave oven, thread the power cord through the hole in bottom of the top cabinet.

- 1 If your cabinet is metal, insert the nylon grommet into the power cord hole to prevent cutting the cord.
- 2 Lift the microwave, tilt it forward, and hook the slots on the back bottom edge onto the four lower tabs of the mounting plate. Rotate the front of the microwave up against the bottom of the cabinet.

Note

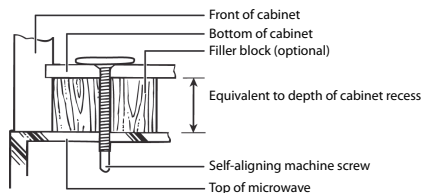
- We recommend using filler blocks if the front of the cabinet hangs below the cabinet's bottom shelf.
- If filler blocks are not used, damage may occur from over-tightening the screws.



- 3 To temporarily hold the microwave in place, insert a self-aligning machine screw through the top-center cabinet hole and rotate the screw **at least two full turns** (it will be fully tightened later).

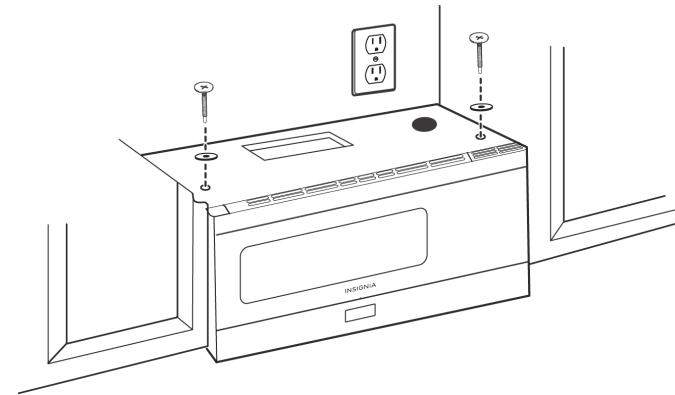
CAUTION

Be sure to keep the power cord tight. Do not pinch the cord, especially when mounting flush to the bottom of the cabinet.

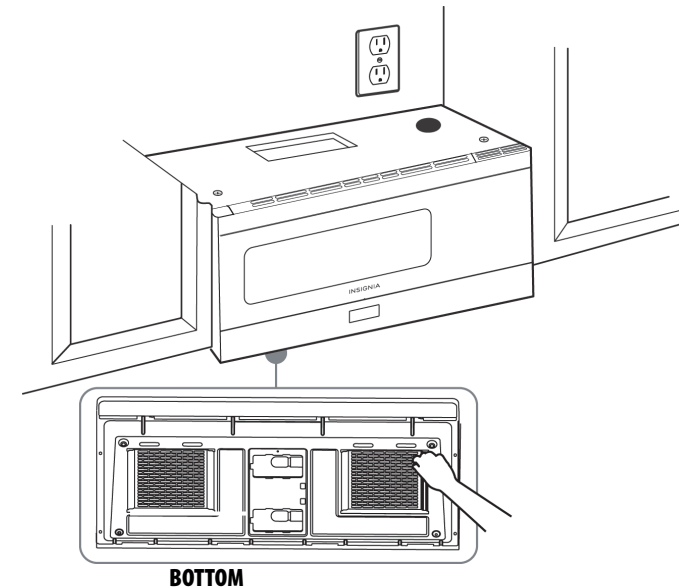


- 4 To attach the microwave oven to the top cabinet, insert two self-aligning machine screws through the holes you drilled in the bottom of the cabinet. Turn each screw at least two full turns (they will be fully tightened later).

- 5 While holding the microwave up against the wall and cabinet, fully tighten the top-center machine screw, then fully tighten the outer two screws.

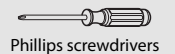


- 6 Fit the two grease filters into the openings underneath your microwave.



- 7 You're finished! Skip to "Before using your microwave" on page 40.

You'll need:





APPLIANCES

WARRANTY AND SERVICE

For full warranty details on this product please visit:
<http://www.cosmoappliances.com/warranty>

TO RECEIVE WARRANTY SERVICE, YOUR
PRODUCT MUST BE REGISTERED. TO REGISTER, VISIT:

WWW.COSMOAPPLIANCES.COM/WARRANTY

SCAN TO REGISTER



IMPORTANT

Do Not Return This Product To The Store If
you have a problem with this product, please contact

Cosmo Customer Support at

+1(888)784-3108

DATED PROOF OF PURCHASE, MODEL #, AND SERIAL #
REQUIRED FOR WARRANTY SERVICE

IMPORTANT

Ne pas Réexpédier ce Produit au Magasin
Pour tout problème concernant ce produit, veuillez contacter
le service des consommateurs Cosmo Customer Support au

+1(888) 784-3108

UNE PREUVE D'ACHAT DATEE EST REQUISE POUR BENEFICIER DE
LA GARANTIE.

IMPORTANTE

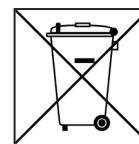
No regrese este producto a la tienda
Si tiene algún problema con este producto, por favor contacte el
AYUDA AL CLIENTE COSMO al

+1(888)784-3108

(Válido solo en E.U.A).

NECESITA UNA PRUEBA DE DE COMPRA FECHADA, NÚMERO DE
MODELO Y DE SERIE PARA EL SERVICIO DE LA GARANTÍA

Correct Disposal of this product:



This marking indicates that this appliance should not
be disposed with other household wastes. To prevent
possible harm to the environment or human health
from uncontrolled waste disposal, recycle it responsibly to
promote the sustainable reuse of material resources.



Cosmo is constantly making efforts to improve the quality and performance of our products, so we may make changes to our appliances without updating this manual.

Electronic version of this manual is available at:
www.cosmoappliances.com