

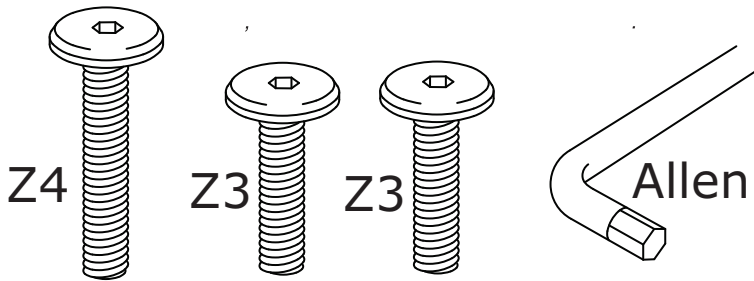
Assembly and User Manual

Unlocking Potential
mon
toddler
One Montdodler at a Time



This module can be installed by one person

The necessary tools required for assembly of this module



1



2

18x 5x 16x 2x

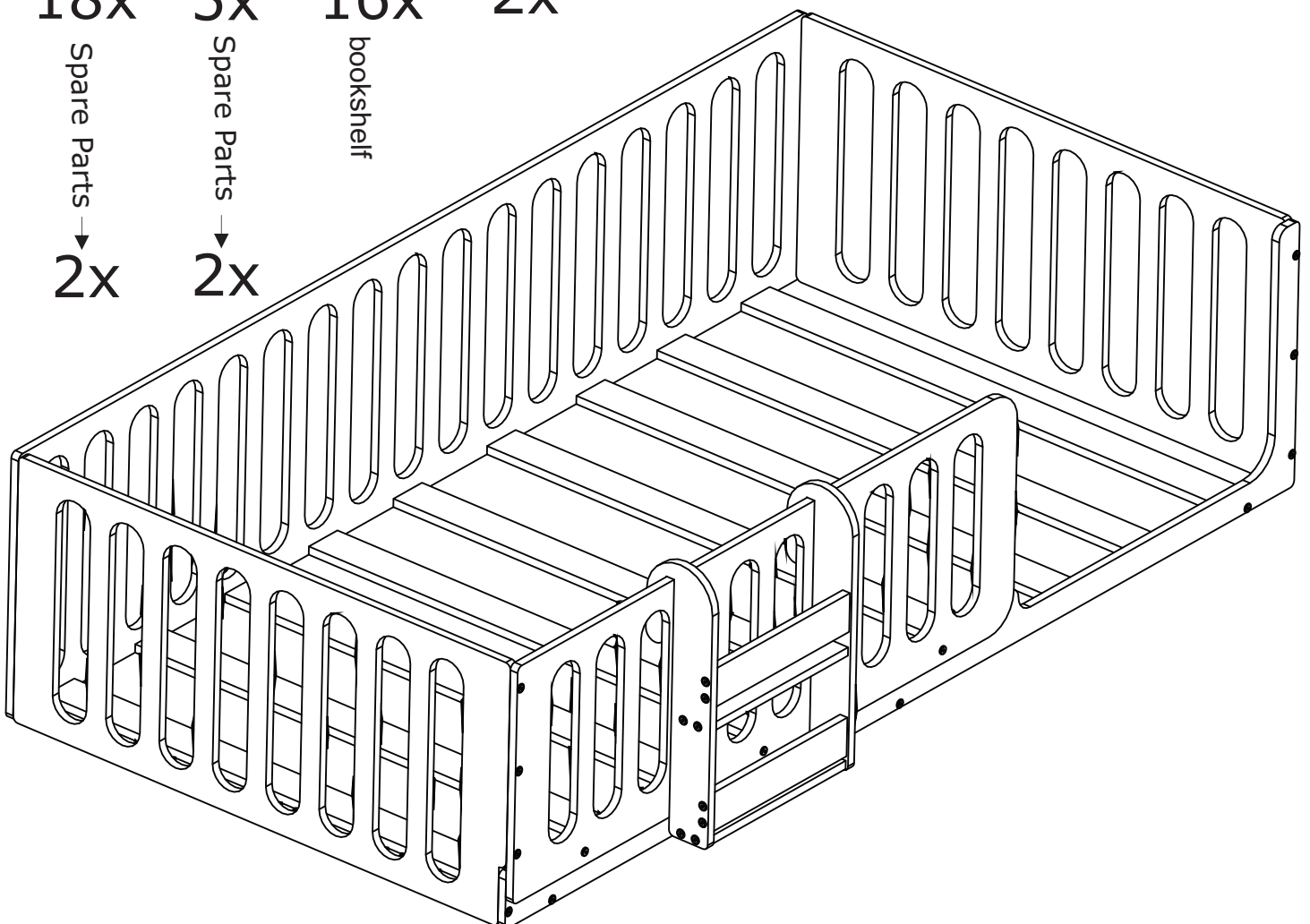
Spare Parts

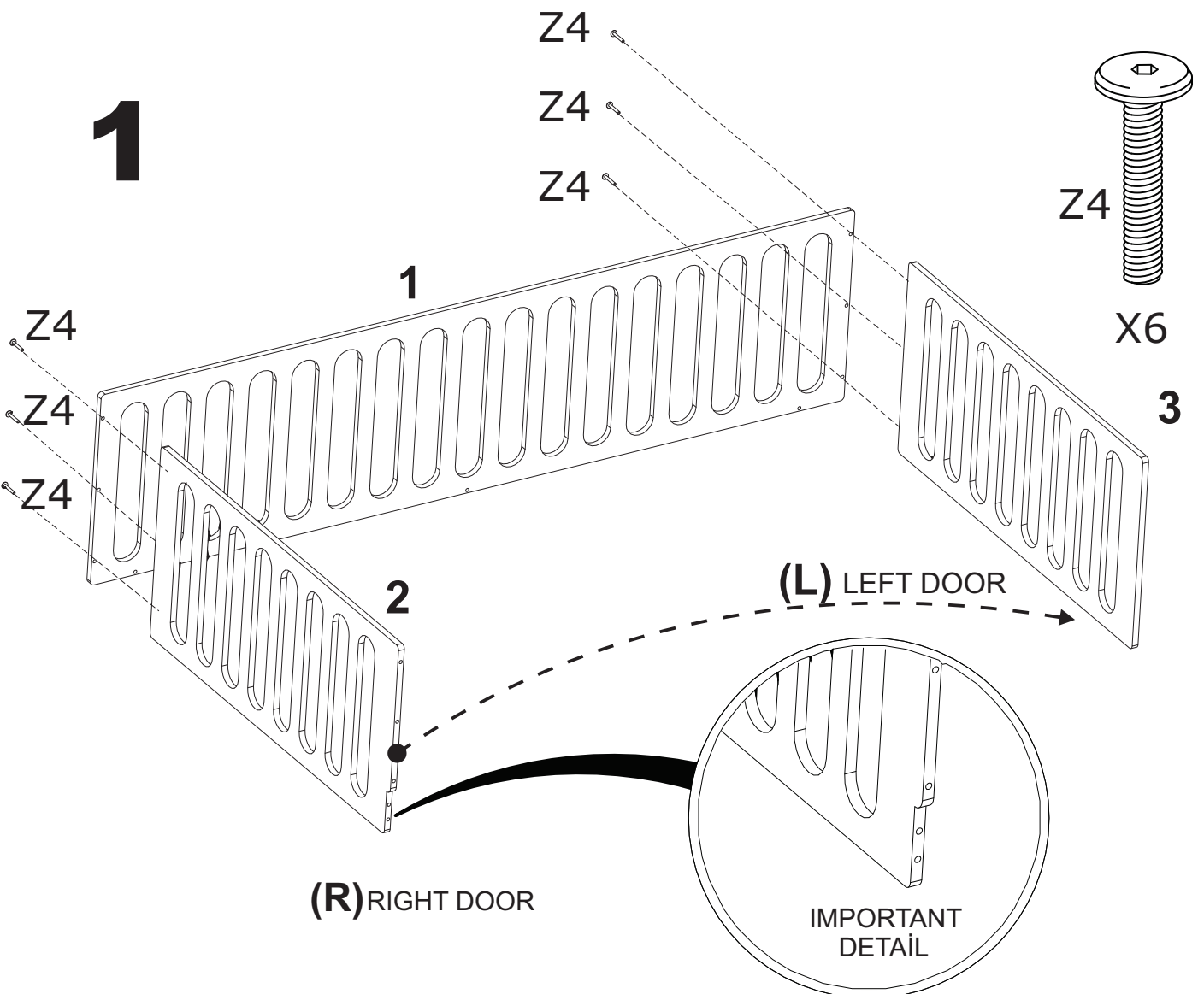
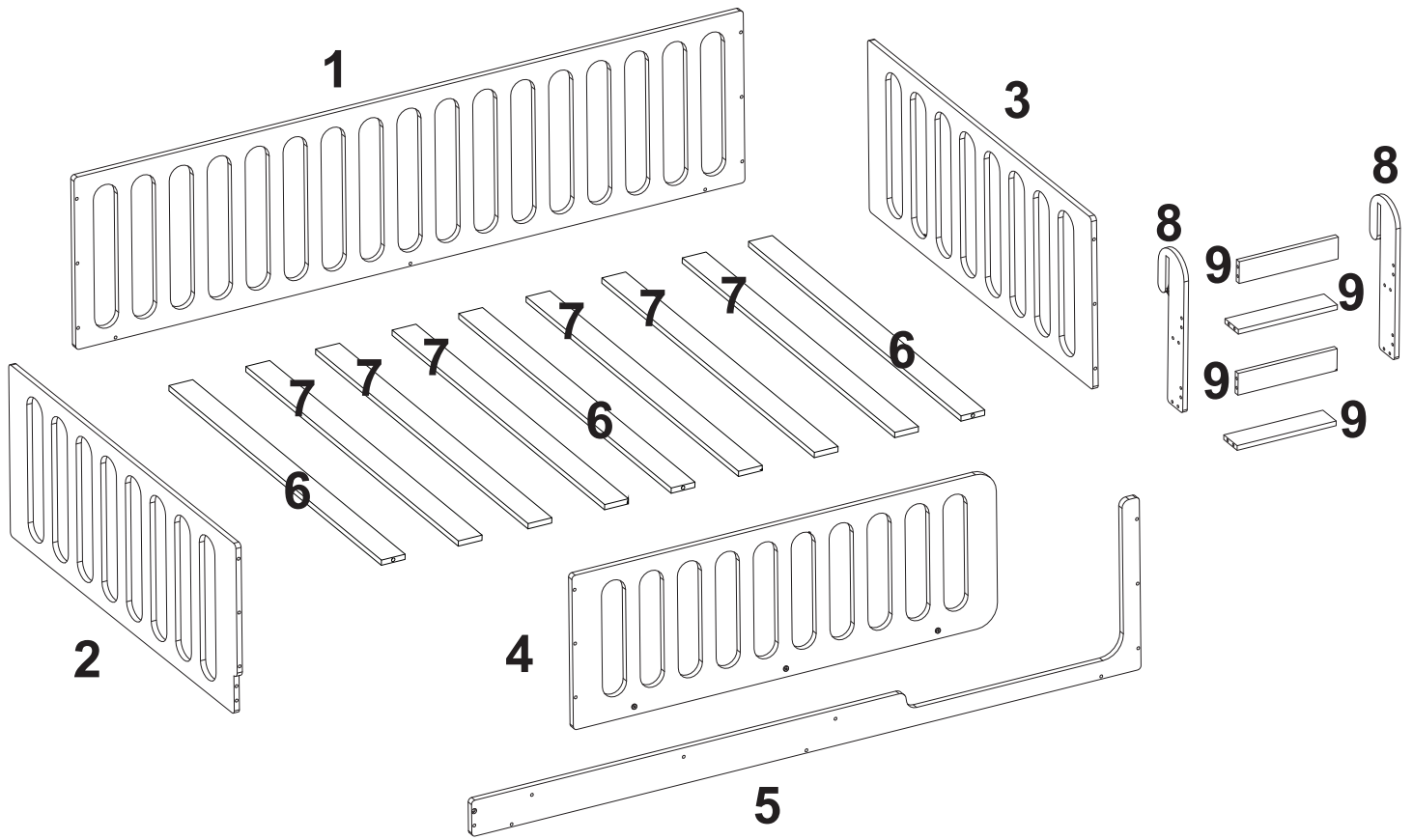
2x

Spare Parts

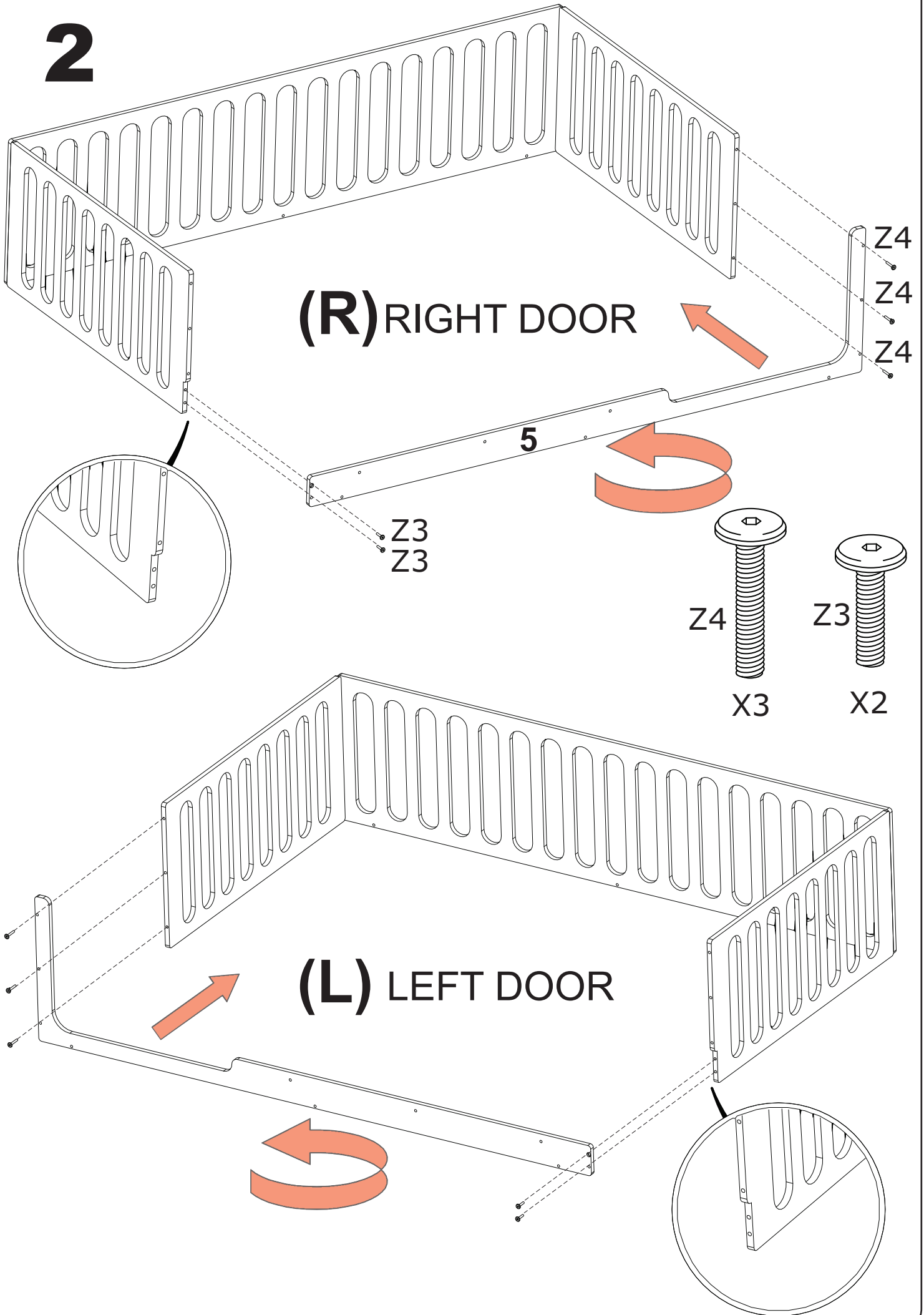
2x

bookshelf

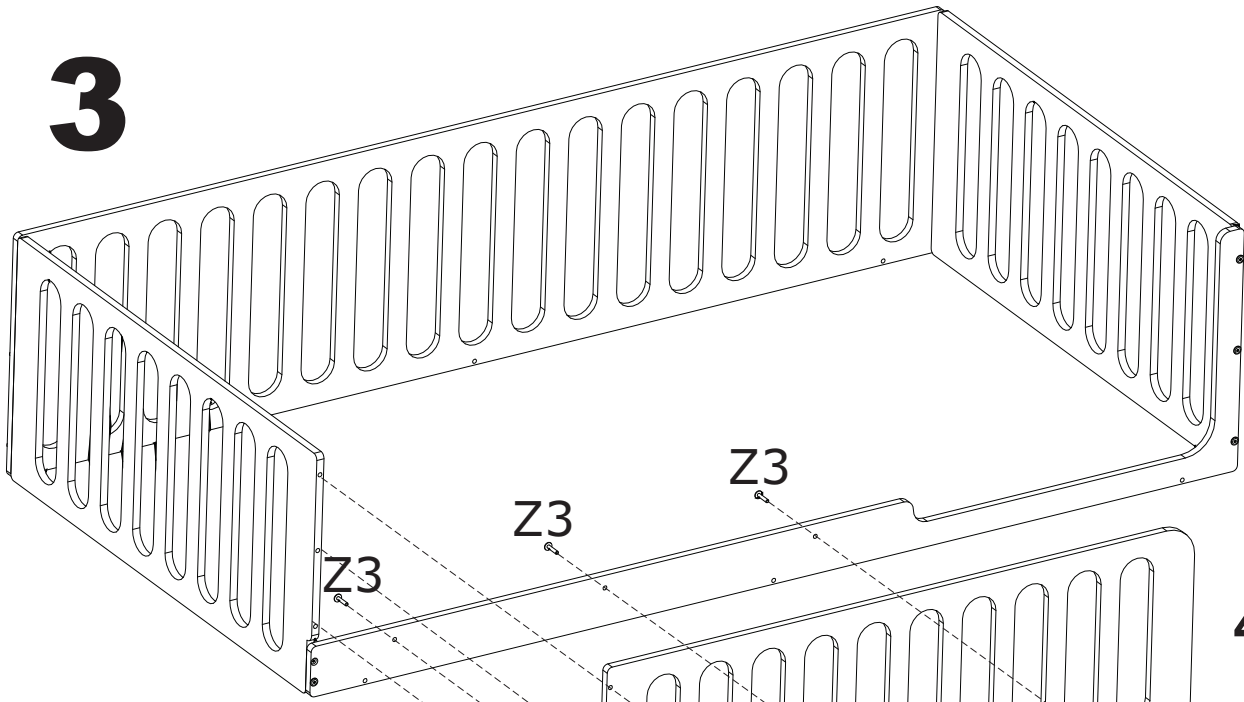




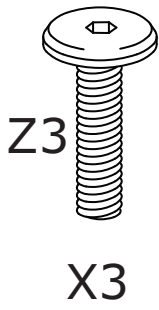
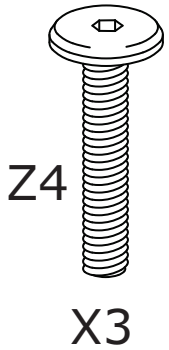
2



3

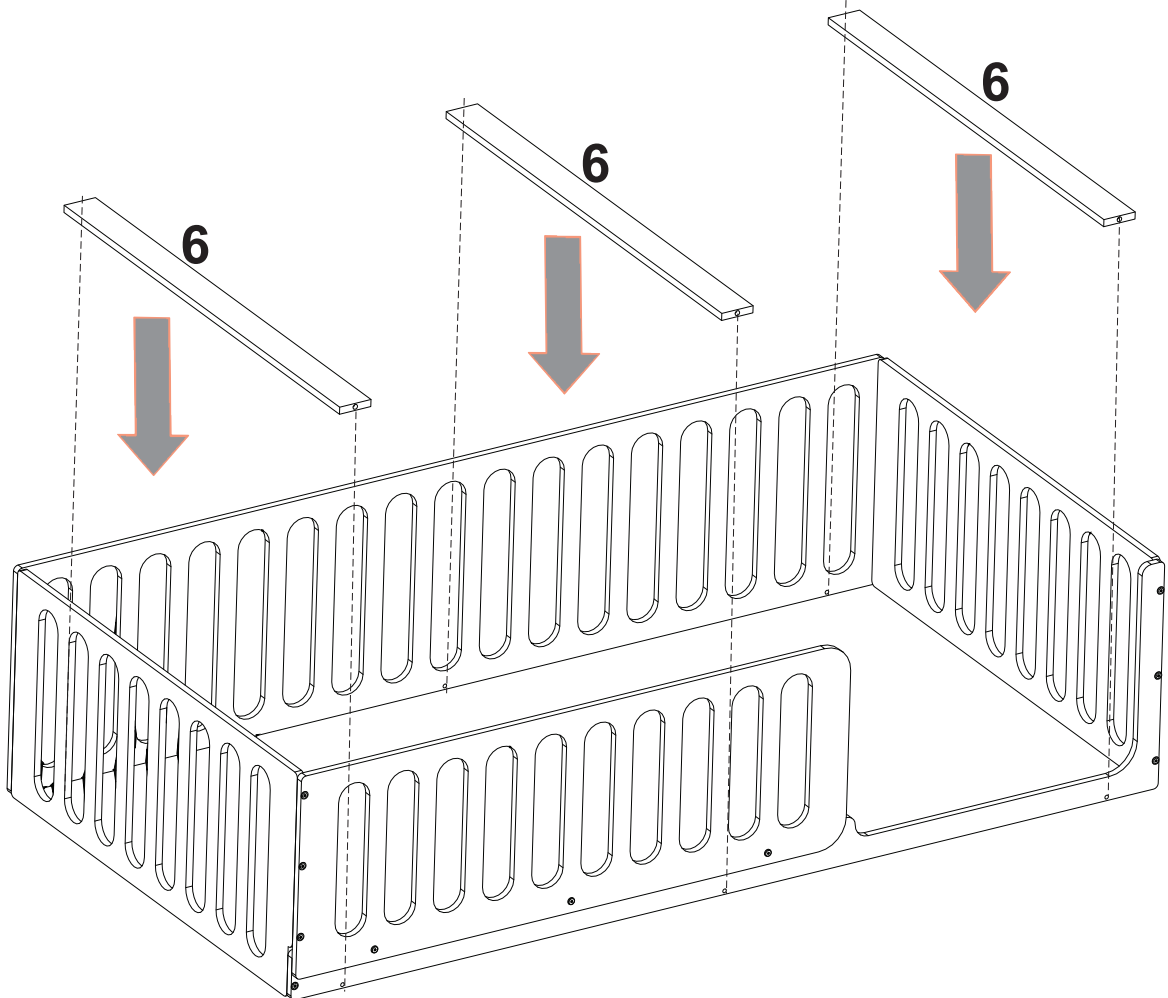


4

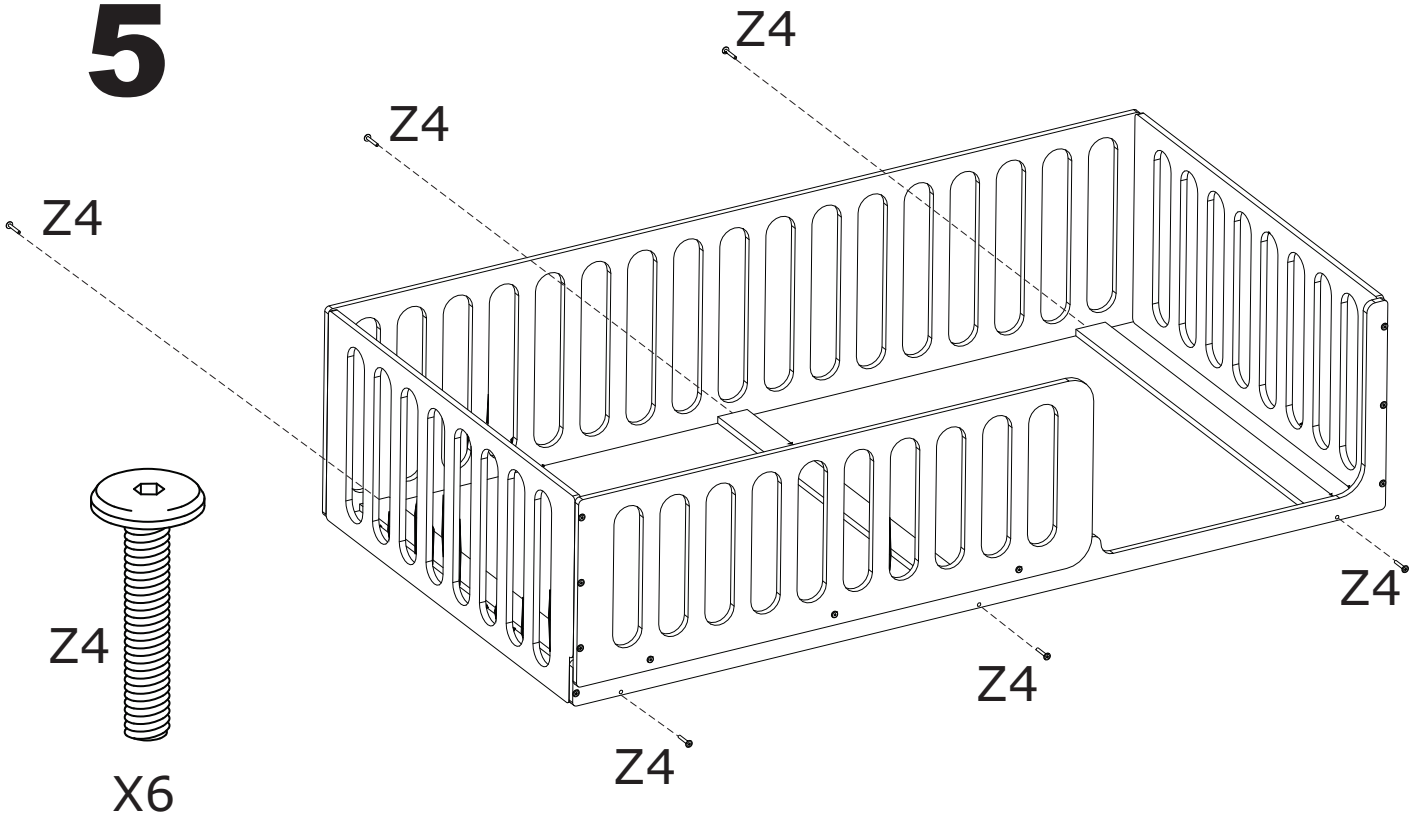


Z4
Z4
Z4

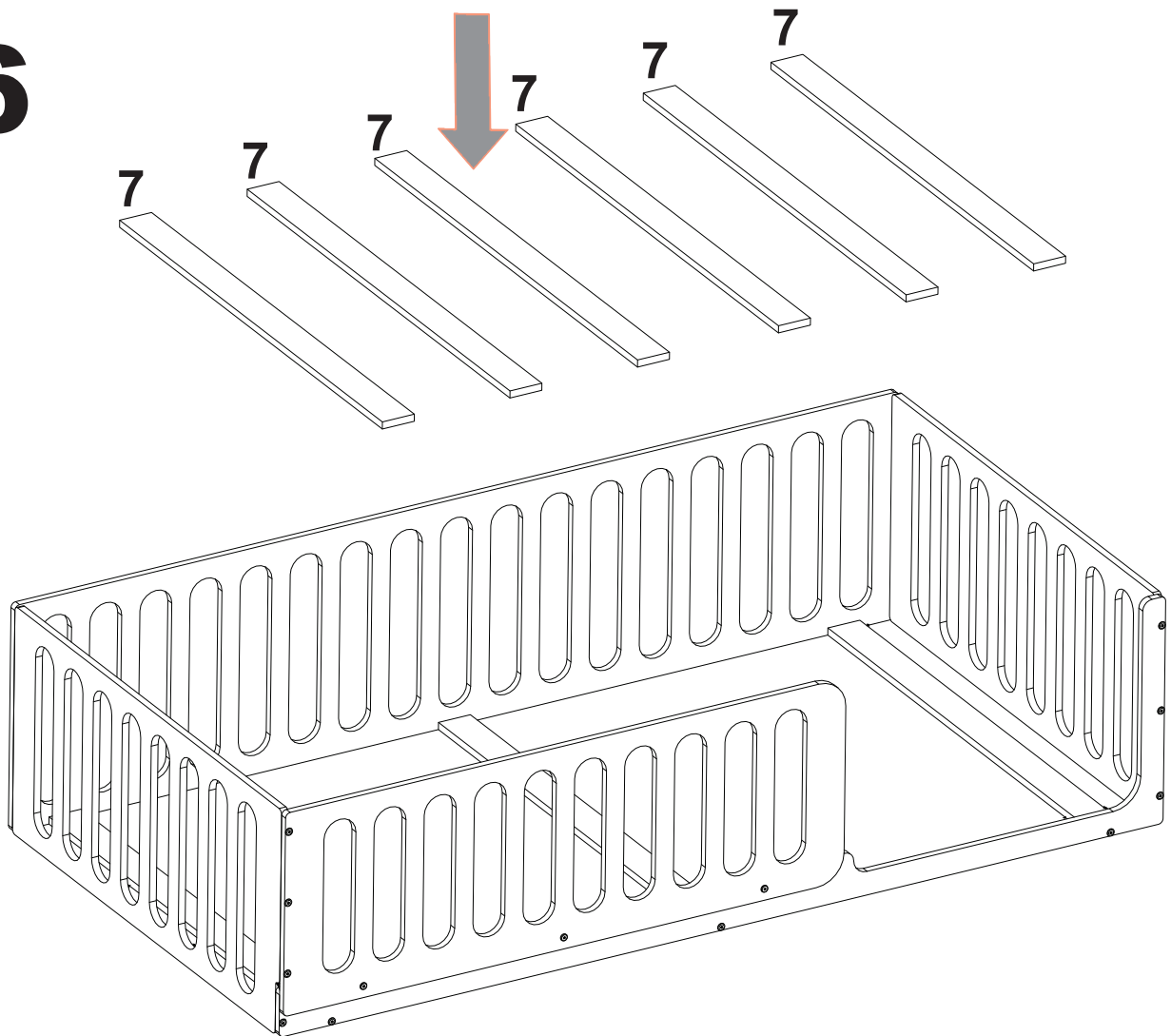
4



5

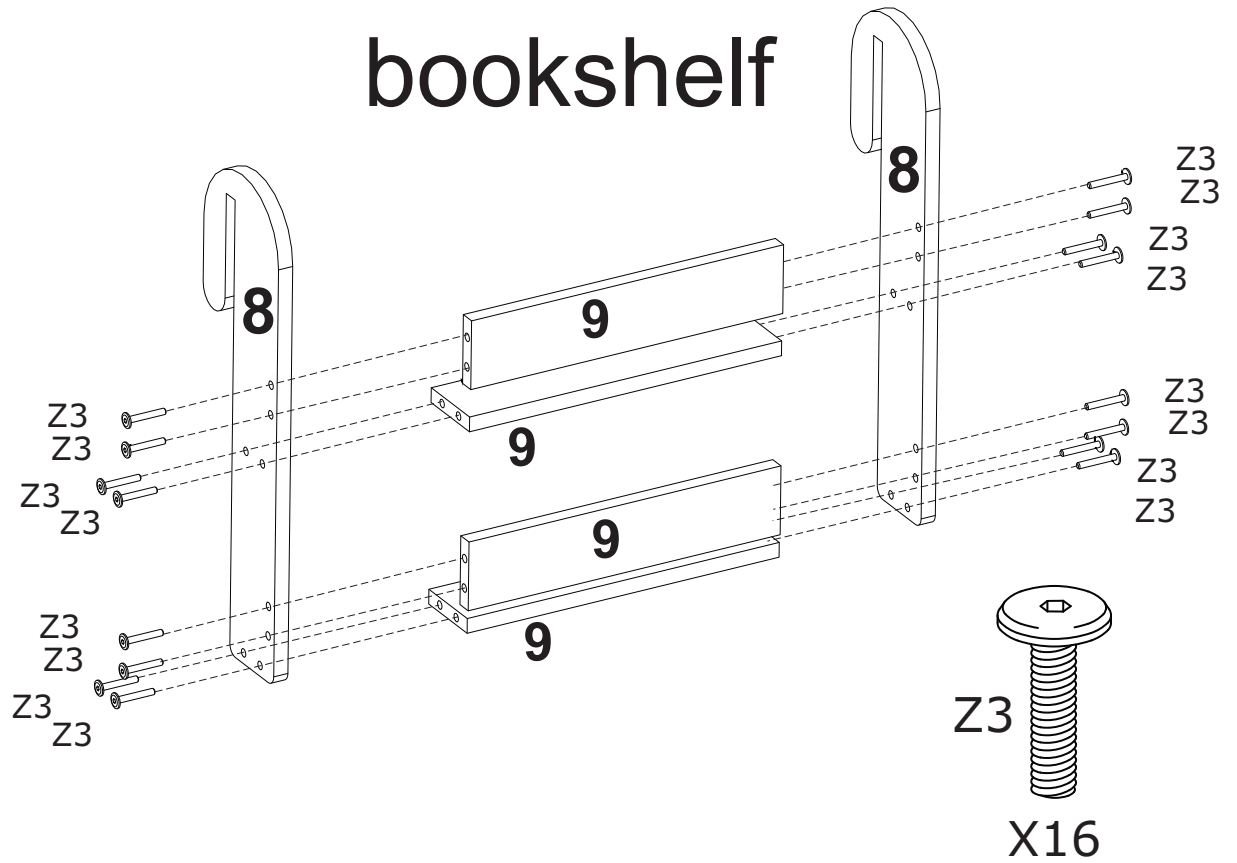


6



7

bookshelf



8

bookshelf

