

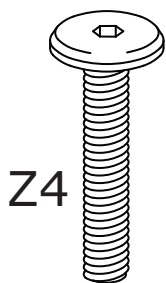
Assembly and User Manual

Unlocking Potential
mon
toddler
One Montdodler at a Time



This module can be installed by one person

The necessary tools required for assembly of this module

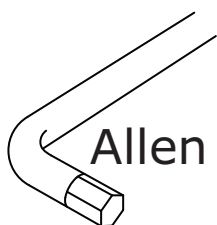


Z4

20x

Spare Parts →

2x

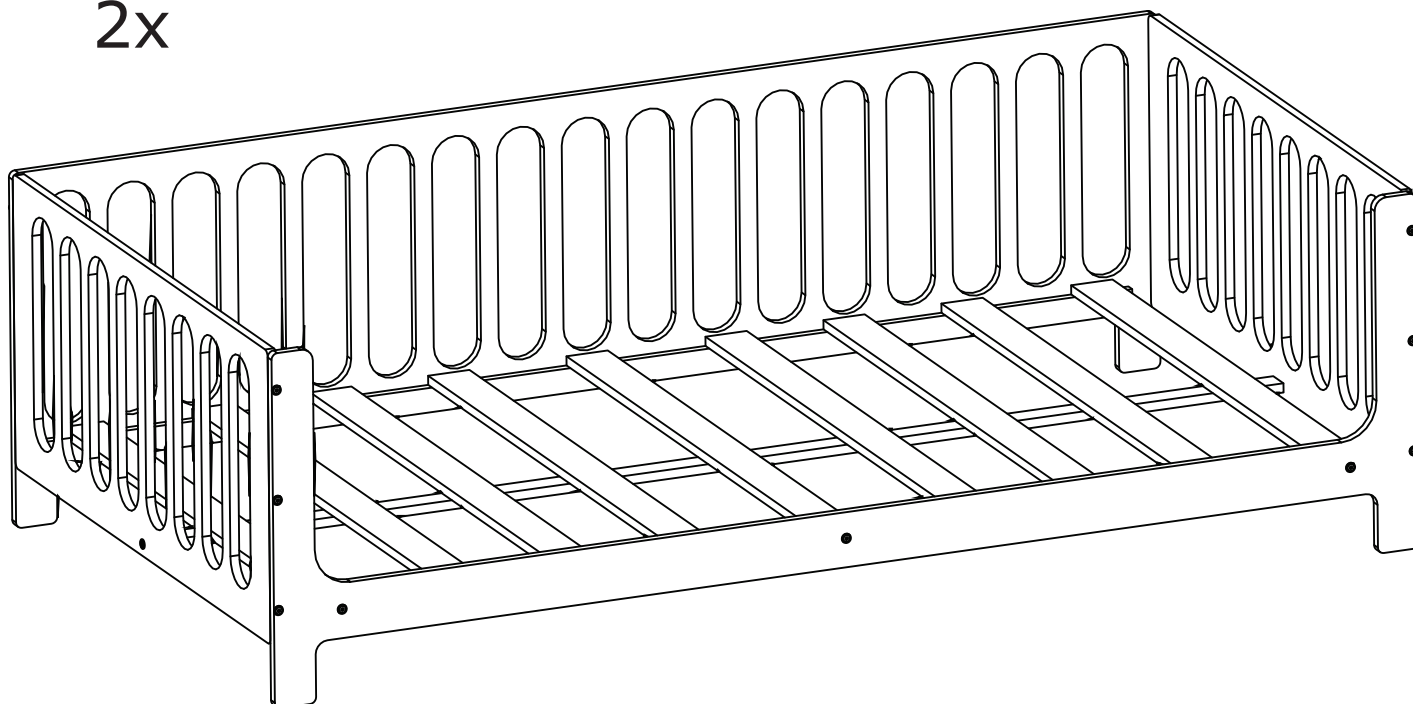


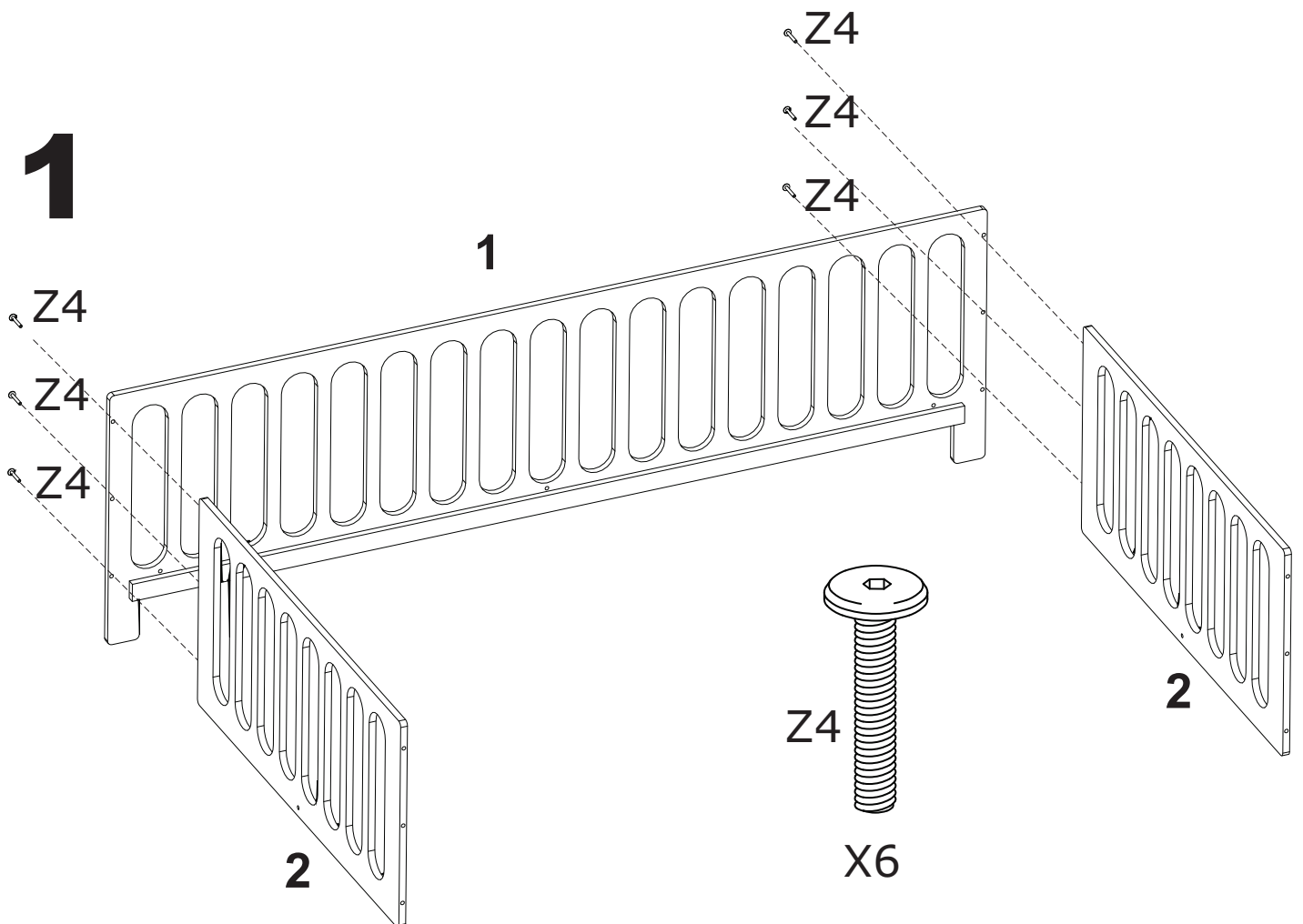
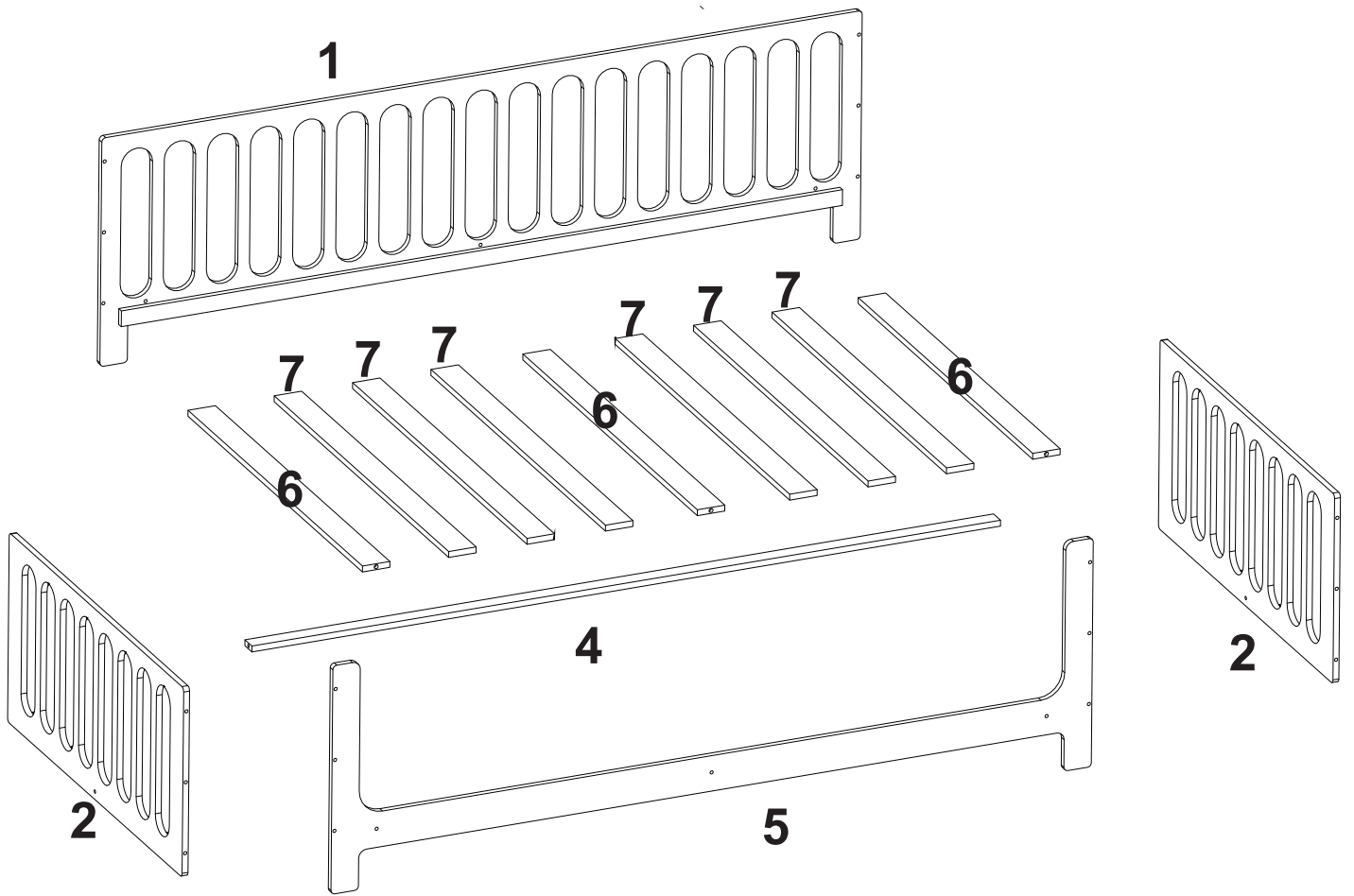
Allen

2x

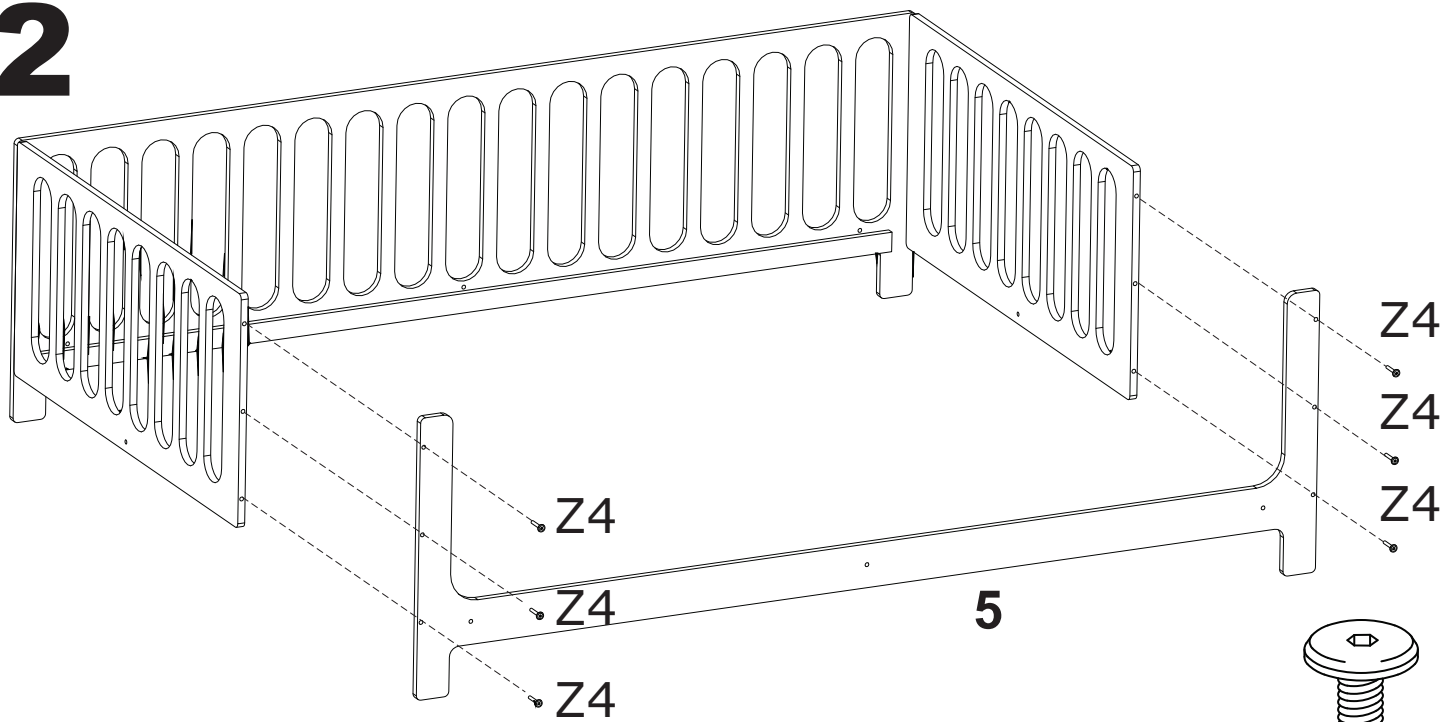


1

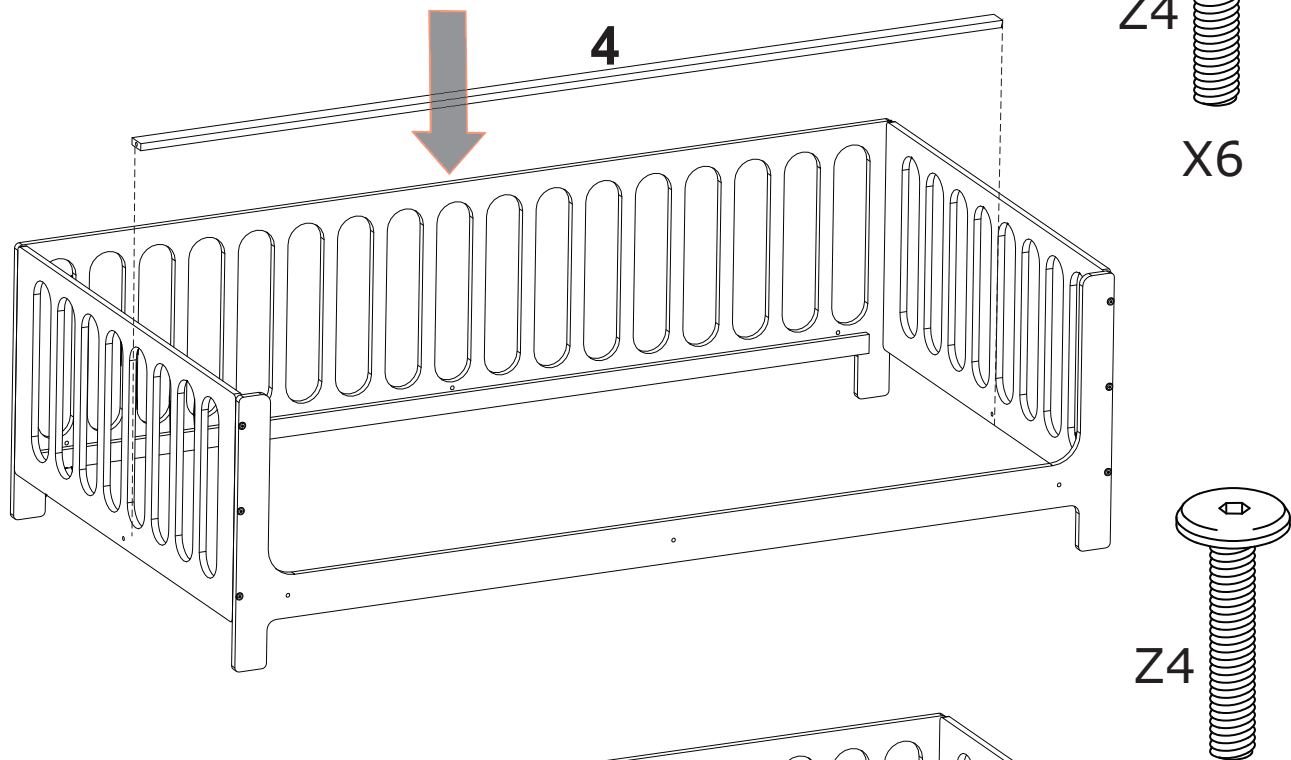




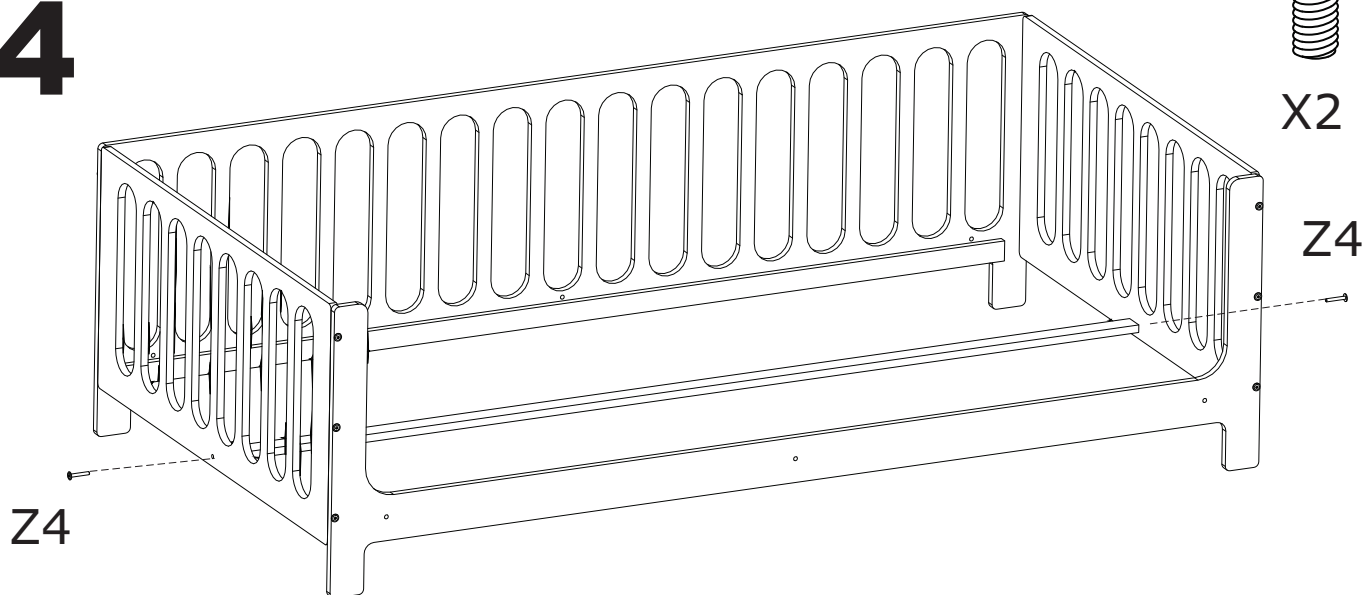
2



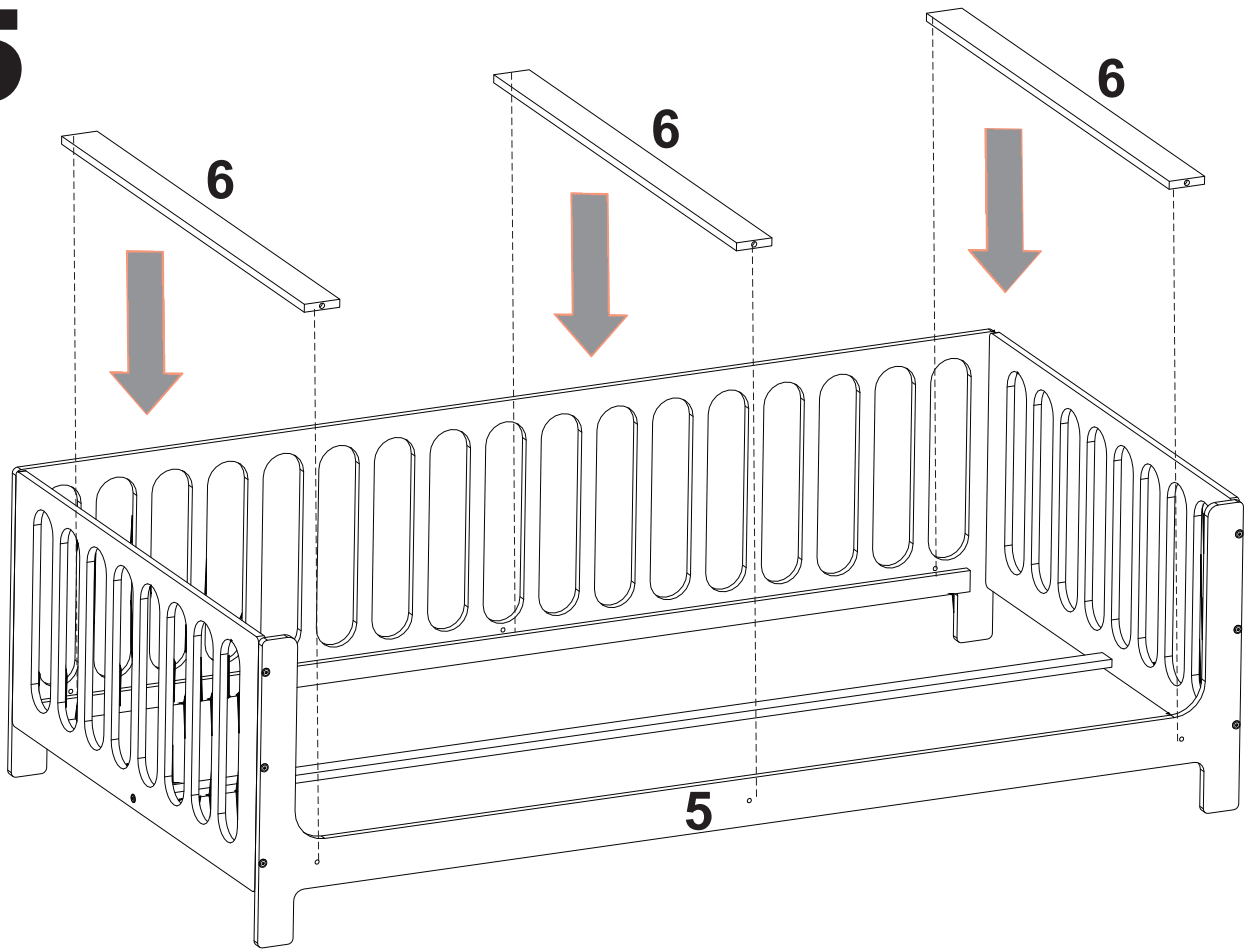
3



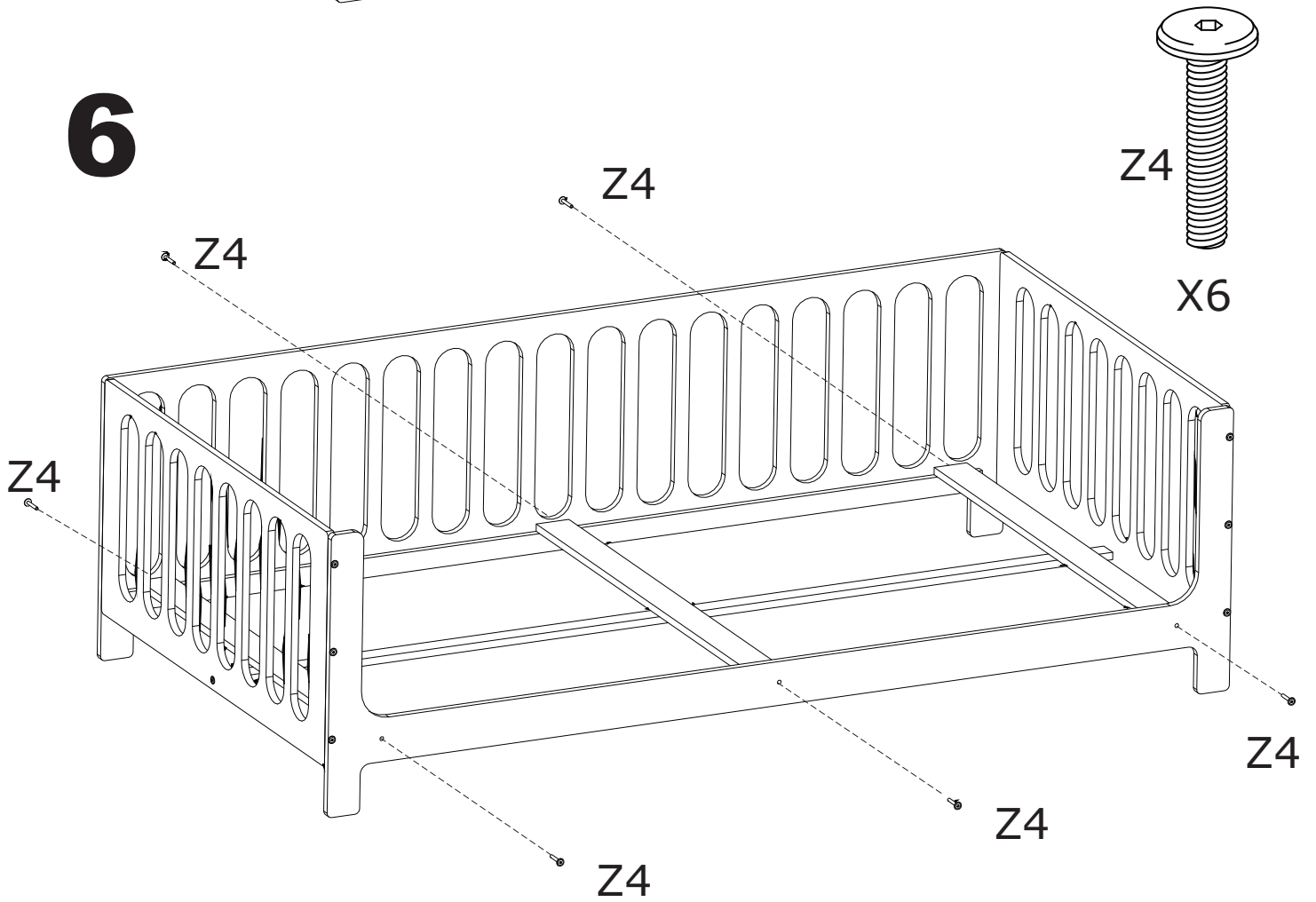
4



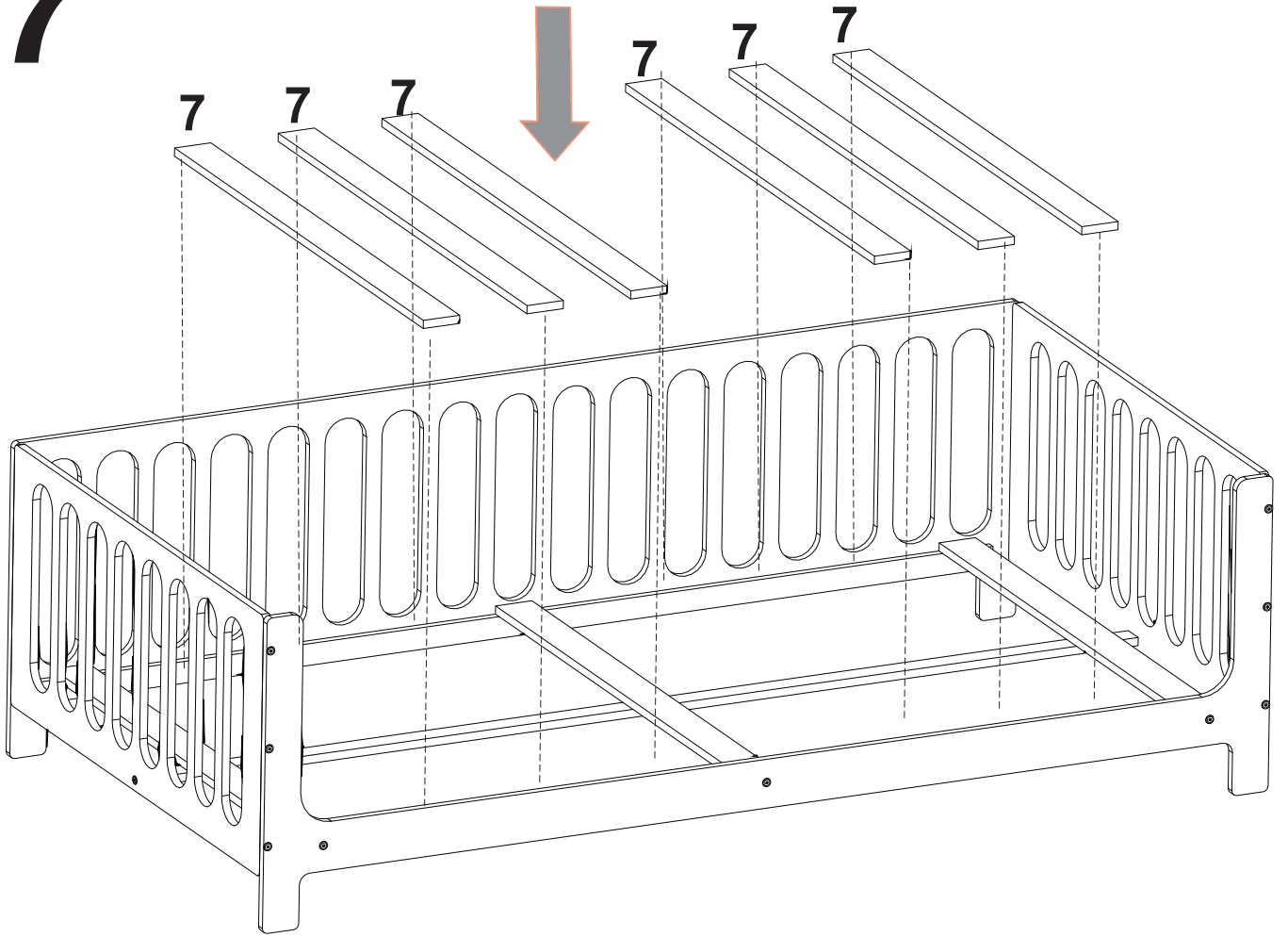
5



6



7



8

