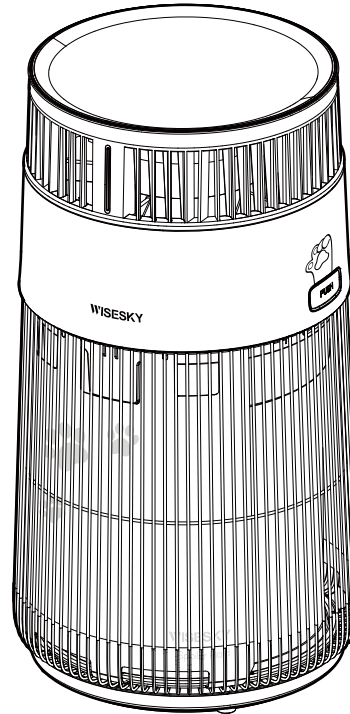


# WISESKY

## Air Purifier

### USER MANUAL



## W-Cat

WS360 Series

**We're  
here to help!**

Email: [support@wisesky.com](mailto:support@wisesky.com)

Mon – Fri, 9:00 am–5:00 pm PST/PDT

Read and save these instruction before use

# CONTENTS

01	Packaging List	1
02	Important Safety Instruction	2
03	Product Introduction	4
04	Installation Guide	6
05	Daily Operation	7
06	APP Operation	9
07	Filter Purchase	10
08	Product Maintenance	11
09	Fault Handling	12
10	Product Accessories	13
11	Technical Specifications	14
12	Quality Assurance	15

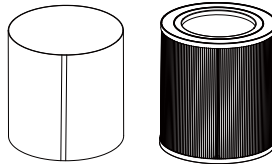
# 01/ PACKAGING LIST

This manual applies to the following models: WS360 Series

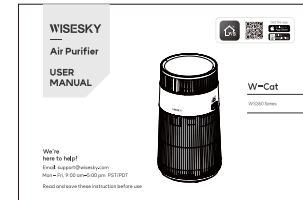
## A Purifier Machine



## B Filters(inside the product)



## C Product Manual



**Note:** The appearance of the product in the manual (including but not limited to color) and the information content on the APP page (including but not limited to product image text) shall be subject to the actual product.

# 02/

## IMPORTANT SAFETY INSTRUCTION

Thank you for purchasing the high-performance WISESKY air purifier. Please download the mobile application before use to access the full functionality of this product.

Before using this product, please read the product manual carefully and keep it properly for future reference.

This product is manufactured in accordance with *ANSI C63.4 & 47 CFR PART 15B, ISO/IEC Guide 17067* and complies with all applicable standards and regulations related to exposure to electromagnetic fields.

### CAUTION

- Before installing, maintaining or repairing the equipment, the power supply must be disconnected!
- If the power cord and the plug are damaged or the plug is too loose after insertion, please do not use it, otherwise it may cause electric shock, short circuit, fire and other accidents.
- Please do not damage, break, excessively bend, stretch, twist, tie, overload, or crush the power cord, otherwise it may cause electric shock, short circuit, fire and other accidents.
- If the power cord is damaged, it must be replaced by a technical service center or repair personnel to avoid danger.
- Only single-phase AC power can be used, otherwise it may cause fire, electric shock and other accidents.
- Do not modify, disassemble or repair by non-repair personnel, otherwise it may cause fire, electric shock, injury. Please contact the technical service center for repair.
- When replacing the filter, moving or cleaning the machine, be sure to turn off the power and unplug the power cord plug.
- Do not unplug the power cord plug with wet hands, otherwise it may cause electric shock and injury.
- When pulling the plug, be sure to grip the plug and not pull the power cord hard, otherwise it may cause electric shock, short circuit, fire and other accidents.
- If it is not used for a long time, the power plug must be unplugged, otherwise the insulation performance may decrease, which can cause electric shock, leakage, fire and other accidents.
- Children should operate air purifiers under adult supervision.
- Please move the air purifier on a flat surface to prevent falling.
- Do not use air purifiers in high humidity environments, as this may affect the life of the air purifier.
- Air purifiers are designed for indoor use only. Please avoid placing them in locations where they may be affected by outdoor environment such as rainwater.

- Do not place the machine near areas with high humidity, such as bathrooms or humidifiers, as it may become damp and cause electric shock or malfunction.
- Please leave enough space in front of the equipment during installation to facilitate maintenance and repair.
- To ensure smooth and quiet operation, please place the equipment on a stable and level surface.
- Please regularly clean the dust on the plug, as accumulated dust may cause dampness and electric leakage, resulting in accidents such as fire and electric shock.
- Do not use in areas with heavy oil smoke, as this may cause cracks in the paint.
- Do not use gasoline, paint thinner, or other solvents to clean, and do not spray insecticides on the machine, as this may cause cracks in the paint, electric shock, fire, and other accidents.
- Do not let the machine inhale flammable gases, incense, or other sources of sparks, as this may cause fires and other accidents.
- Please do not insert fingers or foreign objects into the air inlet and outlet, as this may cause electric shock and other accidents.
- When the purifier is not in use for a long time, please seal the filter in a bag for storage; using it in high humidity environments will reduce the filter's lifespan; air filtration in environments with persistent and highly concentrated stable pollution emissions will significantly reduce the lifespan of the filter.
- When a new firmware version is released, the device will automatically update over the internet without user intervention. After the upgrade process is complete, the device will automatically resume its working state.
- This appliance is not intended for use by persons (including children) with reduced physical, sensory or mental capabilities, or lack of experience and knowledge, unless they have been given supervision or instruction concerning use of the appliance by a person responsible for their safety. Children should be supervised to ensure that they do not play with the appliance.

## **IMPORTANT INSTRUCTIONS READ AND SAVE THESE INSTRUCTIONS**

This appliance has a polarized plug (one blade is wider than the other). To reduce the risk of electric shock, this plug is intended to fit in a polarized outlet only one way. If the plug does not fit fully in the outlet, reverse the plug. If it still does not fit, contact a qualified electrician. Do not attempt to defeat this safety feature.

Unplug or disconnect the appliance from the power supply before servicing.

To Reduce The Risk Of Fire Or Electric Shock, Do Not Use This Fan With Any Solid-State Speed Control Device.

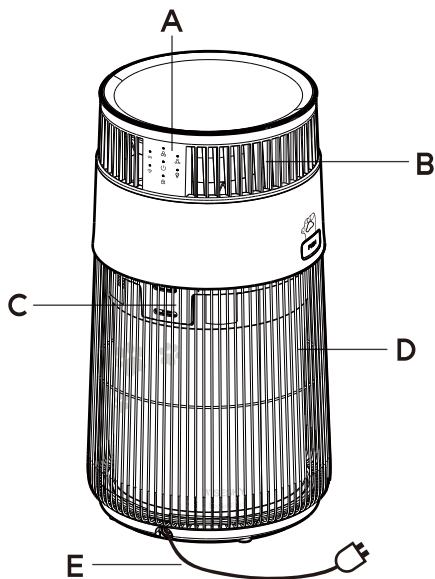
WARNING: To Reduce The Risk Of Fire, Electric Shock Or Injury To Persons, Do Not Use Replacement Parts That Have Not Been Recommended By The Manufacturer (e.g. Parts Made At Home Using A 3D Printer).

## **READ AND SAVE THESE INSTRUCTIONS**

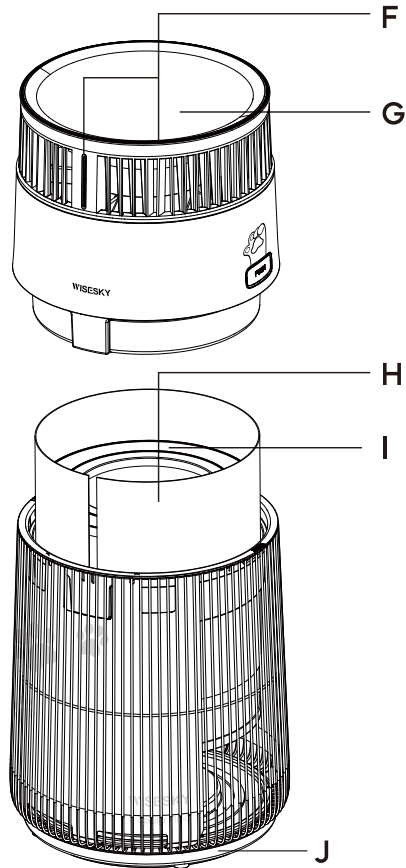
# 03/

## PRODUCT INTRODUCTION

The WISESKY air purification products are based on innovative technology, providing efficient air purification while fully considering the user experience, and striving to reduce the impact on the environment and energy consumption. Using a WISESKY air purifier can not only help improve the air quality of your home environment, but also give you and your family a brand new experience. For the best results, please install the filter correctly according to the manual and place the device in the space you need to purify.



- A. Operation panel:** Rear touch panel to prevent cats from accidentally touching it.
- B. Air outlet:** Backward centrifugal vortex design, 360° soft air outlet.
- C. Air quality sensor:** PM2.5 and TOVC sensor dual monitor 24/7.
- D. Side air inlet:** Plasticized iron mesh, sturdy and scratch-resistant 360° visual display, accelerated spoiler plaid design effectively adhesion floating fur in the air.
- E. Power cord:** Anti-bite split design, no bitters.



**F. Air quality indicator:** Real-time AQI and fan speed display, blue: good, orange: moderate, red: poor.

**G. Top of the machine:** Cat ergonomic design, scratch and wear resistant, comfort seat & anti-urine

**H. Pre-filter:** Multi-gradient filtration of electrostatic material: 360° ring-around design, effectively adhering to the floating hairs and lint.

**I. WiseHEPA™:** Removes cat allergen and 99.97% of 0.1 micron particles.

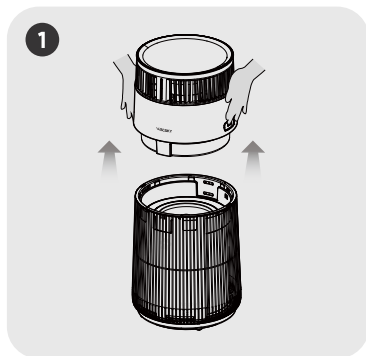
**J. Machine base:** High stability rubber feet.

# 04/ INSTALLATION GUIDE

Install the filter before first use.

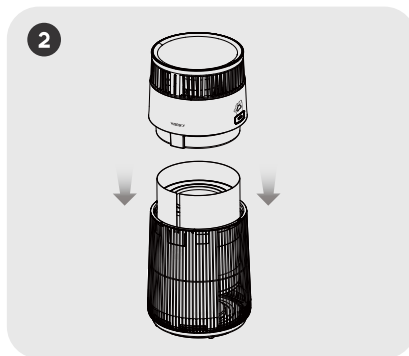
## CAUTION

Make sure the device is turned off before installing the filter and that the Wi-Fi network is working properly. After installing the filter, power on the device to register it on the network.



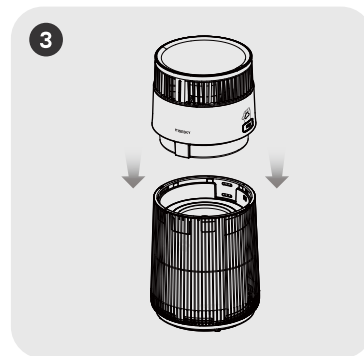
### Open the filter compartment

Press the PUSH grooves on both sides of the machine with both hands at the same time and lift the upper part of the machine upwards to open the filter compartment.



### Insert the filter

Load the filters with the PE bags removed into the filter compartment in order.



### Close the filter compartment

Support the front panel with both hands, push it away from your body to close the filter compartment.



# 05/

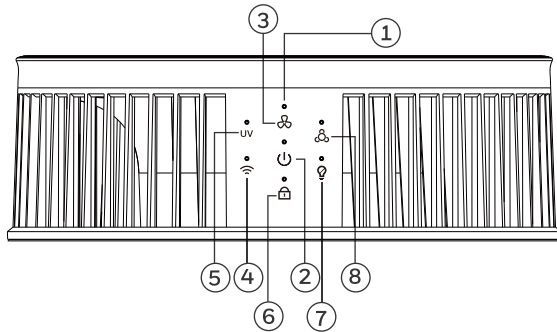
## DAILY OPERATION

### CAUTION

Please confirm that the filter has been correctly installed in the filter compartment, the product is stably placed on a flat surface, and it is reliably connected to the power supply.

Before connecting the product to the power source, first make sure that the voltage indicated on the bottom matches the local voltage. There should be at least 30cm of space reserved around and above the product. Do not place the product near curtains or close to the wall.

### Control Panel



1. Indicator Display

2. Power On/Off

3. Fan Speed

4. Wi-Fi

5. UV

6. Child Lock/Filter Reset

7. Light Off

8. Anion

## Function button

### Power On/Off

Touch the power icon to turn on/off the device. The fan speed icon displays (brightness at 100%), initial AQI aperture displays in orange color, and the fan speed operates at the first gear.

### Child Lock/Reset Filter

Long press for 3 seconds to enable/disable the child lock. When the child lock is activated, all other button operations are invalid.

**Filter reset button:** The "Filter" icon flashes, and the AQI display blinks in green breathing mode, reminding the user to replace the filter. Long press for 10 seconds to perform a filter reset.

\*If there is no filter warning, long press for 10 seconds to force a filter reset.

### Light Off

Touch the icon to turn off lamplight, the product's working mode remains unchanged, but all icons and LED indicators are turned off. The "💡" indicator and the AQI light panel display at 50% brightness. Press any button briefly to exit the night mode. Press the power button briefly to exit the night mode (without turning off the device directly).

### Fan Speed

Touch the icon to adjust the fan speed (quiet, low, medium, high). The fan speed level is indicated by dividing the top AQI aperture into four equal parts, displayed in green color. After 5 seconds of inactivity, it will switch to real-time AQI air quality display.

### UV

Long press for 3 seconds to activate/deactivate the UV disinfection function. When the UV mode is activated, it runs for a duration of 120 minutes. After the specified time, the UV mode automatically turns off, and the corresponding UV indicator icon goes off.

### Wi-Fi

Long press for 3 seconds to enable Wi-Fi connection. If the network setup is unsuccessful, the indicator light will flash at a frequency of 1 second. Once the network setup is successful, the indicator light will remain steady.

### Anion

Long press for 3 seconds to enable/disable this function. When entering the night mode, if the negative ion mode is already enabled, it will continue to operate, and the corresponding anion indicator icon will be turned off.

# 06/

## APP OPERATION

1

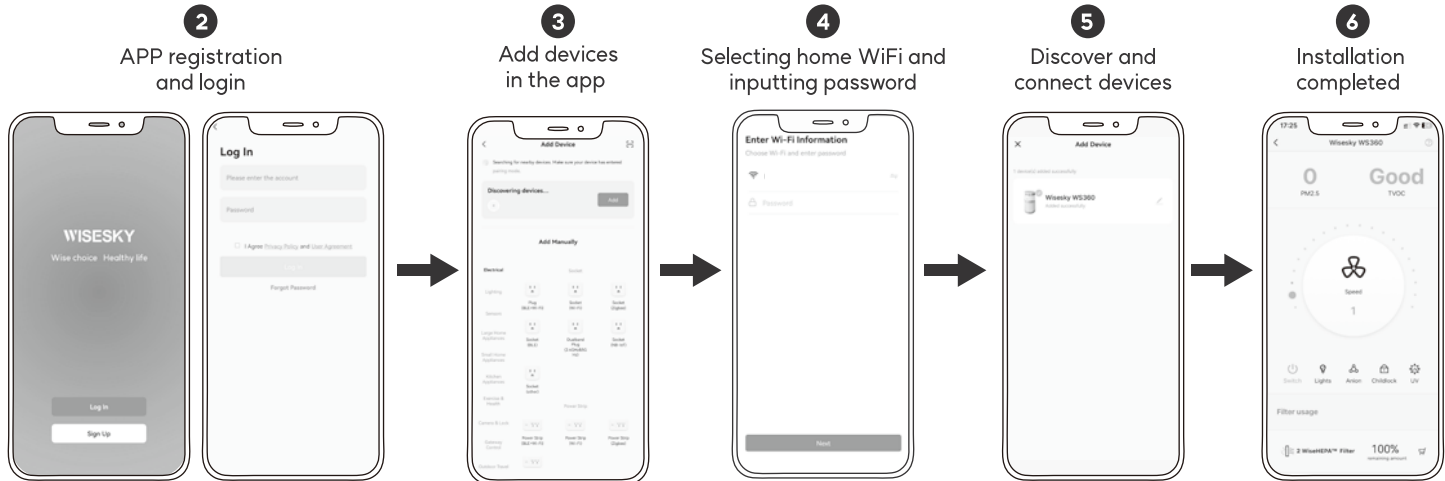


Get the app

Download on the App Store

GET IT ON Google Play

It is recommended to turn on Bluetooth for quick connection when the product is connected to the network.



### CAUTION

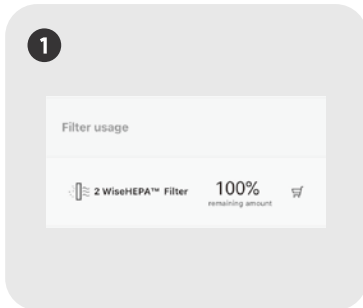
- \* Long press the "📶" for 3 seconds to turn on the machine's WiFi, then enter the app to add a device.
- \* Locate and select your WiFi network on the app page, make sure to input the correct password; please choose 2.4GHz network for the WiFi.

# 07/

## FILTER PURCHASE

### CAUTION

The device can automatically recognize the filter life and remind users to purchase filters in advance through corresponding indicator light flashing.



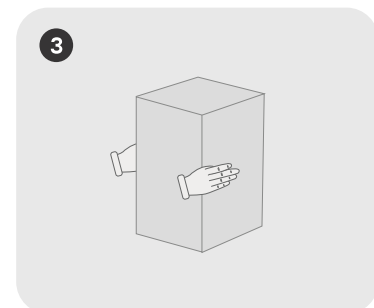
#### 1 Identify

Go to the device control interface in the app to view the filter usage status.



#### 2 Purchase

To purchase the filter, please go to [www.wisesky.com/Wisesky APP/](http://www.wisesky.com/Wisesky APP/) Amazon



#### 3 Receipt of goods

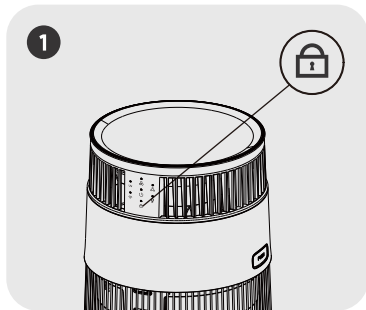
Confirm that the color and number of the outer package of the filter are consistent with the order received.

# 08/

## PRODUCT MAINTENANCE

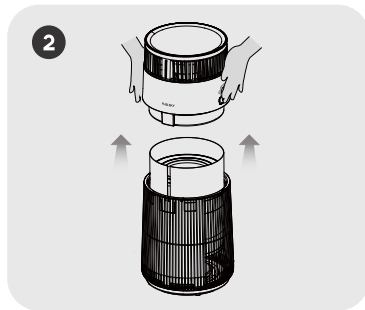
### CAUTION

- \* Only product maintenance and/or repairs can be carried out when power is disconnected. Only the pre-filter can be washed with water or removed with a vacuum cleaner to remove dust, other filters cannot be cleaned this way.



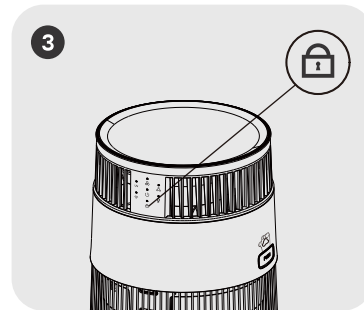
#### Filter replacement reminder

If the "Child Lock/Filter Reset" indicator light on the display panel is flashing (red), it indicates that the product filter needs to be replaced.



#### Installation of the filter

Turn off the device power and follow the diagram to open the filter compartment. Remove the old filter and replace it with a new one.



#### Filter replacement confirmation

After replacing the filter, long press the "Child Lock/Filter Reset" button for 10 seconds to reset the filter. The filter replacement indicator light will turn off to indicate the reset.

**⚠ CAUTION**

In the case of the fault warning light being lit constantly, refer to the following processing methods.

**1 Fault Confirmation**

Refer to the table of common fault types and handling methods for routine processing.

FAULT STATUS	POSSIBLE REASONS	HANDLING METHODS
The control panel is unresponsive	Power supply issues or the product's filter compartment is not securely fastened	Check the power connection and confirm that the filter compartment is securely closed
The product generates excessive operating noise	The device is not placed on a level surface or the filter is not properly in place	Place the product on a level surface and re-confirm the filter assembly position and sequence
The product operates normally, but the air volume is significantly reduced	The air outlet is blocked by foreign objects Or the filter is not replaced in time	Please rearrange the placement to ensure optimal space utilization and verify if the prompt instructs you to replace the filter
The AQI indicator ring is flashing red, indicating a malfunction	Motor or sensor malfunction	Please contact our helpful customer support team
The product can't be registered or the device can't be connected to the network	Network malfunction or the cloud service platform is in maintenance mode	Please verify the local network connection, ensure internet access is normal, or wait for the cloud service platform maintenance to finish.
The filter warning light is constantly on	The filter has reached its expiration	Please replace the filter

**2 Technical Support (Email: [support@wisesky.com](mailto:support@wisesky.com))**

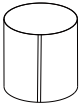

If you can't find a solution to your problem from the above mentioned resources, please contact our helpful customer support team.

# 10/

## PRODUCT ACCESSORIES

### CAUTION

Due to the continuous updates of the product configuration, the accessories listed in the table below may not cover all the possible accessories that may be used now and in the future. If you want to know about accessory information, please consult the dealer or contact our helpful customer support team.

ACCESSORY LEGEND	ACCESSORY MODEL	FUNCTION DESCRIPTION	APPLICABLE MODEL
	WSP360	Pre- filter effectively removing hair and larger particles	WS360 Series Air Purifier
	WSF360	WiseHEPA™, filter 0.1µm particles	WS360 Series Air Purifier

# 11/

## TECHNICAL SPECIFICATIONS

Product name	Air Purifier WS360 Series
Product size	11.65x11.65x21.49in
Shipping size	13.78x13.78x25.20in
Product weight	12.30lb
Shipping weight	15.52lb
Rated voltage	100-240V, 50/60Hz
Rated input power	40W
Noise	53dB(max)
Pollen**	234cfm
Dust**	221cfm
Smoke**	216cfm

For product maintenance and filter replacement/cleaning information, please refer to the user manual.

\*\*This indicator was obtained through testing specific particulates as the target pollutants under conditions of third-party laboratories.



WISESKY guarantees to the user, under normal use and maintenance, that this product is free from any defects in workmanship and materials from the date of purchase. If Wisesky determines, after evaluation, that such a defect or malfunction has occurred in such product, it will, at its sole option, repair or replace it and provide a lifetime warranty.

**The warranty terms of this product do not apply in the following circumstances:**

1. You cannot provide proof of purchase.
2. Product damage or malfunction caused by failure to follow the instructions in the product manual.
3. Damage or defects caused by unauthorized service providers or individuals other than WISESKY performing service or repairs on the product.
4. Damage or defects caused by accidents, misuse, abuse, or improper maintenance.
5. Product malfunctions or damage caused by forces of nature such as floods, fires, lightning, earthquakes, and other unforeseeable events.

WISESKY shall not be liable for any indirect, incidental, or consequential damages arising from the use of the product covered by this warranty. This warranty is only applicable to the original consumer purchaser of the product and is non-transferable to any subsequent owners, regardless of whether the product is within the warranty period or not.

This warranty does not apply to products purchased from unauthorized resellers.

WISESKY's warranty only applies to products purchased from authorized resellers who have undergone WISESKY's quality control and agreed to abide by its quality standards.



All implied warranties are limited to the duration of this limited warranty.

This warranty gives you specific legal rights, and you may also have other rights that vary from state to state. Some states do not allow the exclusion or limitation of incidental or consequential damages, so the above limitations or exclusions may not apply to you.

If you discover any defects in the product , please contact WISESKY's customer support department at **support@wisesky.com** . Do not attempt to handle your product before contacting us. Once our customer support team approves your request, please return the product along with printed copies of the invoice and warranty card.

**This limited quality warranty only applies to the product host and does not cover easily damaged or consumable parts such as packaging, manuals, and consumables.**

Product Name	
Product Code	
Product SN code	
For your own reference, we strongly recommend that you record your order ID and purchase date, email .	
Purchase date	
Order ID	
Email	

**We're here  
to help!**

If you have any questions or concerns about your new product, please contact our helpful customer support team.

 Email: [support@wisesky.com](mailto:support@wisesky.com)

 [www.wisesky.com](http://www.wisesky.com)

Mon – Fri, 9:00 am–5:00 pm PST/PDT

