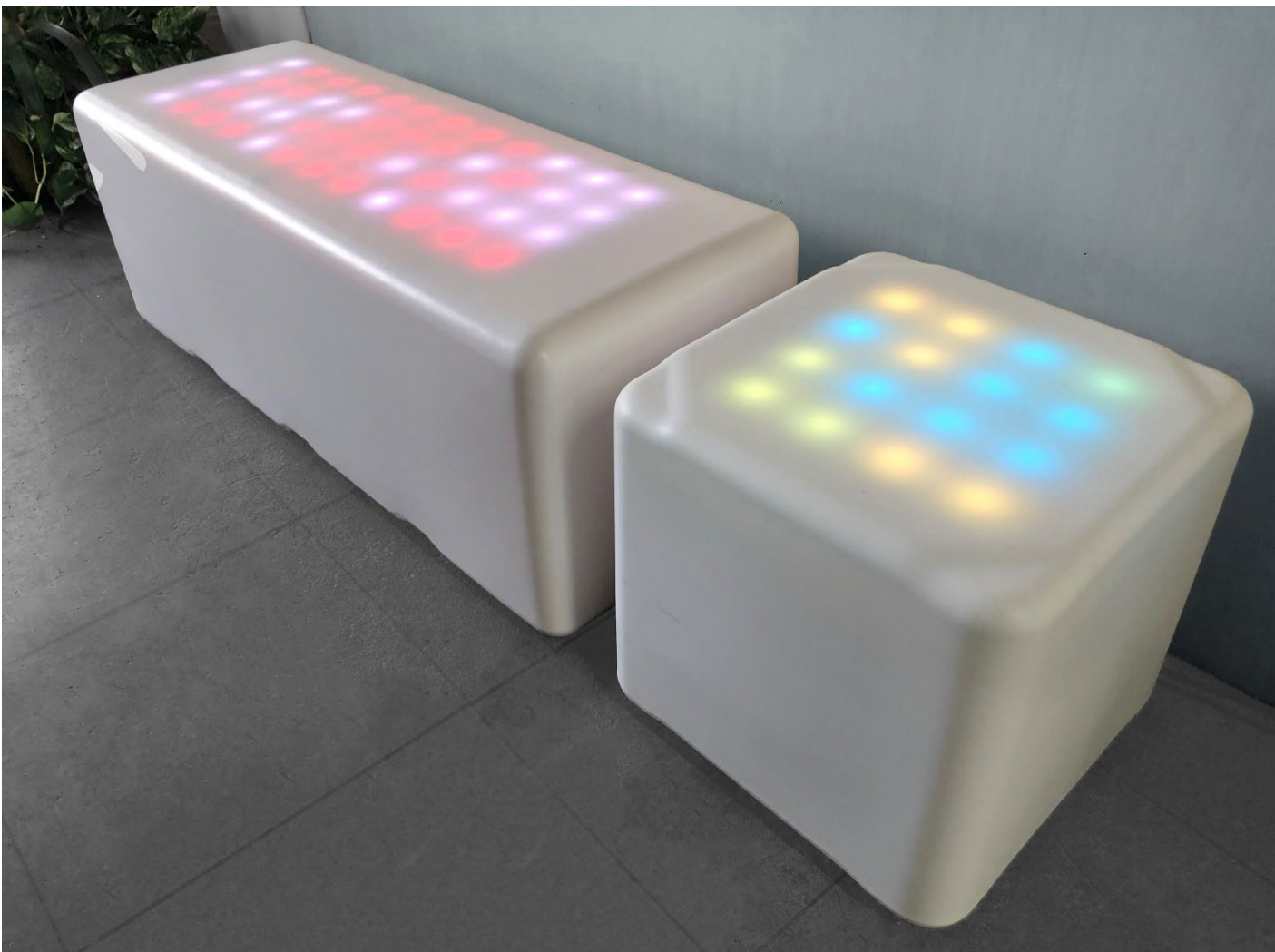


SPARKLE Bench



Installation Guidelines

NunoErin®

CUSTOMER SERVICE / ASSISTANCE
+1 601.994.0023 support@nunoerin.com
info@nunoerin.com www.nunoerin.com

Product Specifications

Product Name:
47" Sparkle Bench
Model: SPSB-ECO-47
Dimensions: 47" x 18 x 16.5"

Materials Specifications

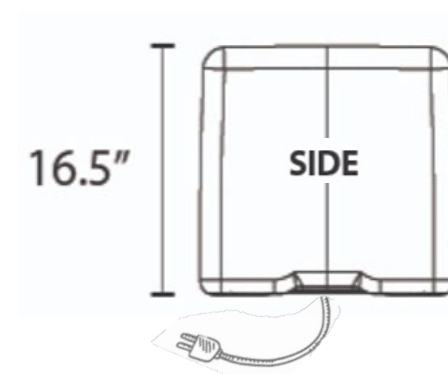
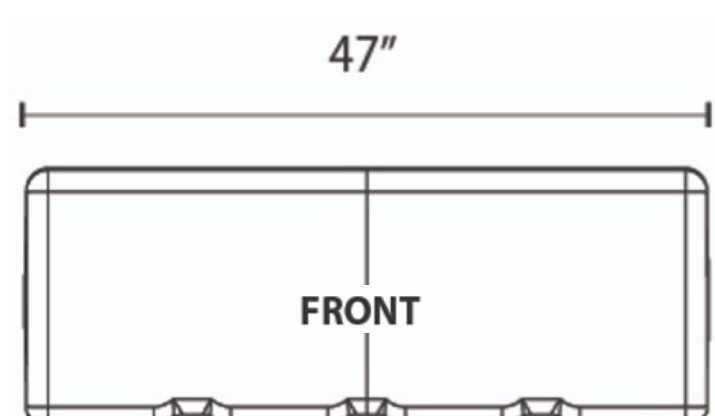
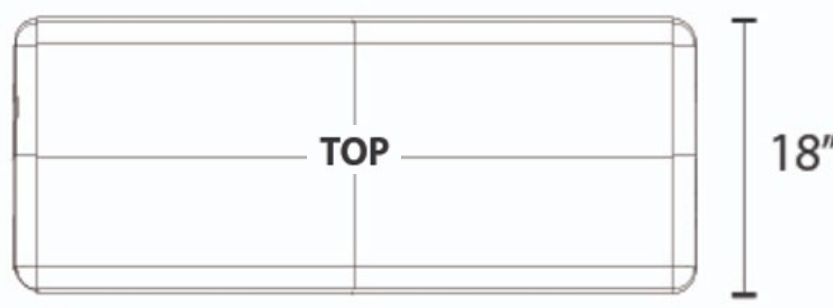
Display: 48 Full Spectrum LED Lights
Touch: 48 Capacitive Touch Sensors
Material: Translucent Polyethylene (Rotational Molded)
Color: White
Base: 4 Rubber Feet
Weight: 55 lbs..

Electrical – Power

Power Cord: USA 3-Pin Plug, NEMA 5-15P, 16 AWG, 6 feet.
Power supply / AC Input:
Voltage Range: 90 ~ 264 VAC
(Universal AC Input / Full Range)
Rated Current: 1A



IS 18859(Part 2)Dec13
LPS IP67 R-41027766 c us **FRI CB CE**



SPARKLE Bench



PLUG AND PLAY

Place the Sparkle product in the desired location and plug the power cord into a nearby standard electrical outlet. The power cord is located on the bottom and can extend out of any side.

When the Sparkle Panel is powered on, it will flash a pattern for approximately 10 seconds while calibrating to the ambient conditions, then the interactive programs will begin to play. Exposure to natural light may diminish the brightness of the LEDs.

Stainless steel bracket kit available to anchor the bench to the floor.

CLEANING AND MAINTENANCE

Spray with soap and water or a multi-surface cleaner and wipe using a soft cloth as needed. Recommended cleaners include Dawn Dish Soap with water, Formula 409, Fantastik, Windex, or Scrubbing Bubbles. For disinfecting, use 9:1 water to bleach ratio or hydrogen peroxide and wipe dry using a soft cloth. Do not use strong acidic or solvent based cleaners, such as methyl-chloride or acetone.

ELECTRICAL

This product is for use on a nominal 100-220V circuit and must be plugged into an appropriate outlet that is properly installed and grounded in accordance with all local codes and ordinances.

NOTE: IMPROPER CONNECTION OF EQUIPMENT GROUNDING CONDUCTOR CAN RESULT IN A RISK OF ELECTRIC SHOCK. Check with a qualified electrician or serviceman if you are in doubt as to whether the product is properly grounded. Do not modify the plug provided with the product or if it will not fit the outlet, have a proper outlet installed by a qualified electrician.

INSTALLATION OF NUNOERIN PRODUCTS: Installation of all NunoErin is solely the responsibility of the builder, contractor, interior design and décor vendor, or the Customer. NunoErin has no control over the installer or the installation process and will not be responsible for any installations that are not done in a good, workmanlike manner, that do not follow NunoErin installation recommendations noted in the Product Literature or that fail to conform to electrical codes. NunoErin assumes no responsibility for such compliance. Consult your local building code officials for specific requirements.

Note: No NunoErin representative, dealer or salesperson is authorized to assist in the measurement of installation of NunoErin Products in the field. Customers are advised to obtain the proper measurements, specifications and sizes only from their builder, designer or engineer. Accordingly, any assistance provided in the field by a NunoErin representative should not be relied upon and will not be binding upon NunoErin in any form or fashion. NunoErin shall not be liable in any form of measures from incorrect measurements or specifications made in the field, irrespective of whether a NunoErin representative was involved in the process.

NunoErin.

533 Commerce Street
Jackson, MS 39201 USA

O: 01.601.944.0023 Customer Service: support@nunoerin.com

Confidential Information © NunoErin.

 **SPARKLE**