



42" Ucreate Dining Table with Wood Legs



Installation Guidelines

NunoErin

CUSTOMER SERVICE / ASSISTANCE

+1 601.994.0023 support@nunoerin.com

info@nunoerin.com www.nunoerin.com

Product Specifications

Product Name:

42" Ucreate Table Top with Wood Legs

Model: UCTA-WOD-4230

Dimensions: 42" x 24" x 30"

Materials Specifications

Display: 27", FHD 1920x1080

Touch: 10 Touch-Points, 27" PCAP

Glass: 6mm Tempered Glass anti-glare/scratch coating

Frame: Aluminum, wood veneer water transfer printing

Support / Wood Legs: Solid Birch

Back: Aluminum, PC Wht., RoHS

Temperature: Operation 0~50C - Storage -20 / 60C

Weight: 98 lbs

Electrical - Power

Power Cord: NEMA plug style 5-15, Length 6' AMPS 13 cord with 0.3125", cord type SJT, 3PCS



Input Characteristics

Rated Voltage: 100Vac ~ 240Vac

Rated Frequency: 50 ~ 60Hz

Input Current: <2.0A

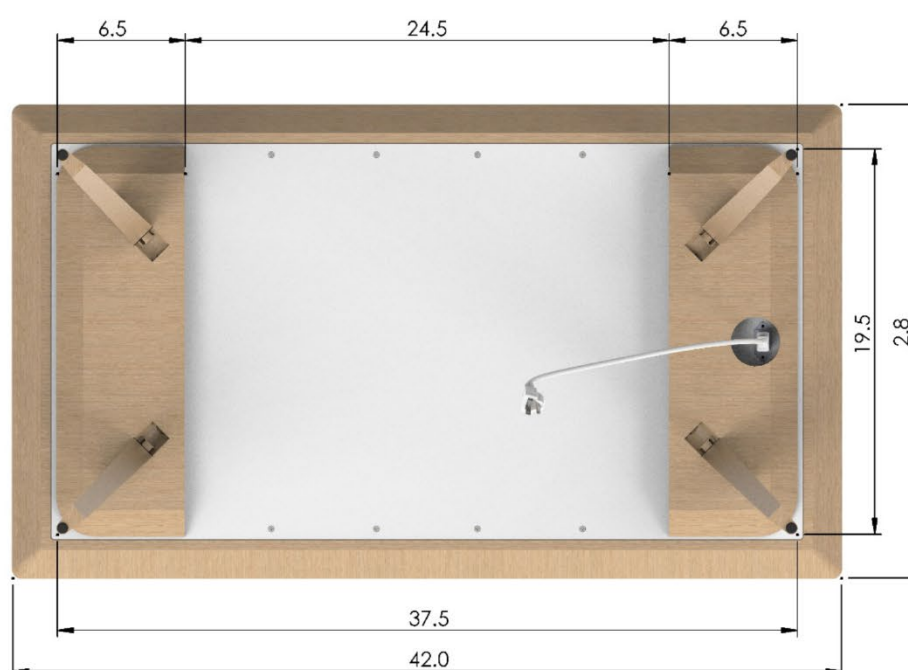
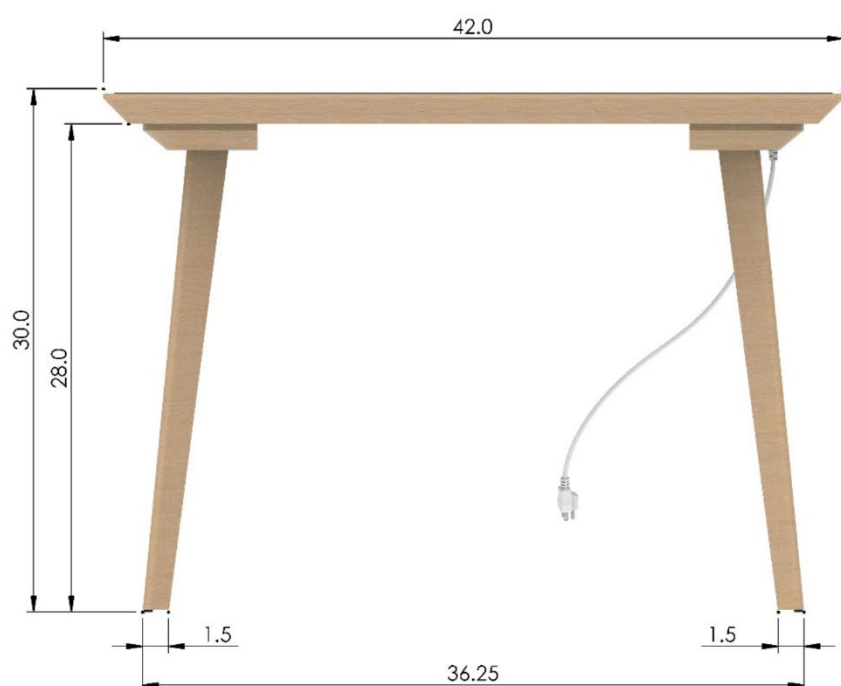
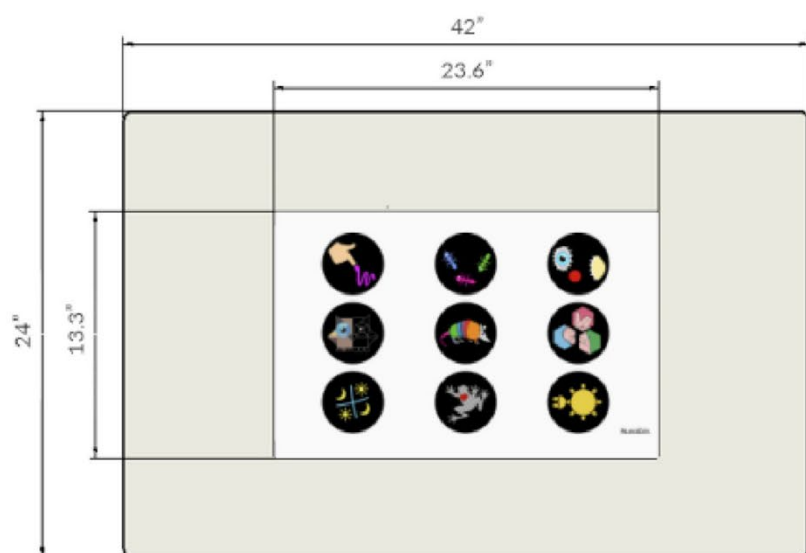


Power Cord located in white foam packaging

Caution: Unit is heavy

Two people are required to safely install this unit

Please read all instructions completely prior to installing

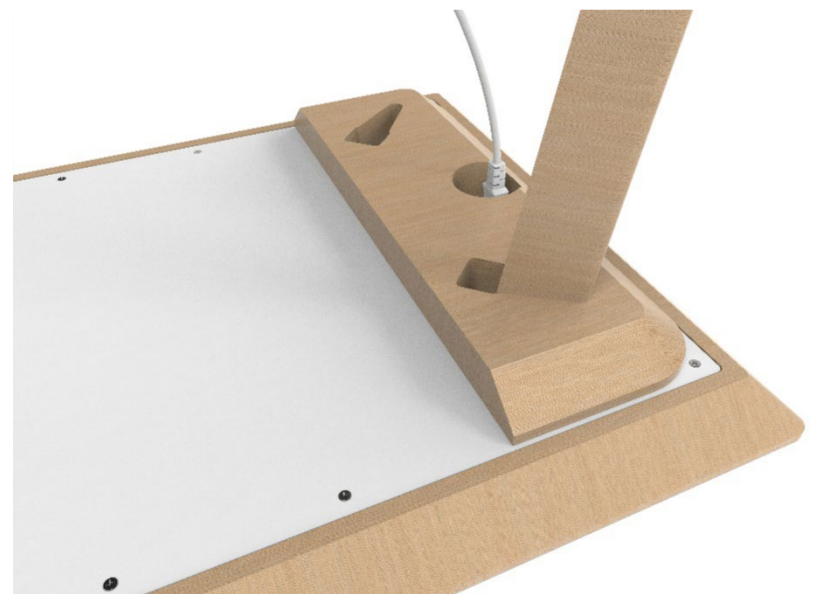
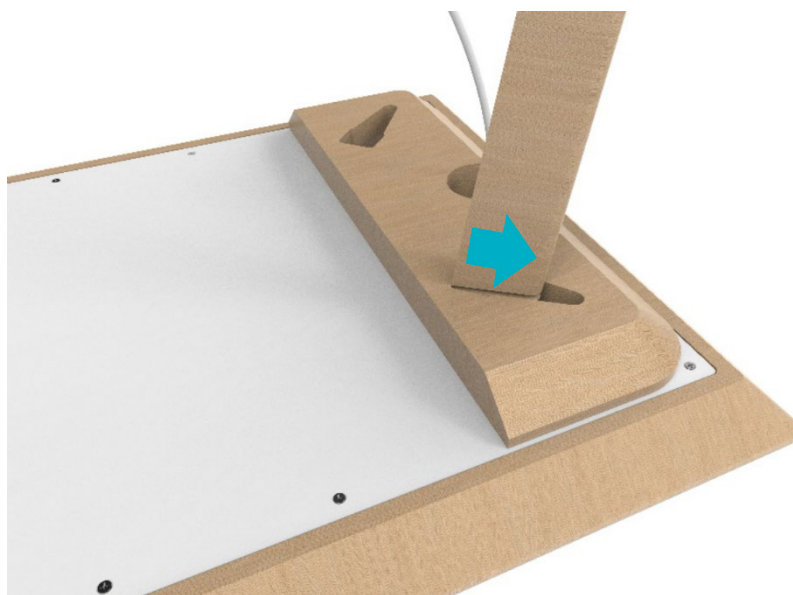


- 1 Place the Tabletop on a soft surface to view the base.

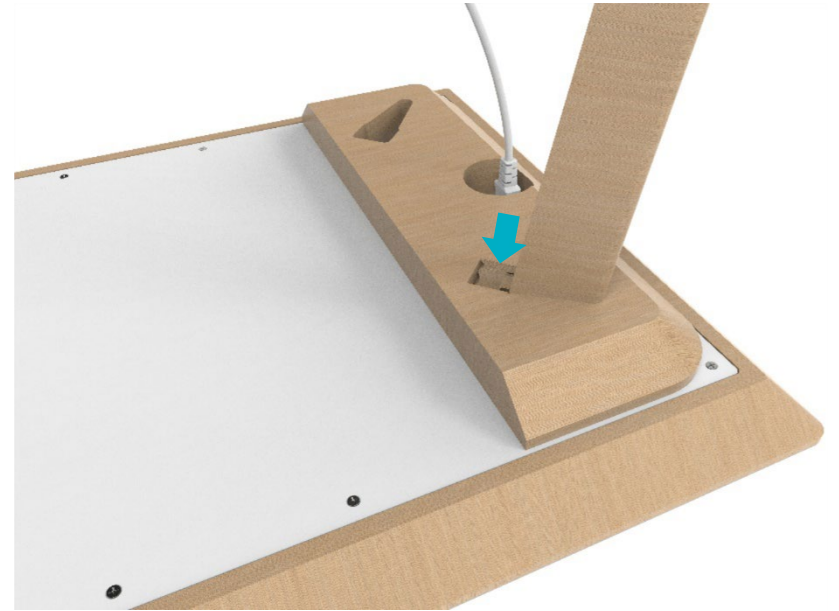
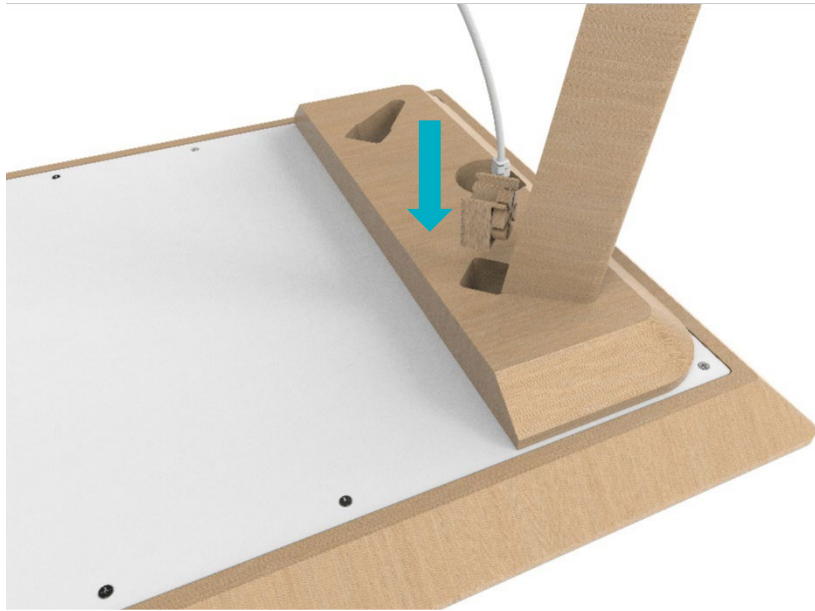
Plug the connector-end of the Power Cord securely into the receptacle through the access hole in the wood support on the base of the tabletop.



- 2 Place the Leg into the wedge dowel groove and slide it to lock in place.



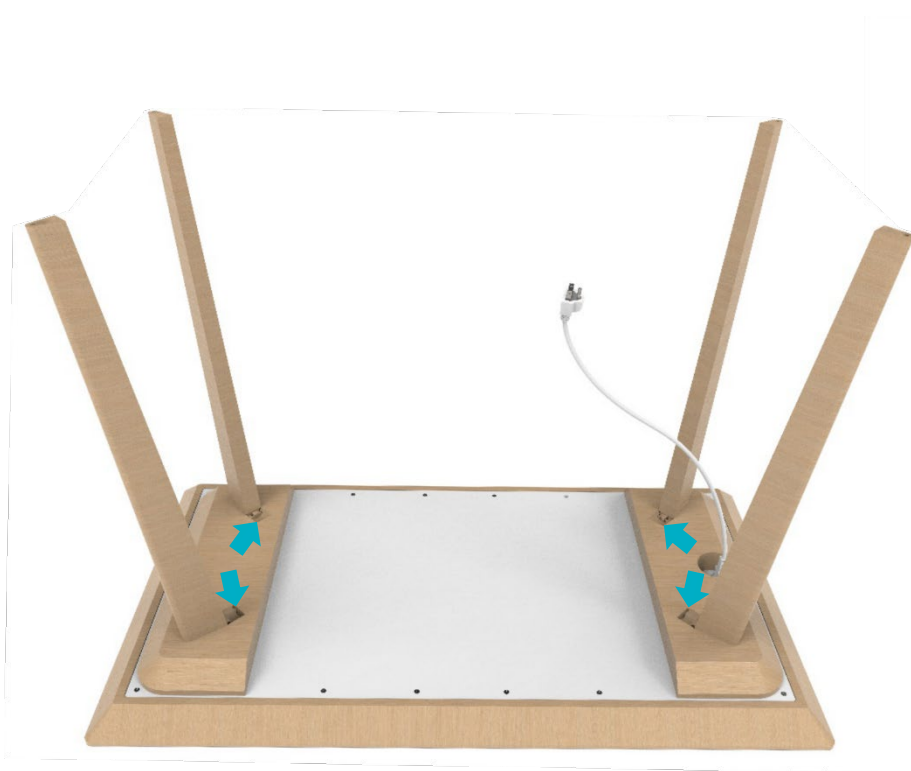
- 3 Place the Wedge into the groove to lock the Leg into place.



- 4 Perform steps 2 and 3 on the remaining Legs to lock in place.

- 5 Carefully lift and gently flip the Table over to stand on all four Legs. Finally, plug the other end of the Power Cord into a nearby electrical outlet for power.

NOTE: At least two people recommended to help lift table





42" Ucreate Dining Table with Wood Legs



CLEANING AND MAINTENANCE

Spray with a multi-surface cleaner and wipe using a soft cloth as needed.

Recommended surface cleaners include Fantastik household cleaner, Formula 409 household cleaner, a neutral detergent or isopropyl alcohol with a min 70% concentration.

DO NOT USE ANY KIND OF CHEMICAL SOLVENT, ACIDIC OR ALKALI SOLUTION.

For disinfecting, Sani-Cloth® AF3 Germicidal Disposable Wipes, Steris Coverage Plus® and Clorox Healthcare® Hydrogen Peroxide Cleaner Disinfectant Wipes are also recommended.

DO NOT USE STRONG ACIDIC OR SOLVENT BASED CLEANERS, SUCH AS METHYL-CHLORIDE OR ACETONE.

Note: If the touchscreen is not working correctly, please unplug the power cord to turn the unit off, wait one minute, and then plug back in to turn the unit back on to clear the RAM. If this does not resolve the issue, please contact customer support for assistance. Please see contact information below.



ELECTRICAL

This product is for use on a nominal 100-220V circuit and must be plugged into an appropriate outlet that is properly installed and grounded in accordance with all local codes and ordinances.

NOTE: IMPROPER CONNECTION OF EQUIPMENT GROUNDING CONDUCTOR CAN RESULT IN A RISK OF ELECTRIC SHOCK. Check with a qualified electrician or serviceman if you are in doubt as to whether the product is properly grounded. Do not modify the plug provided with the product or if it will not fit the outlet, have a proper outlet installed by a qualified electrician.

INSTALLATION OF NUNOERIN PRODUCTS: Installation of all NunoErin is solely the responsibility of the builder, contractor, interior design and décor vendor, or the Customer. NunoErin has no control over the installer or the installation process and will not be responsible for any installations that are not done in a good, workmanlike manner, that do not follow NunoErin installation recommendations noted in the Product Literature or that fail to conform to electrical codes. NunoErin assumes no responsibility for such compliance. Consult your local building code officials for specific requirements.

Note: No NunoErin representative, dealer or salesperson is authorized to assist in the measurement of installation of NunoErin Products in the field. Customers are advised to obtain the proper measurements, specifications and sizes only from their builder, designer or engineer. Accordingly, any assistance provided in the field by a NunoErin representative should not be relied upon and will not be binding upon NunoErin in any form or fashion. NunoErin shall not be liable in any form of measures from incorrect measurements or specifications made in the field, irrespective of whether a NunoErin representative was involved in the process.