



## 42" Ucreate Table Top



# Installation Guidelines

### Product Specifications

**Product Name:**  
 42" Ucreate Dining Table (Metal Legs)  
**Model:** UCTT-ANG-42  
**Dimensions:** 42" x 24" x 2"

**Power Cord located in white foam packaging**  
 Caution: Unit is heavy  
 Two people are required to safely install this unit  
 Please read all instructions completely prior to installing

### Materials Specifications

**Display:** 27", FHD 1920x1080  
**Touch:** 10 Touch-Points, 27" PCAP  
**Glass:** 6mm Tempered Glass anti-glare/scratch coating  
**Frame:** Aluminum, wood veneer water transfer printing  
**Back:** Aluminum, PC Wht., RoHS  
**Temperature:** Operation 0~50C - Storage -20 / 60C  
**Table top weight:** 83 lbs.

### Electrical - Power

**Power Cord:** NEMA plug style 5-15, Length 6'  
 AMPS 13 cord with 0.3125", cord type SJT, 3PCS



**Input Characteristics**  
**Rated Voltage:** 100Vac ~ 240Vac  
**Rated Frequency:** 50 ~ 60Hz  
**Input Current:** <2.0A



### PARTS INCLUDED



**8**  
 .25-20 x .75 long,  
 Phillips Pan Head  
 screws



**8**  
 .3125 inside dia.  
 Flat Washers

### PARTS NOT INCLUDED



**8**  
**Floor Bolts**  
 appropriate for  
 floor surface type

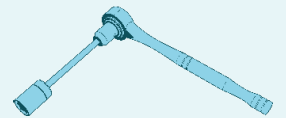


**2**  
**Table Legs**  
 3 tabs on each Leg  
 (1) Leg with Access Panel  
 (1) Leg without Access Panel

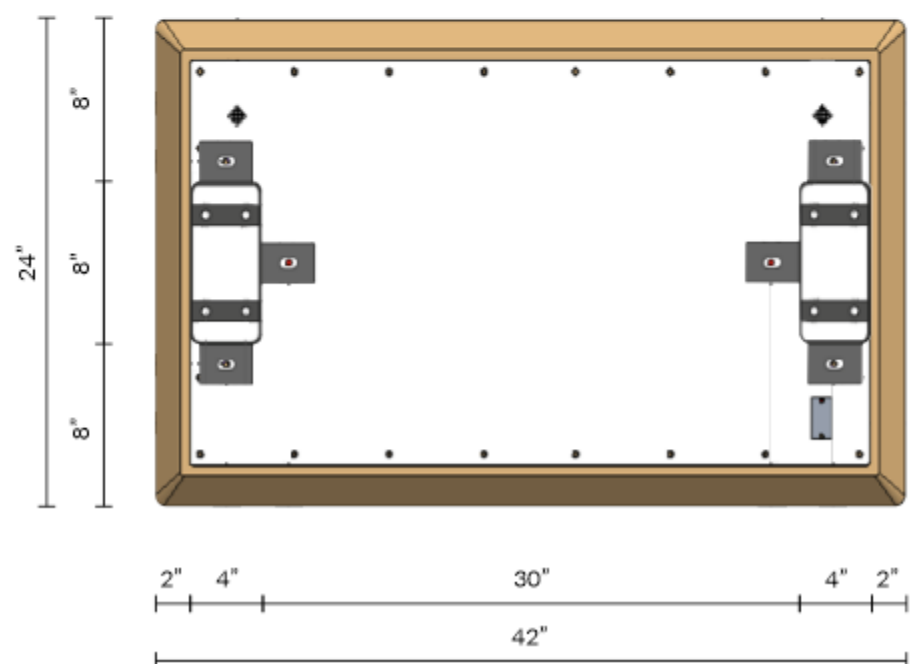
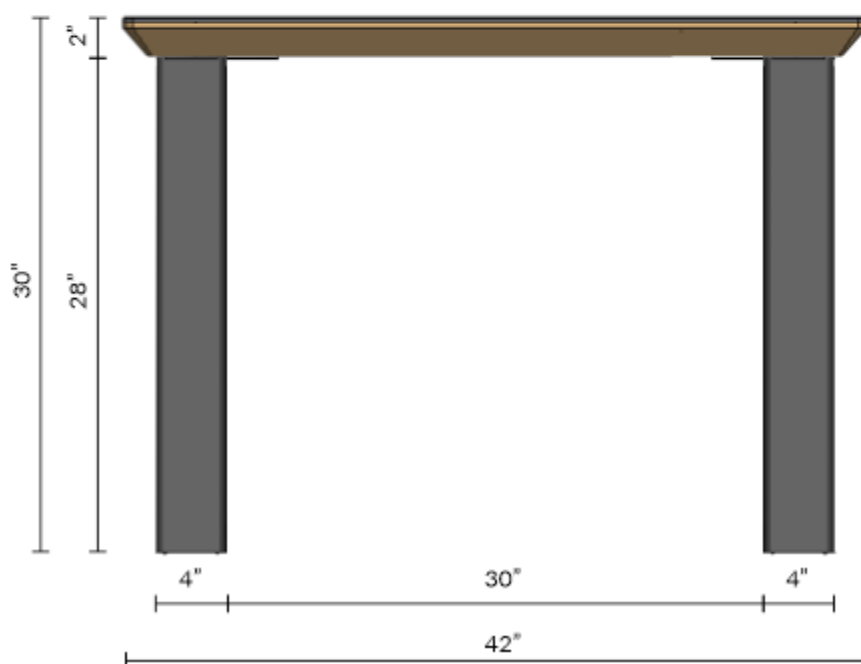
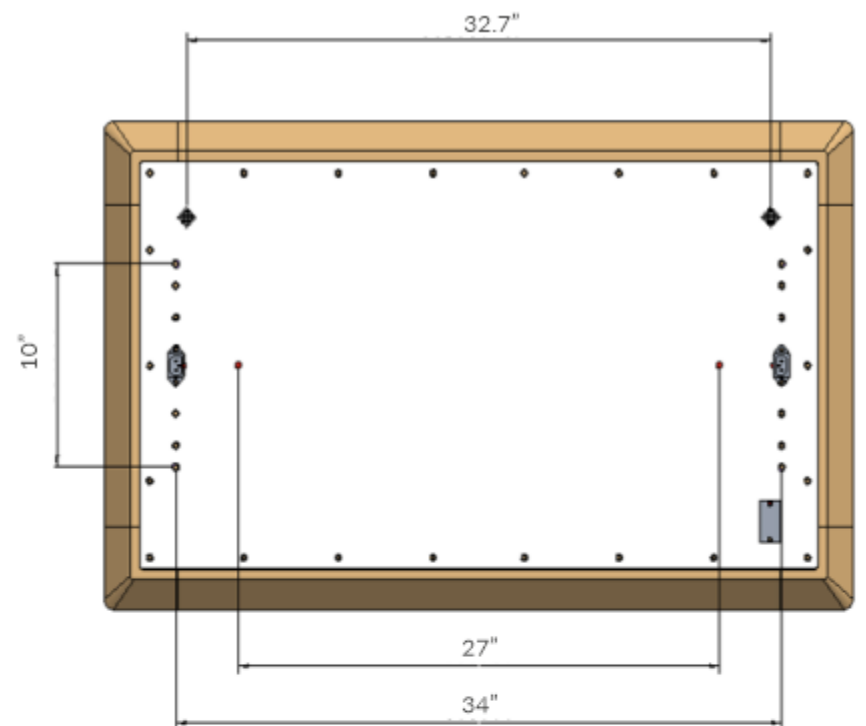
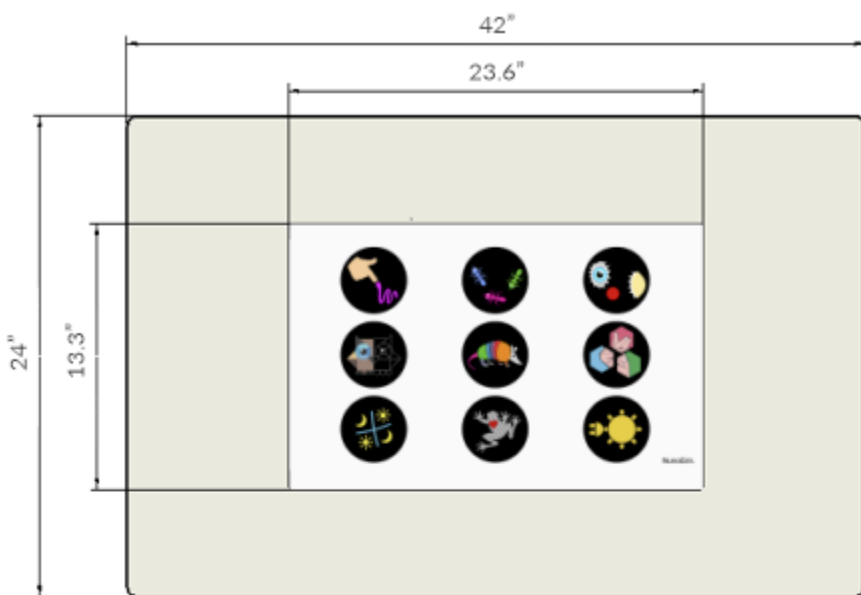
### TOOLS TO USE



**1**  
**Phillips Head  
 Screwdriver**



**1**  
**Socket and Wrench**  
 appropriate for  
 floor bolt size

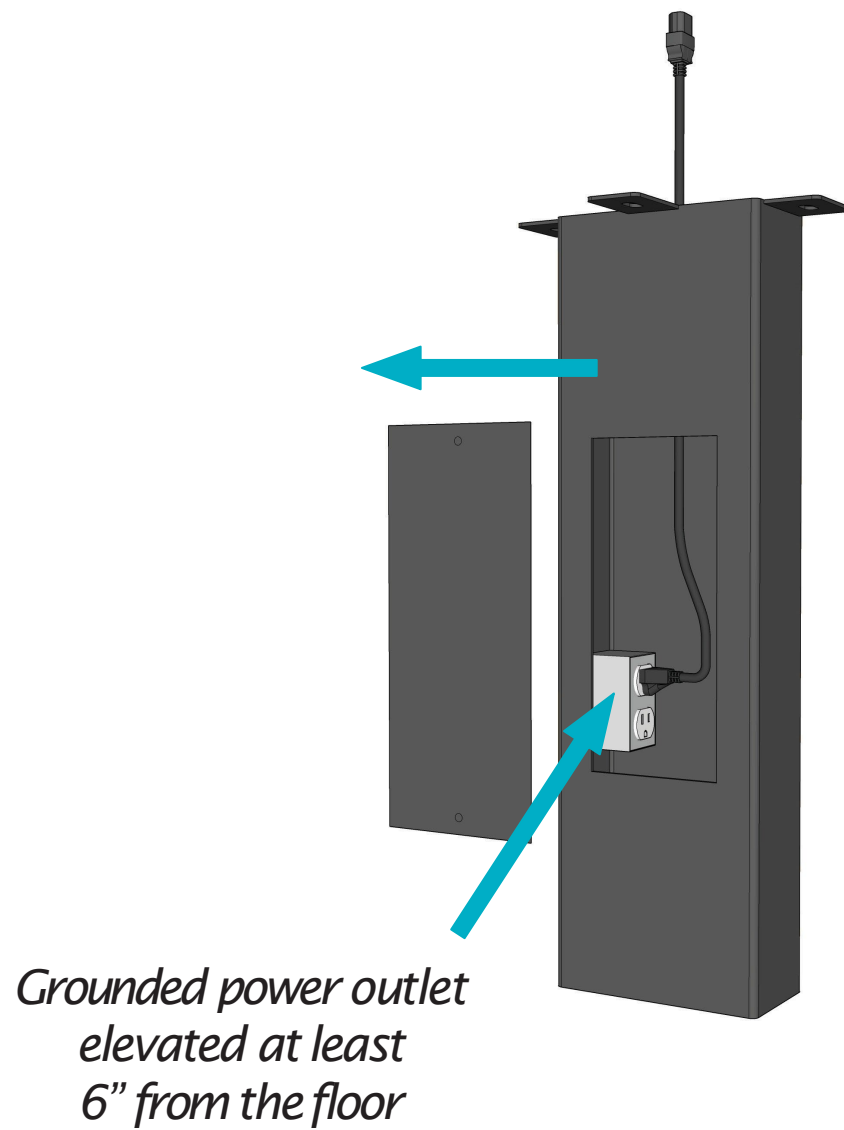


- 1 Prepare the site by installing a grounded power outlet inside one of the legs.

**NOTE:** Remove the electrical access panel on the leg.

Power will run up through the leg with the electrical access panel and connect to the base of the table.

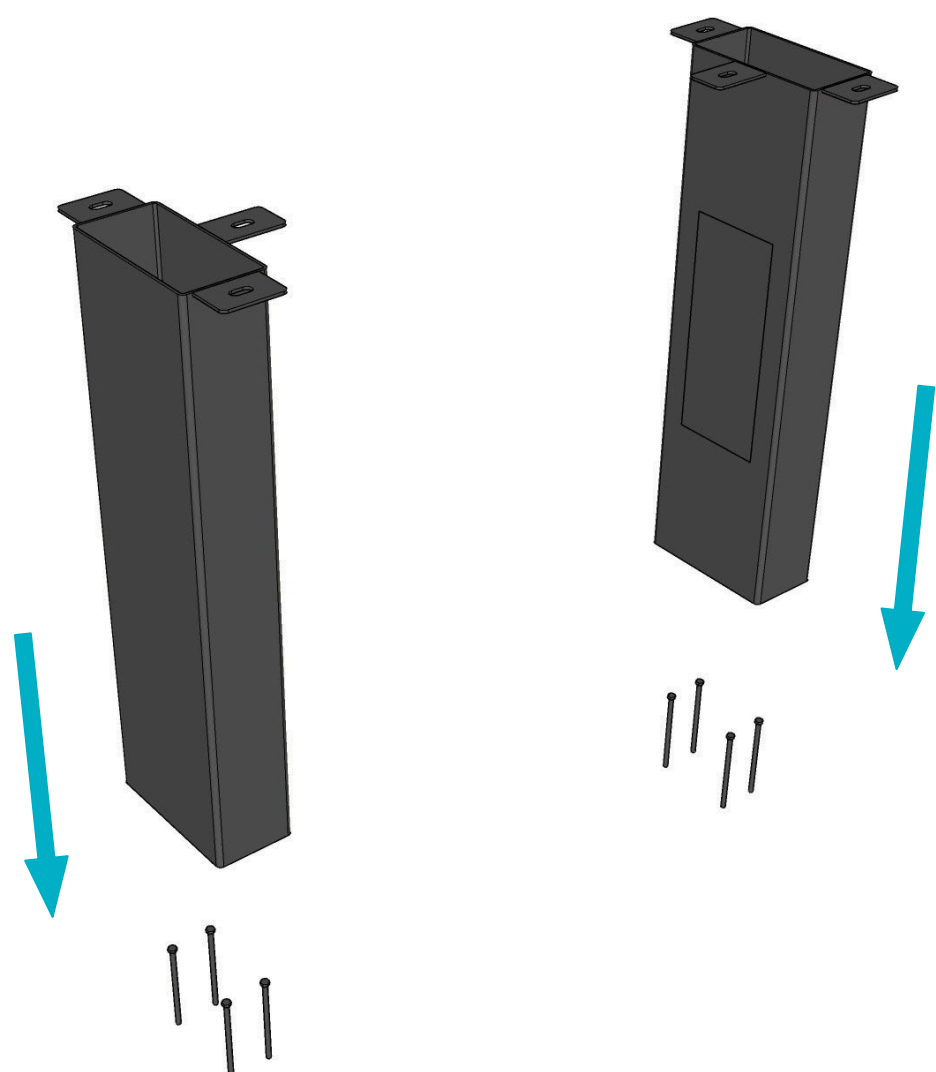
**NOTE:** The leg without an electrical access panel will be used for the leg without power.



- 2 Secure each leg to the floor with 4 anchor bolts corresponding to the holes in the base of each leg.

**NOTE:** 4 b3-1/4" Kwik Bolt 3 bolts are recommended.

Slide legs through anchor bolts and into place on floor.



- 3 Open plastic cover plate on base of table top that matches leg with electrical access panel.

A table top power receptacle will be revealed.

**NOTE:** Receptacles are installed on both sides of the table top. For safety, remove only one cover plate.

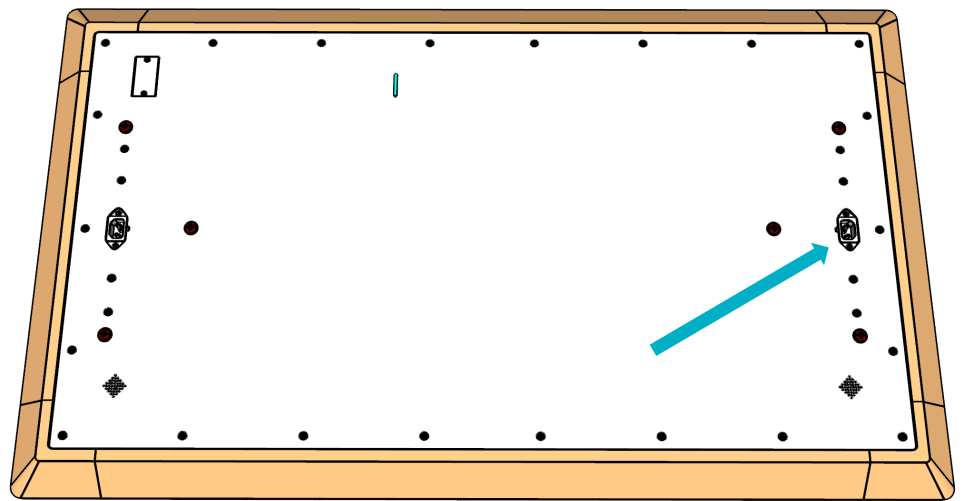


Table top  
power receptacle

- 4 Plug one end of the power cord securely into the receptacle on the base of the table top.

Ensure that the cord is fully threaded through the leg and firmly plugged into the grounded power outlet inside the leg.

**NOTE:** Reinstall the electrical access panel removed in Step 1.

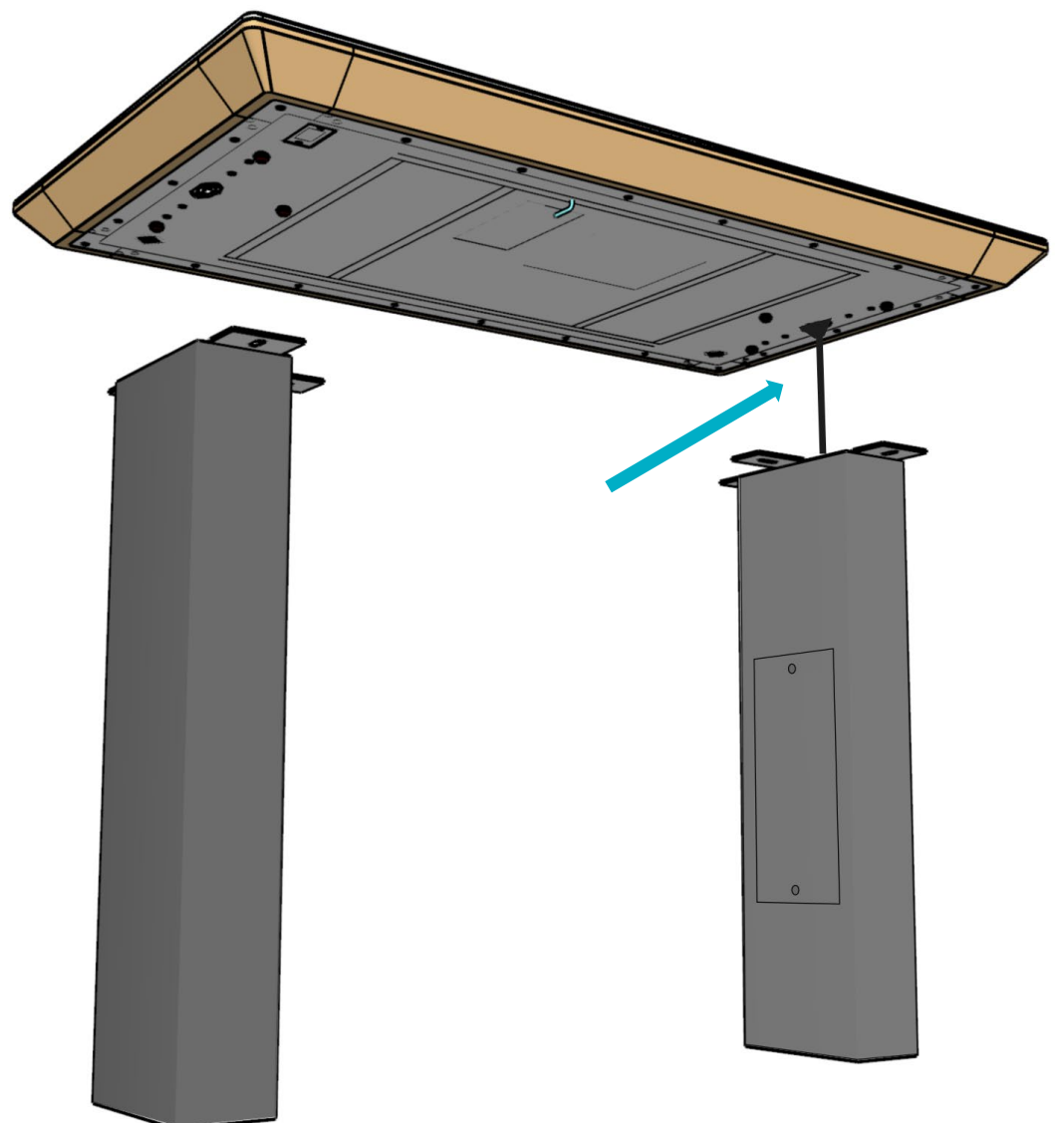
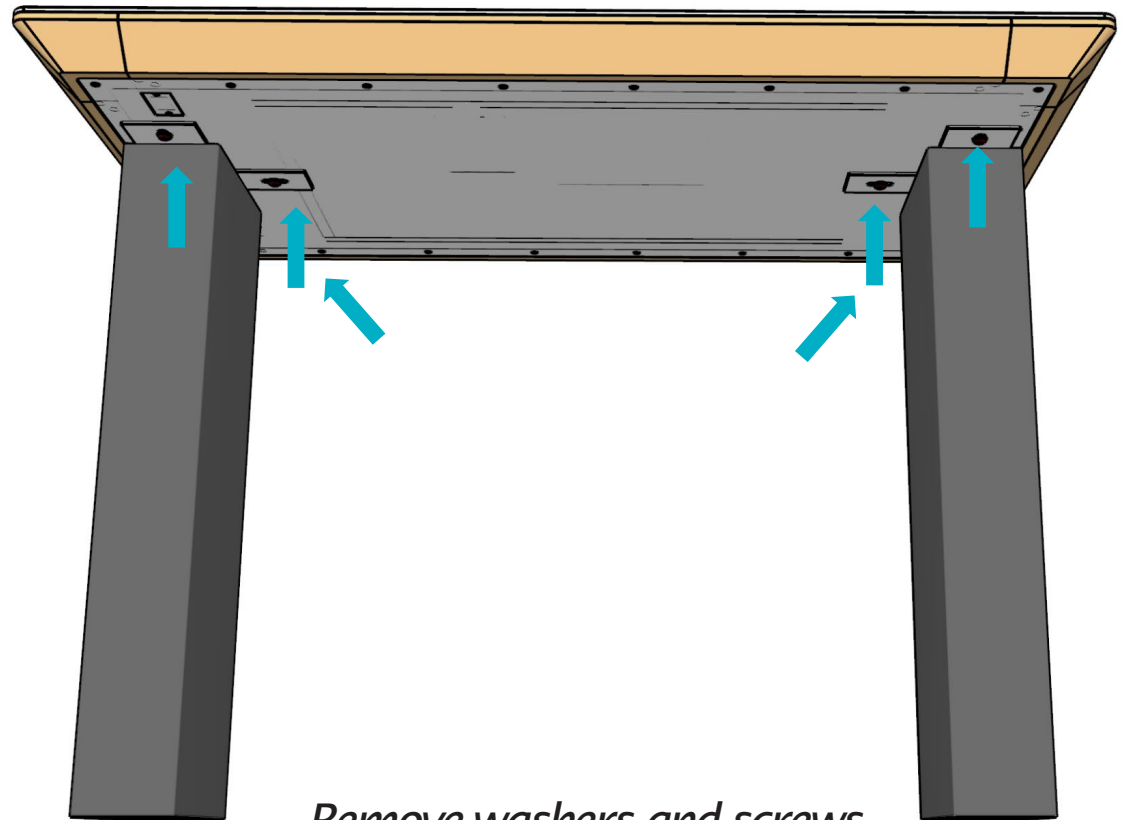


Table top  
power receptacle

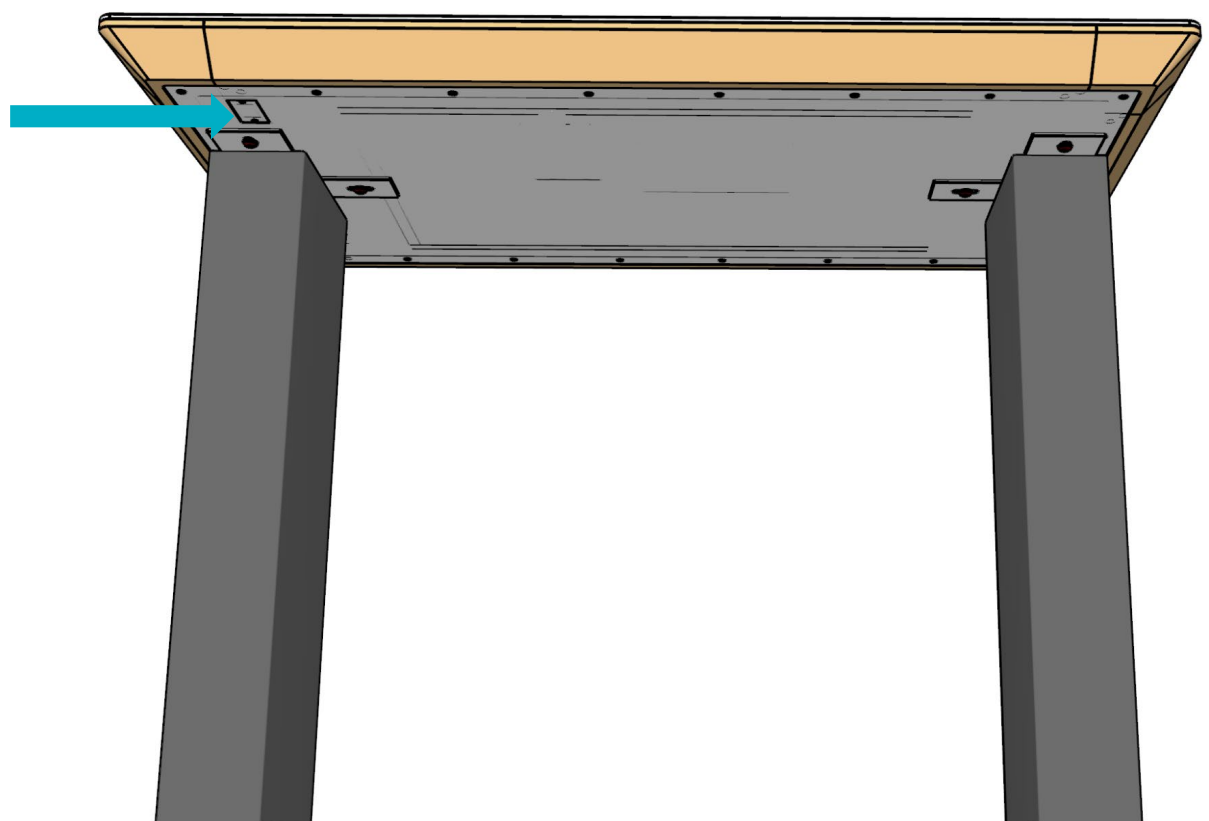
- 5 Remove the screws and washers from the base of the table top.



*Remove washers and screws from table top and align with tab holes on legs*

- 6 Align the table legs with the mounting holes on the base of the table top and secure with screws and washers.

**Note:**  
*Switch ON & OFF.*





## 42" Ucreate Table Top



### CLEANING AND MAINTENANCE

Spray with a multi-surface cleaner and wipe using a soft cloth as needed.

Recommended surface cleaners include Fantastik household cleaner, Formula 409 household cleaner, a neutral detergent or isopropyl alcohol with a min 70% concentration.

**DO NOT USE ANY KIND OF CHEMICAL SOLVENT, ACIDIC OR ALKALI SOLUTION.**

For disinfecting, Sani-Cloth® AF3 Germicidal Disposable Wipes, Steris Coverage Plus® and Clorox Healthcare® Hydrogen Peroxide Cleaner Disinfectant Wipes are also recommended.

**DO NOT USE STRONG ACIDIC OR SOLVENT BASED CLEANERS, SUCH AS METHYL-CHLORIDE OR ACETONE.**

**Note:** If the touchscreen is not working correctly, please open the access panel to locate the power switch, turn the unit off, wait one minute, and then turn back on to clear the RAM. If this does not resolve the issue, please contact customer support for assistance. Please see contact information below.



### ELECTRICAL

This product is for use on a nominal 100-220V circuit and must be plugged into an appropriate outlet that is properly installed and grounded in accordance with all local codes and ordinances.

**NOTE: IMPROPER CONNECTION OF EQUIPMENT GROUNDING CONDUCTOR CAN RESULT IN A RISK OF ELECTRIC SHOCK.** Check with a qualified electrician or serviceman if you are in doubt as to whether the product is properly grounded. Do not modify the plug provided with the product or if it will not fit the outlet, have a proper outlet installed by a qualified electrician.

**INSTALLATION OF NUNOERIN PRODUCTS:** Installation of all NunoErin is solely the responsibility of the builder, contractor, interior design and décor vendor, or the Customer. NunoErin has no control over the installer or the installation process and will not be responsible for any installations that are not done in a good, workmanlike manner, that do not follow NunoErin installation recommendations noted in the Product Literature or that fail to conform to electrical codes. NunoErin assumes no responsibility for such compliance. Consult your local building code officials for specific requirements.

**Note:** No NunoErin representative, dealer or salesperson is authorized to assist in the measurement of installation of NunoErin Products in the field. Customers are advised to obtain the proper measurements, specifications and sizes only from their builder, designer or engineer. Accordingly, any assistance provided in the field by a NunoErin representative should not be relied upon and will not be binding upon NunoErin in any form or fashion. NunoErin shall not be liable in any form of measures from incorrect measurements or specifications made in the field, irrespective of whether a NunoErin representative was involved in the process.