



27" Ucreate Tablet



# Installation Guidelines

CUSTOMER SERVICE / ASSISTANCE  
 +1 601.994.0023 support@nunoerin.com  
 info@nunoerin.com www.nunoerin.com

### Product Specifications

**Product Name:** 27" Ucreate Tablet

**Model:** UCTB-AAA-27

**Dimensions:** 26.5" x 16.2" x 2.3"

### Materials Specifications

**Display:** 27", FHD 1920x1080, 300cd/m2

**Touch:** 10 Touch-Points, 27" Capacitive-Touch

**Glass:** 6mm Tempered Glass anti-glare/scratch coating

**Frame, Back :** Aluminum, PC Wht., RoHS

**Mounting Wall Plate:** Stainless Steel-SECC, PC Wht., RoHS

**Temperature:** Operation: 0~50 C, Storage -20 / 60C

**Weight (Tablet & Mounting Plate):** 35lbs

### Electrical – Power

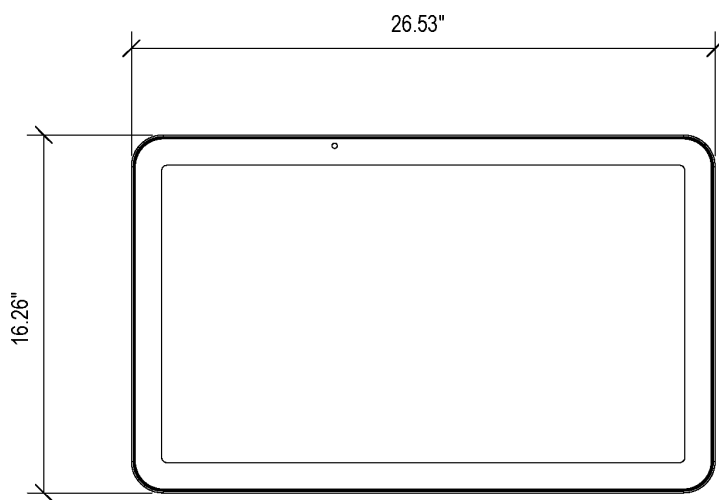
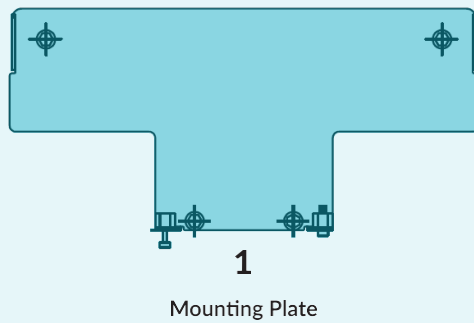
**Power Cord:** USA 1ft NEMA 5-15P Right Angle

16/3AWG SJT Rated up to 13A 125V

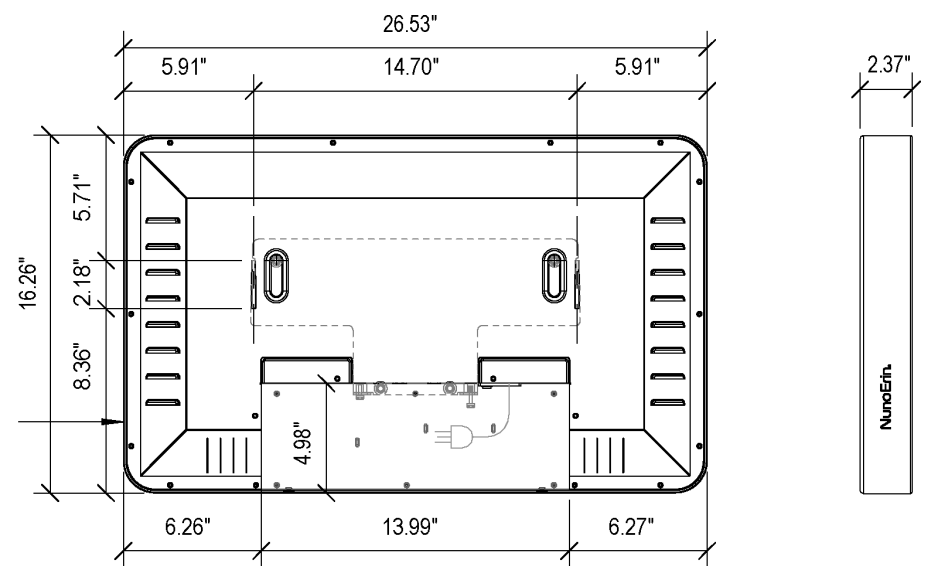
**AC Input:** 100-220V~, 2.5A, 50/60Hz



### PARTS INCLUDED

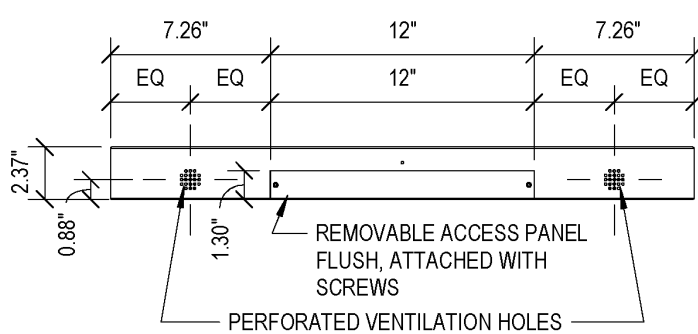


FRONT

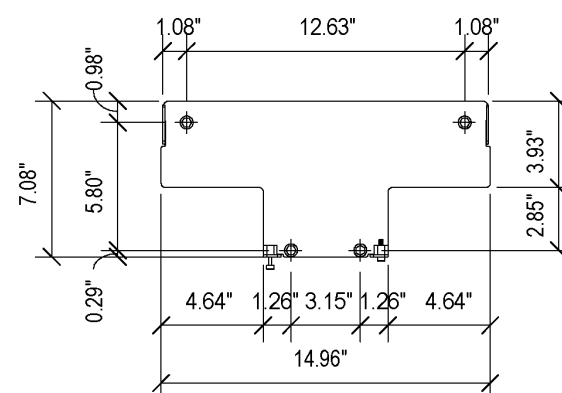


BACK

SIDE

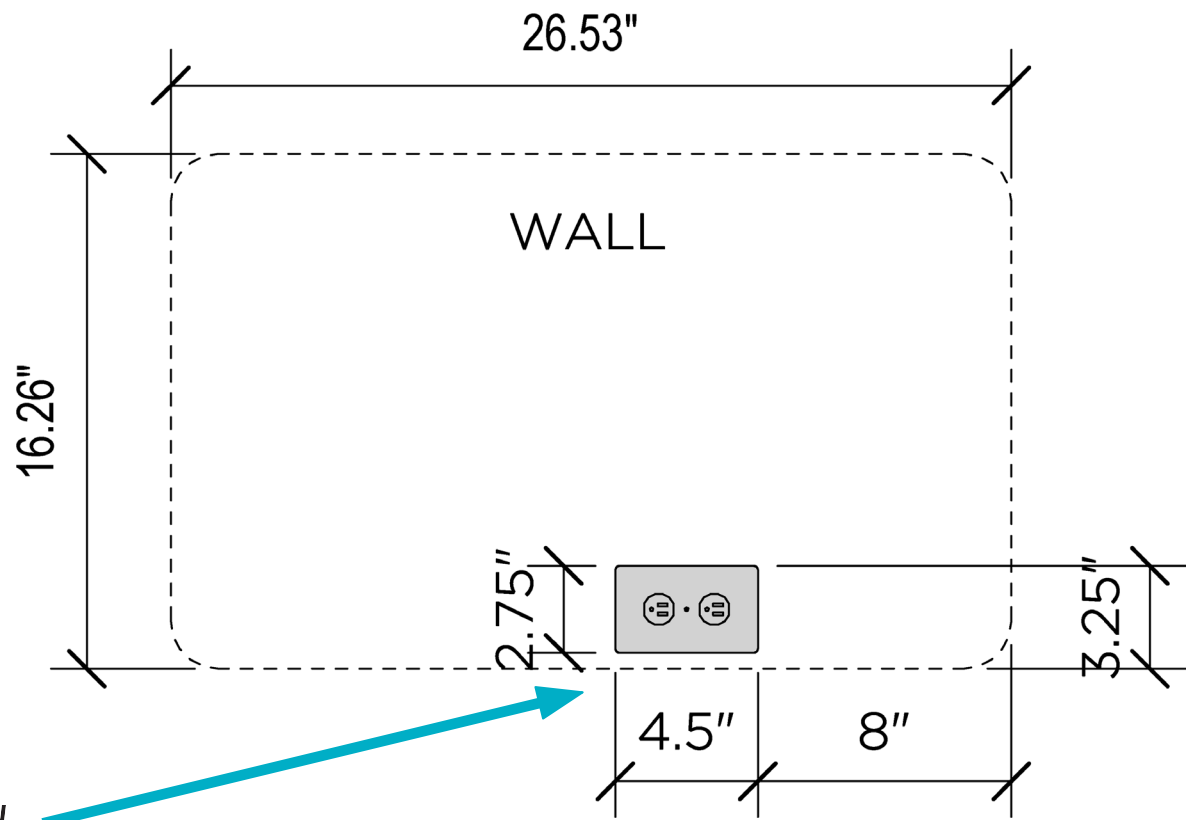


BOTTOM



MOUNTING WALL PLATE

- 1 Install a Power Outlet where the Wall Panel will be mounted.

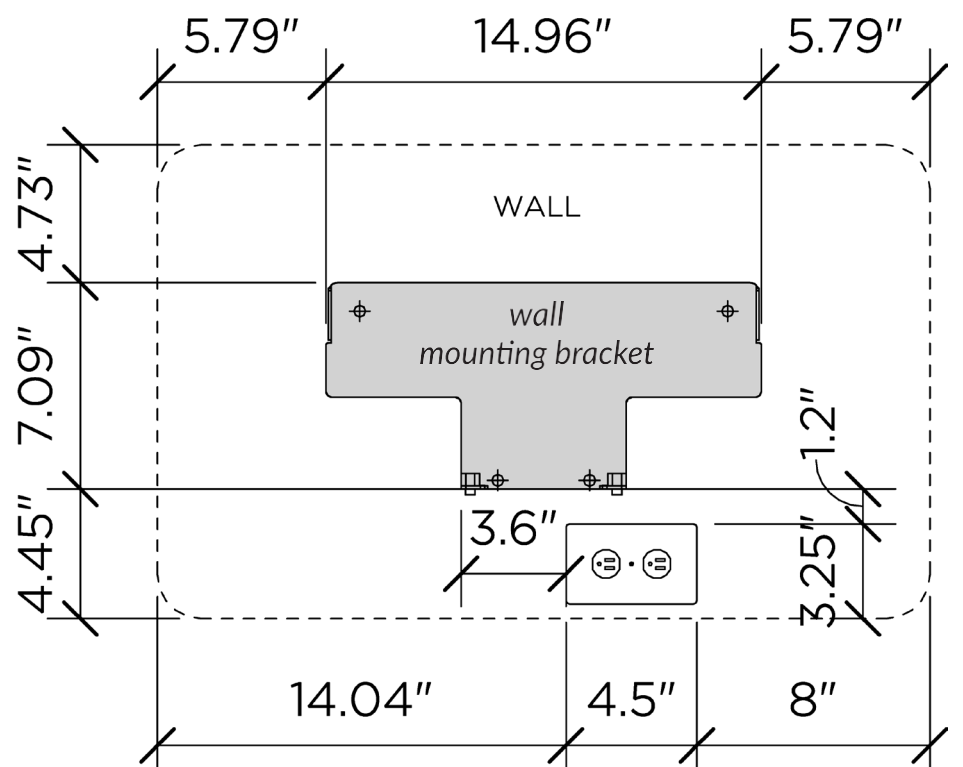
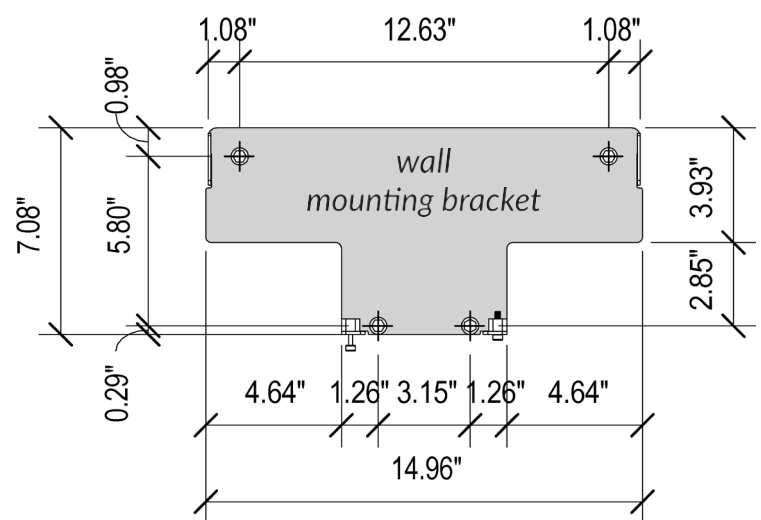
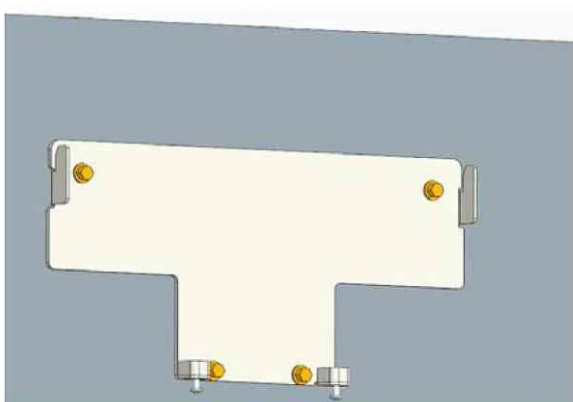
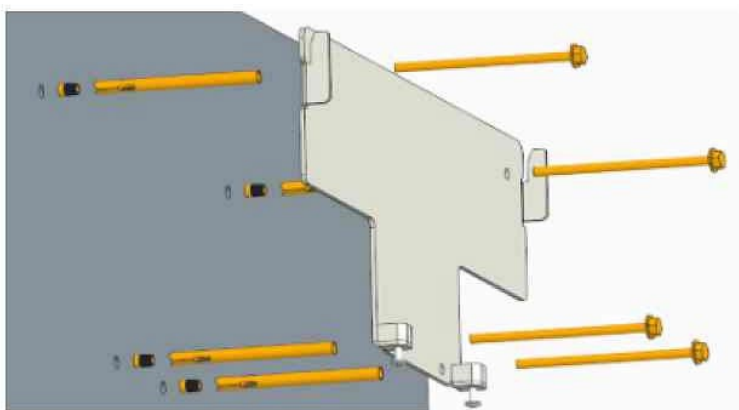


**NOTE:**

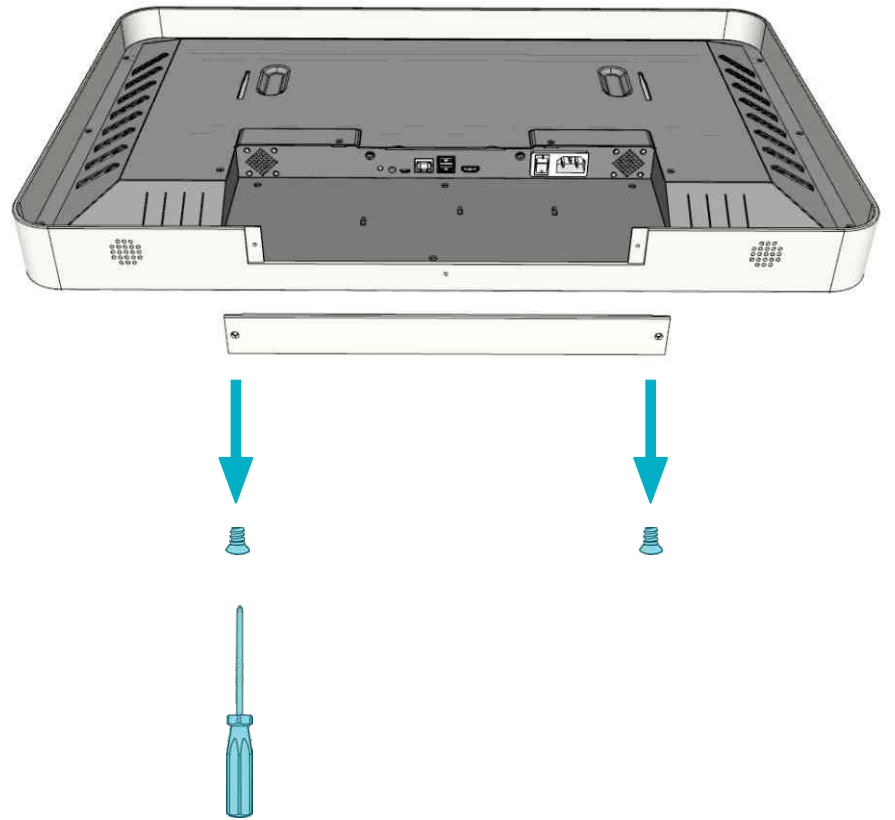
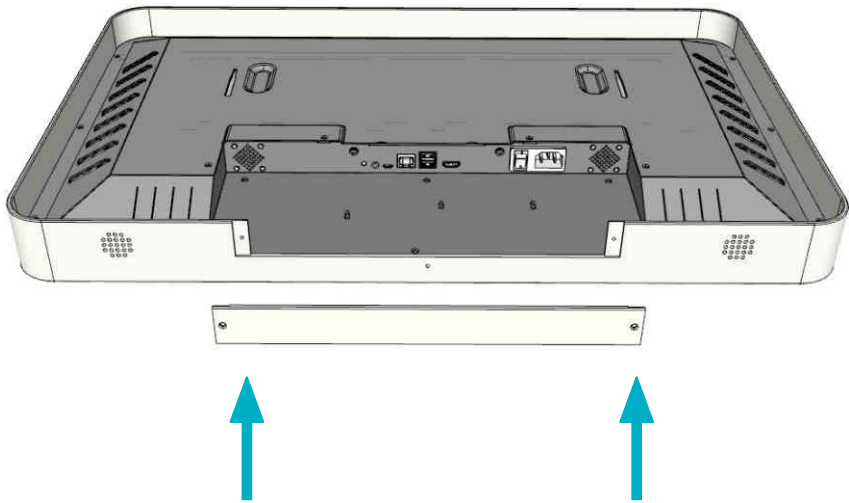
Ensure that the outlet is placed within the recessed zone of the tablet to provide a flush mount to the wall.

- 2 Place the Mounting Bracket on the Wall.

Mark all holes correctly and then tighten the expansion bolts.



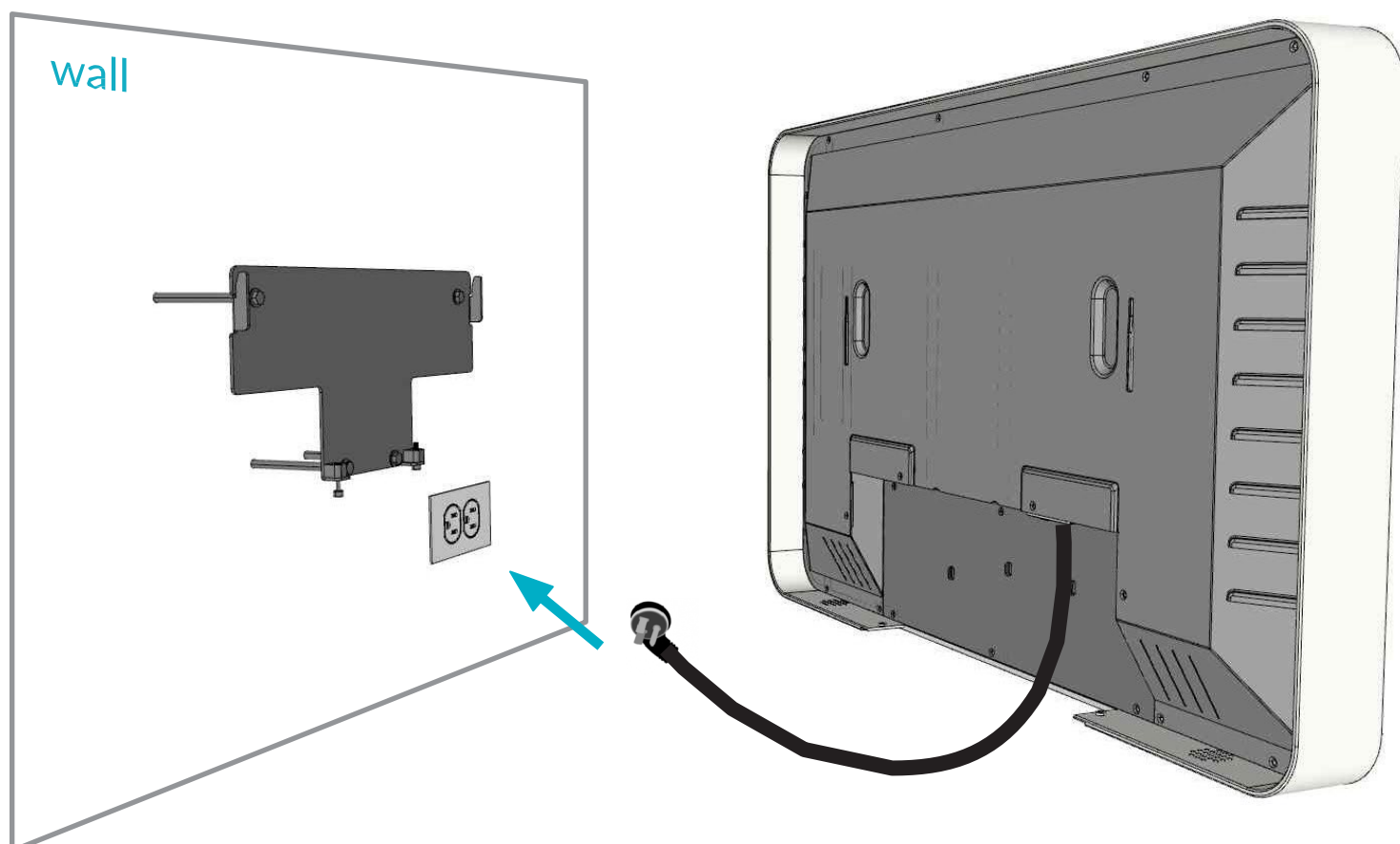
- 3 Remove the tablet's Access Panel located underneath the tablet.



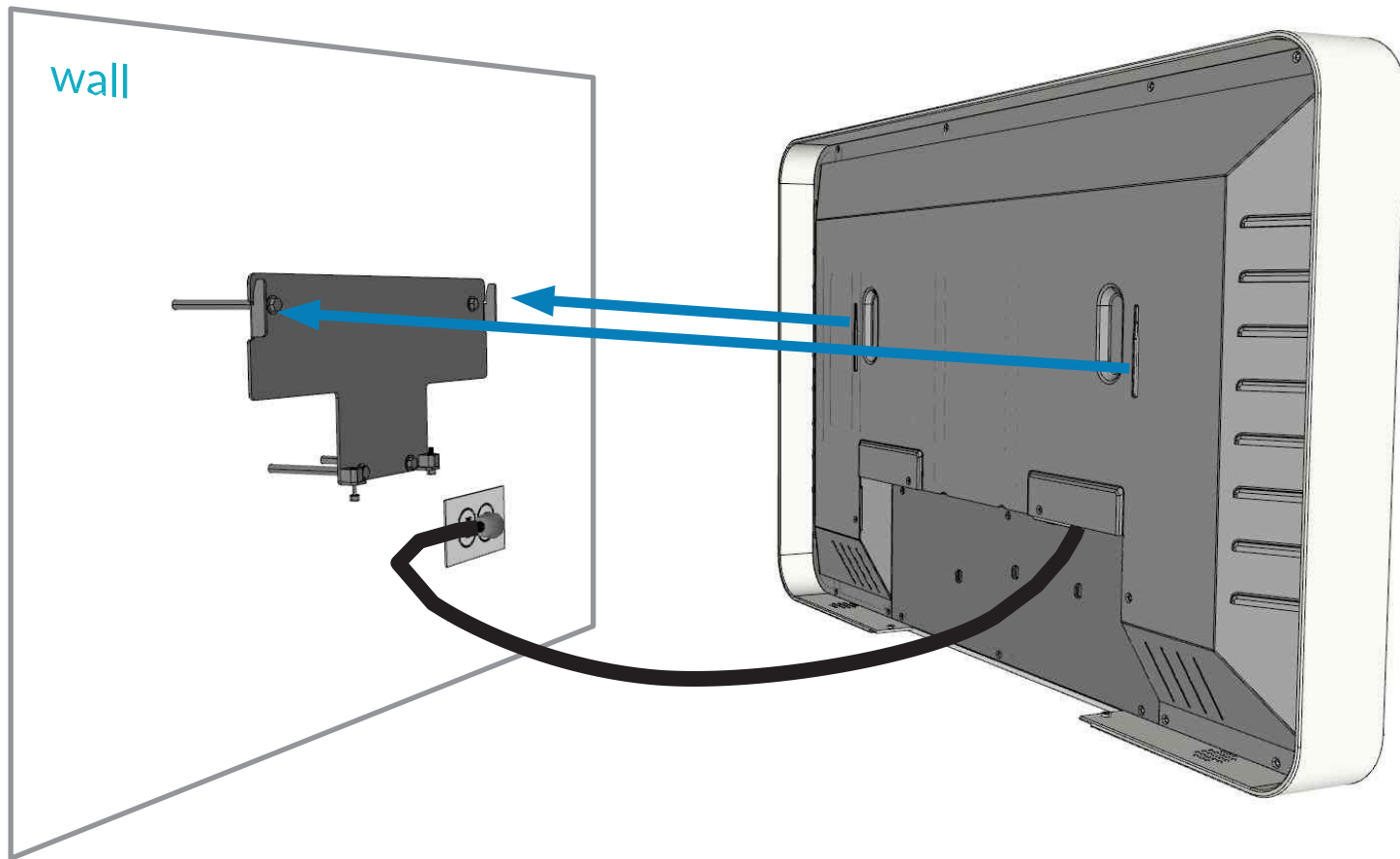
**NOTE:**

Save both access panel screws to reattach the access panel after install.

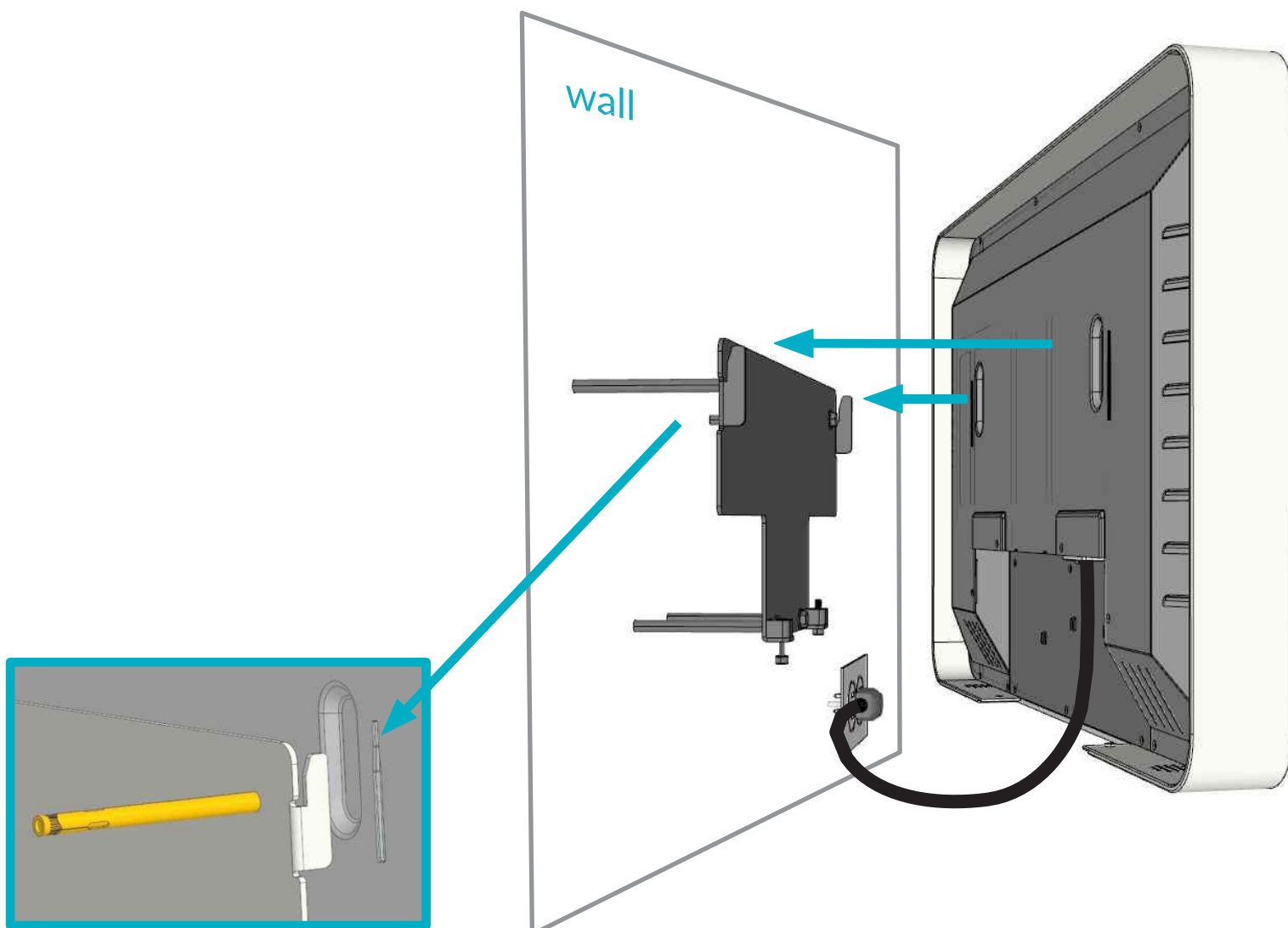
- 4 Connect the Tablet Plug to the Wall Outlet



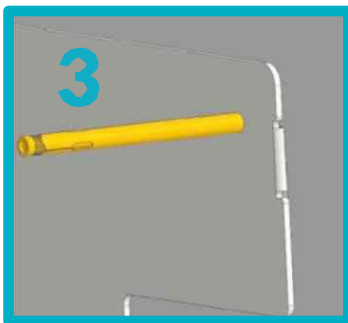
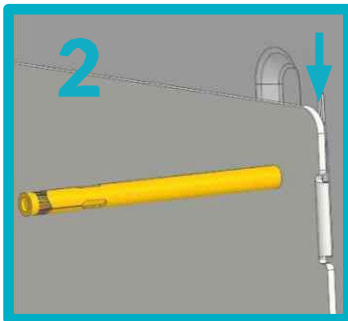
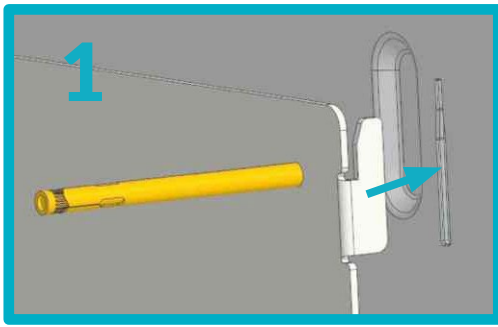
- 5 Align Tablet Openings with Mounting Plate Arms.



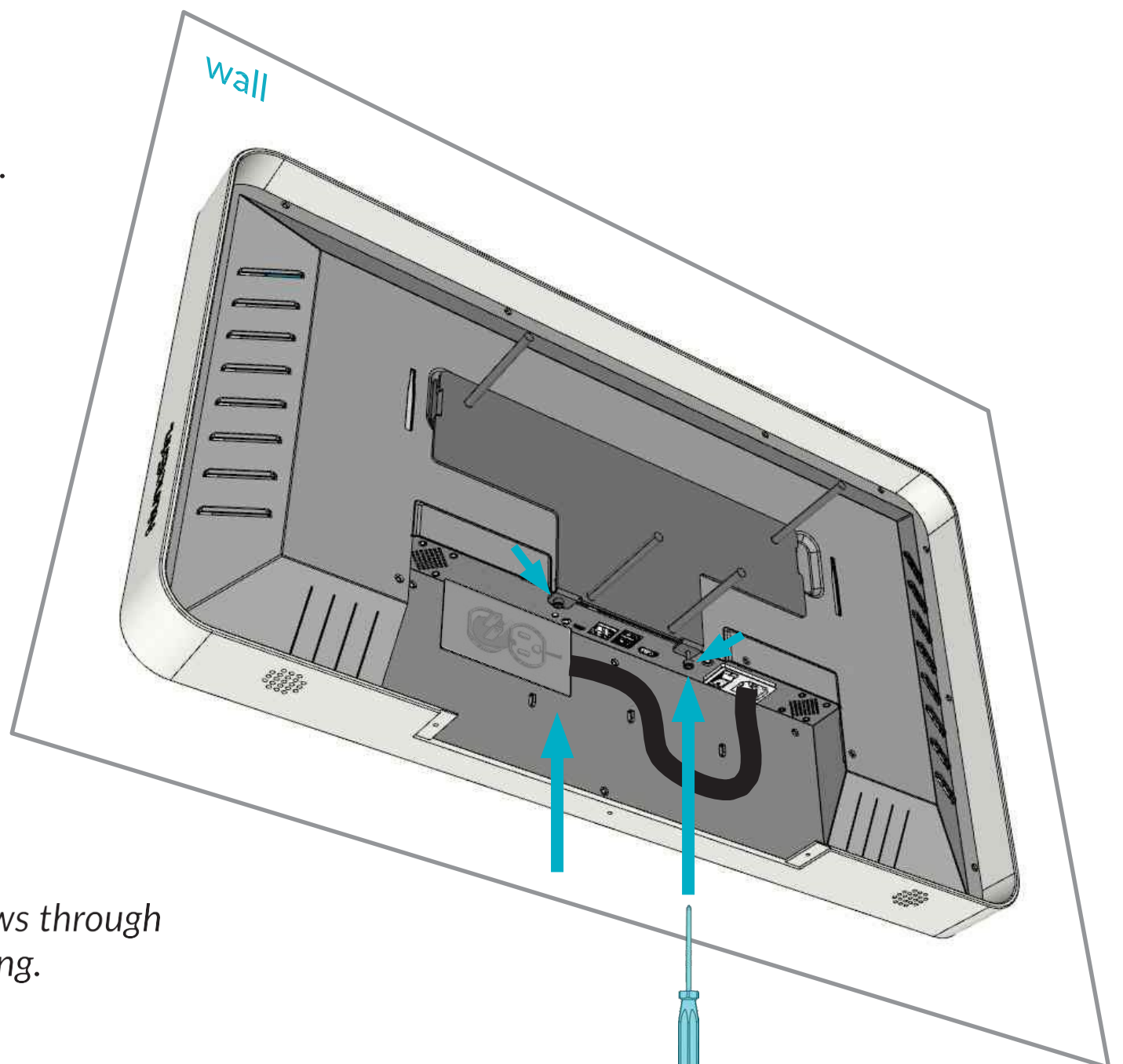
- 6 Lower Tablet onto Mounting Plate Arms.



- 7 Lower Tablet onto Mounting Plate Arms.

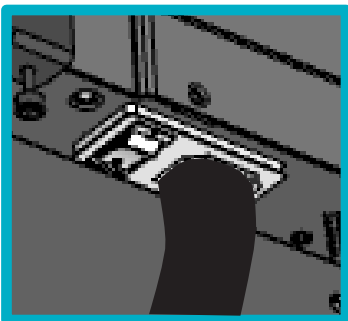
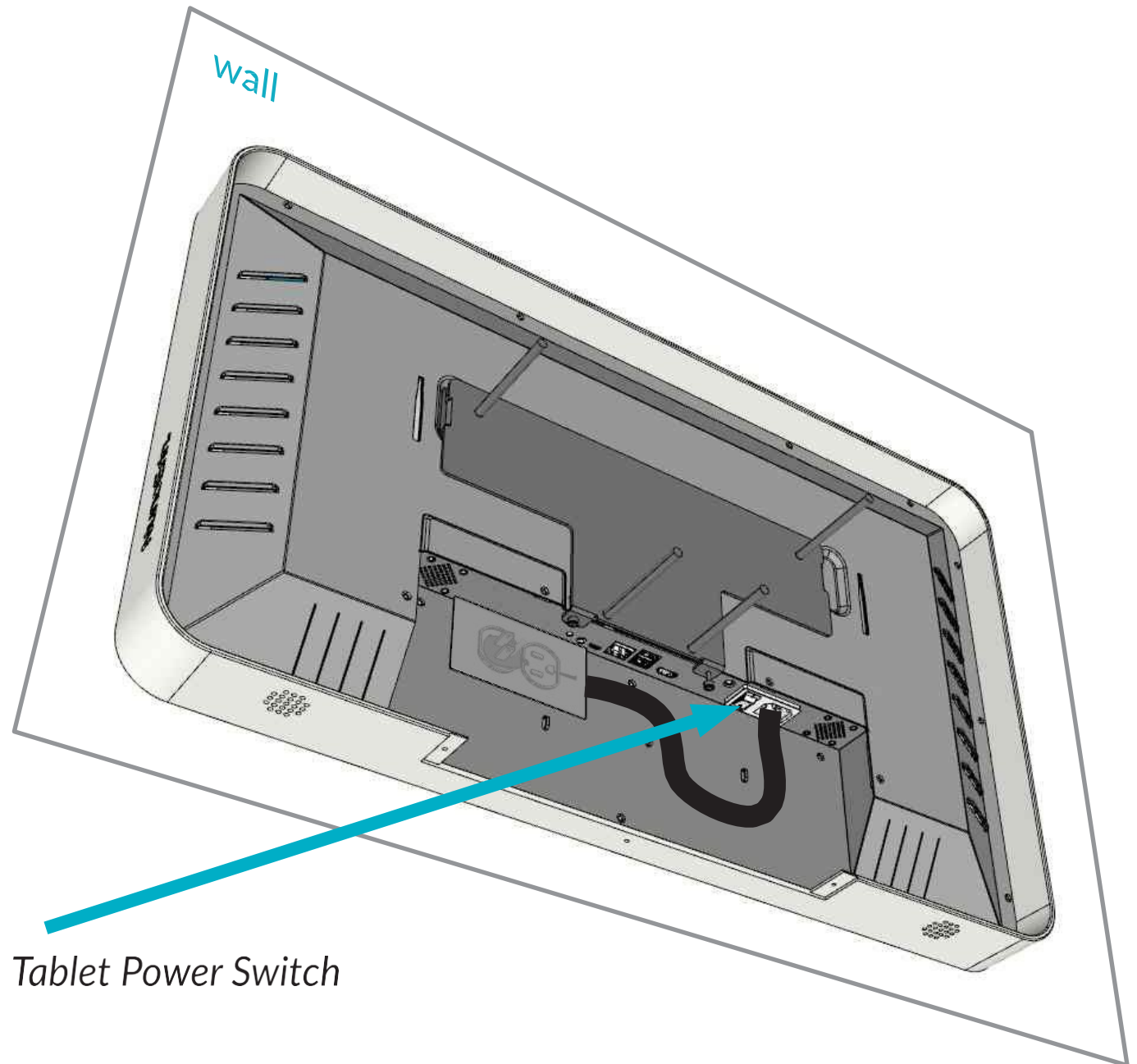


- 8 Tighten two SAFETY SCREWS at bottom of Mounting Bracket.



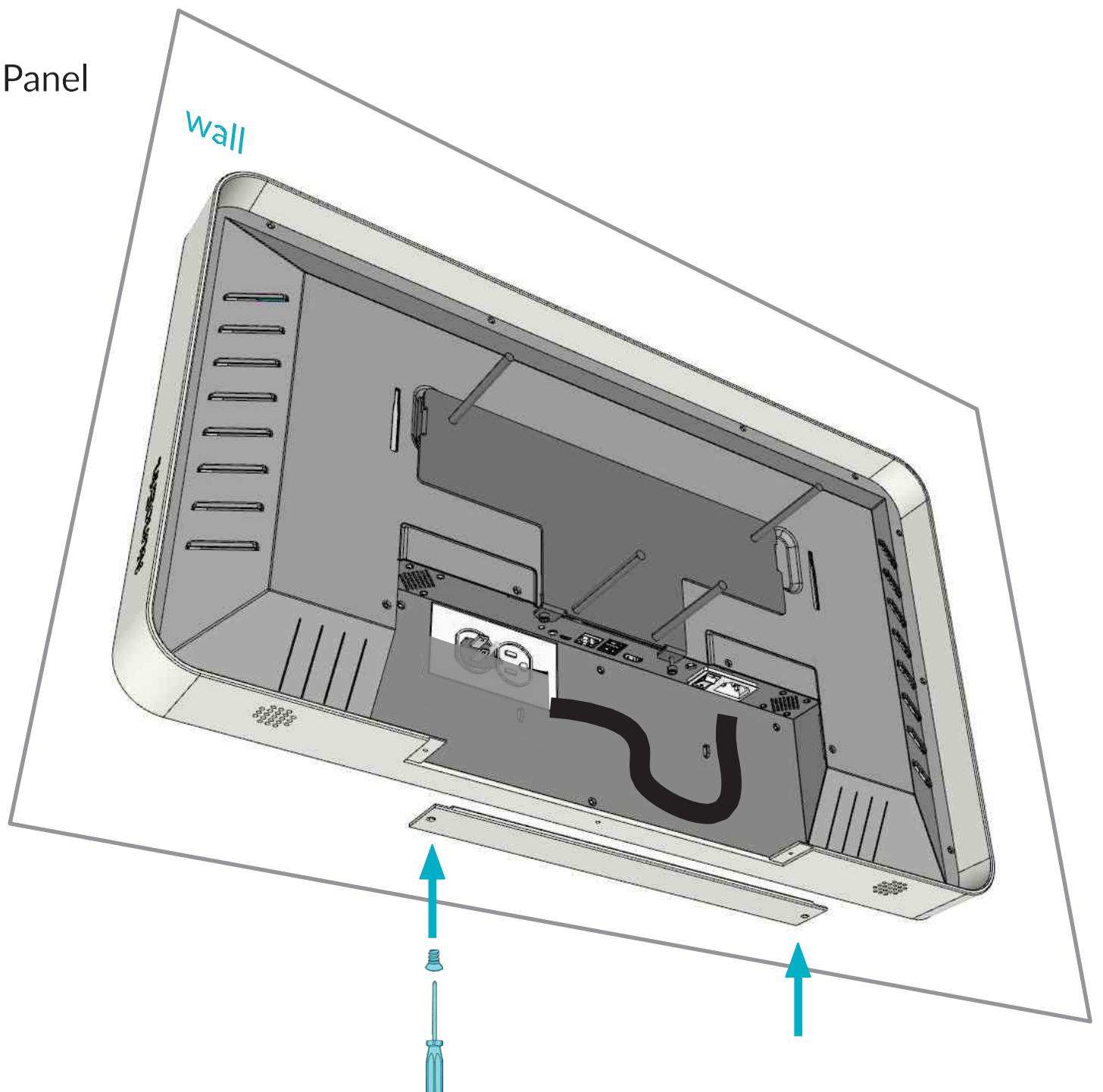
Secure Safety Screws through Access Panel opening.

- 9 Turn on tablet's Power Switch found next to the Power Cord connection.



Tablet Power Switch

- 10 Reattach Access Panel





## 27" Ucreate Tablet



### CLEANING AND MAINTENANCE

Spray with a multi-surface cleaner and wipe using a soft cloth as needed.

Recommended surface cleaners include Fantastik household cleaner, Formula 409 household cleaner, a neutral detergent or isopropyl alcohol with a min 70% concentration.

**DO NOT USE ANY KIND OF CHEMICAL SOLVENT, ACIDIC OR ALKALI SOLUTION.**

For disinfecting, Sani-Cloth® AF3 Germicidal Disposable Wipes, Steris Coverage Plus® and Clorox Healthcare® Hydrogen Peroxide Cleaner Disinfectant Wipes are also recommended.

**DO NOT USE STRONG ACIDIC OR SOLVENT BASED CLEANERS, SUCH AS METHYL-CHLORIDE OR ACETONE.**

**Note:** If the touchscreen is not working correctly, please open the access panel to locate the power switch, turn the unit off, wait one minute, and then turn back on to clear the RAM. If this does not resolve the issue, please contact customer support for assistance. Please see contact information below.



### ELECTRICAL

This product is for use on a nominal 100-220V circuit and must be plugged into an appropriate outlet that is properly installed and grounded in accordance with all local codes and ordinances.

**NOTE: IMPROPER CONNECTION OF EQUIPMENT GROUNDING CONDUCTOR CAN RESULT IN A RISK OF ELECTRIC SHOCK.** Check with a qualified electrician or serviceman if you are in doubt as to whether the product is properly grounded. Do not modify the plug provided with the product or if it will not fit the outlet, have a proper outlet installed by a qualified electrician.

**INSTALLATION OF NUNOERIN PRODUCTS:** Installation of all NunoErin is solely the responsibility of the builder, contractor, interior design and décor vendor, or the Customer. NunoErin has no control over the installer or the installation process and will not be responsible for any installations that are not done in a good, workmanlike manner, that do not follow NunoErin installation recommendations noted in the Product Literature or that fail to conform to electrical codes. NunoErin assumes no responsibility for such compliance. Consult your local building code officials for specific requirements.

**Note:** No NunoErin representative, dealer or salesperson is authorized to assist in the measurement of installation of NunoErin Products in the field. Customers are advised to obtain the proper measurements, specifications and sizes only from their builder, designer or engineer. Accordingly, any assistance provided in the field by a NunoErin representative should not be relied upon and will not be binding upon NunoErin in any form or fashion. NunoErin shall not be liable in any form of measures from incorrect measurements or specifications made in the field, irrespective of whether a NunoErin representative was involved in the process.