



15.6" Ucreate Tablet with Wedge Mount



Installation Guidelines

Product Specifications

Product Name:
 15.6" Ucreate Tablet Wedge Mount

Model: UCWM-AAA-15-6

Tablet Dimensions:
 15.7" x 9.96" x 1.88"

Tablet & Wedge Mount Dimensions:
 16.5" x 11.75" x 4.5"

Materials Specifications

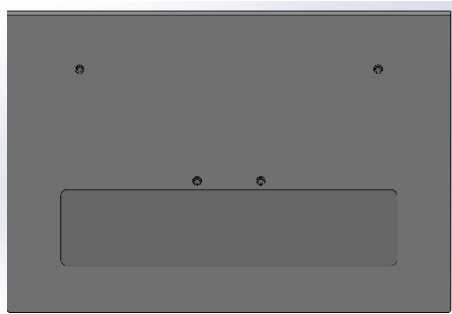
Display: 15.6", FHD 1920x1080
Touch: 10 Touch-Points, 15.6" PCAP
Glass: 6mm Tempered Glass anti-glare/scratch coating
Frame/Back: Aluminum, PC Wht., RoHS
Temperature: Operation 0~50C - Storage -20 / 60C
Weight (Tablet & Mounting Plate): 13.25lbs

Electrical - Power

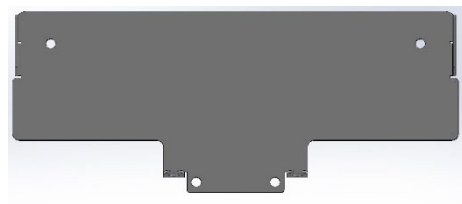
Power Cord: 1USA 1ft NEMA 5015P Right Angle 16/3AWG SJT Rated up to 13S 125V
AC Input: 100-220V~, 2.5A, 50/60Hz



Parts Included



1
Wedge



1
Tablet Mounting Plate



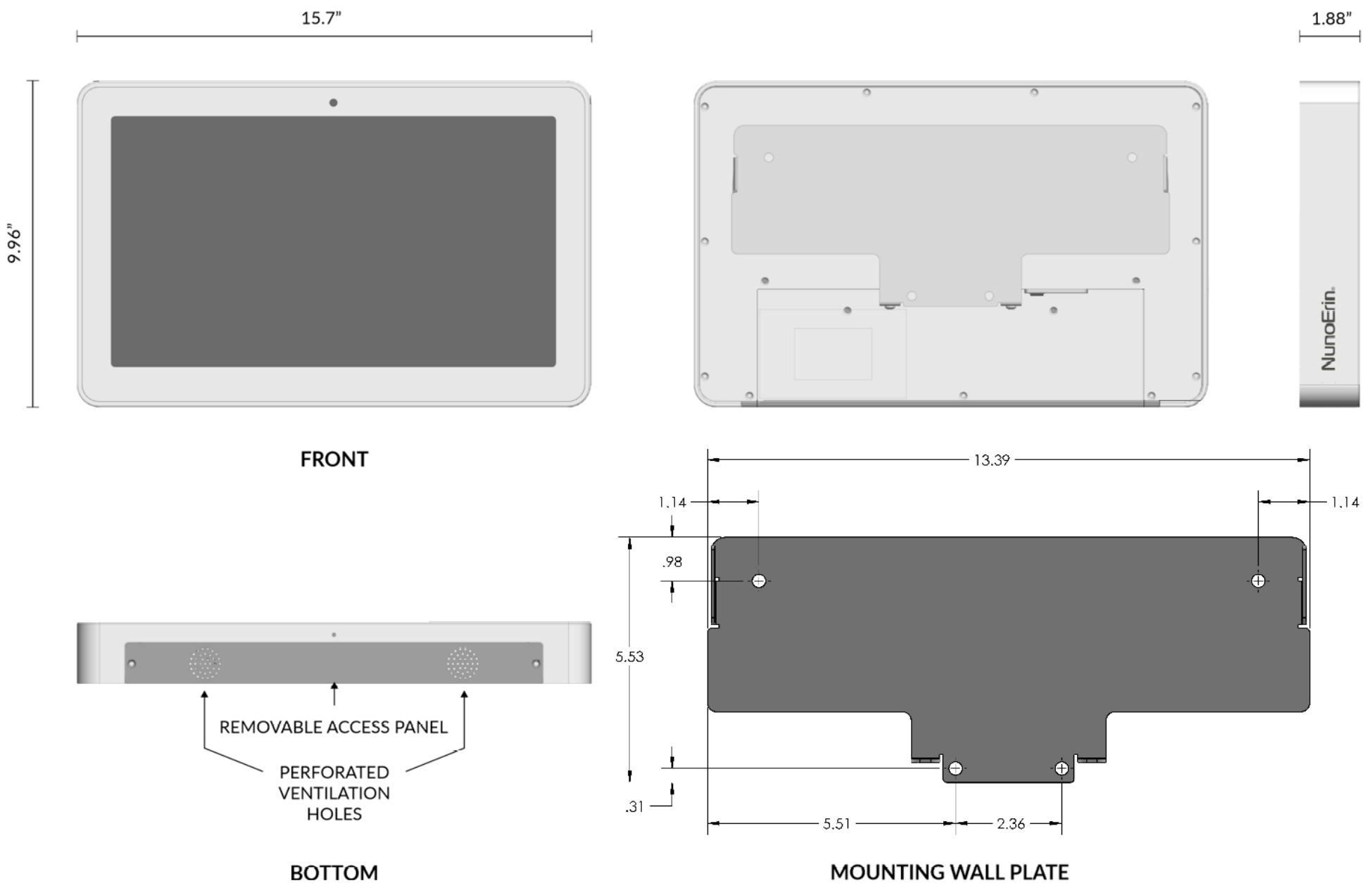
3
No.14
Wood Screw



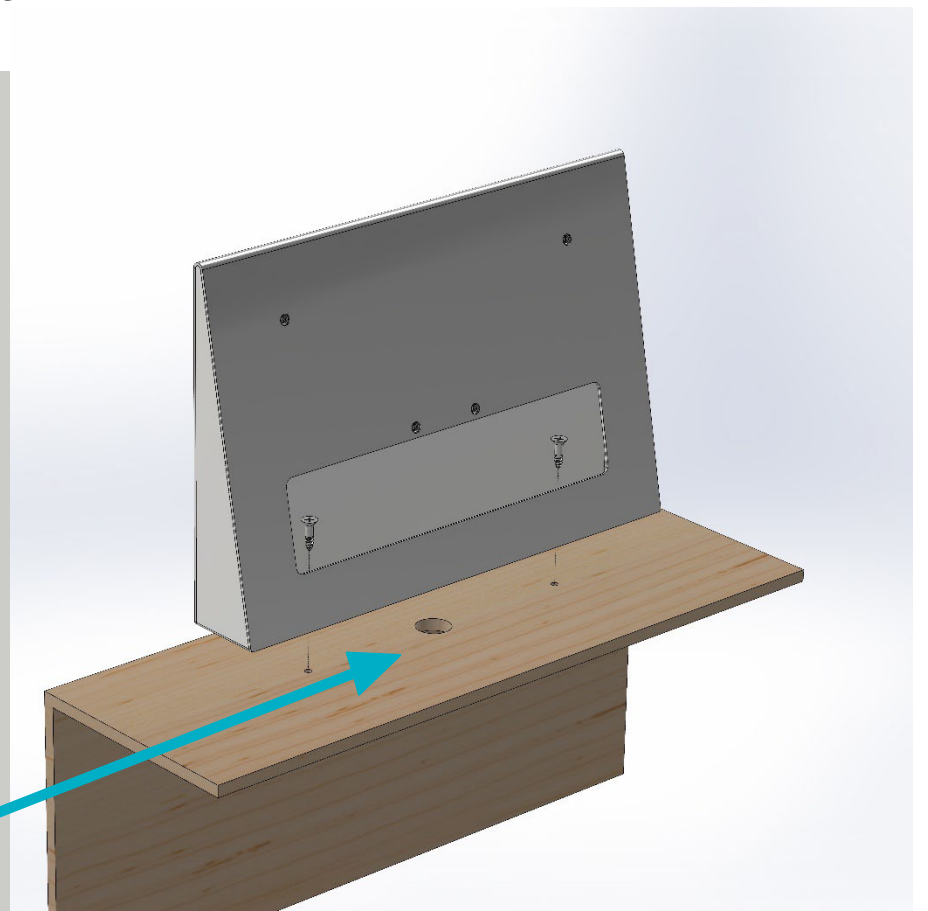
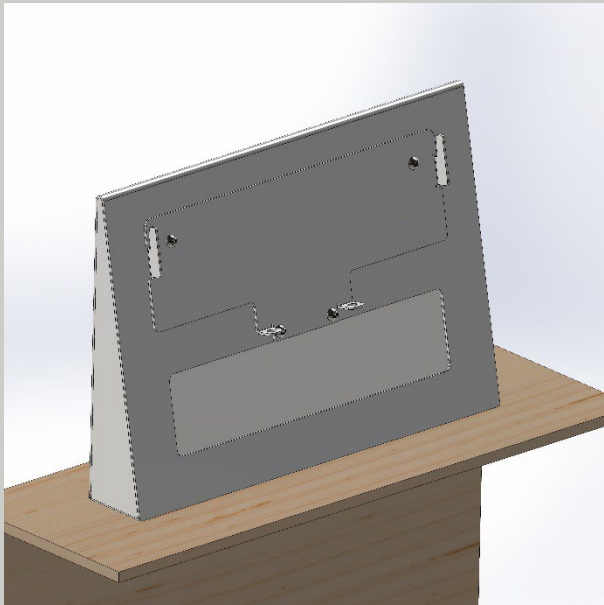
4
1/4-20 x 3/8"
Button Head Screw



5
M3 x 0.5
Phillips Head Screw



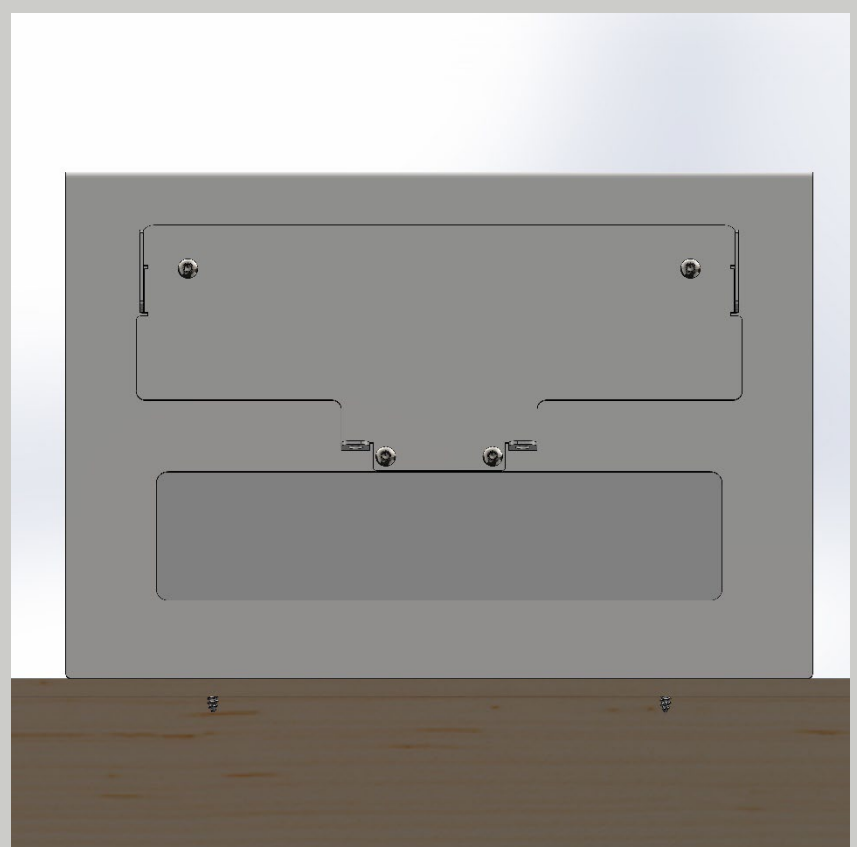
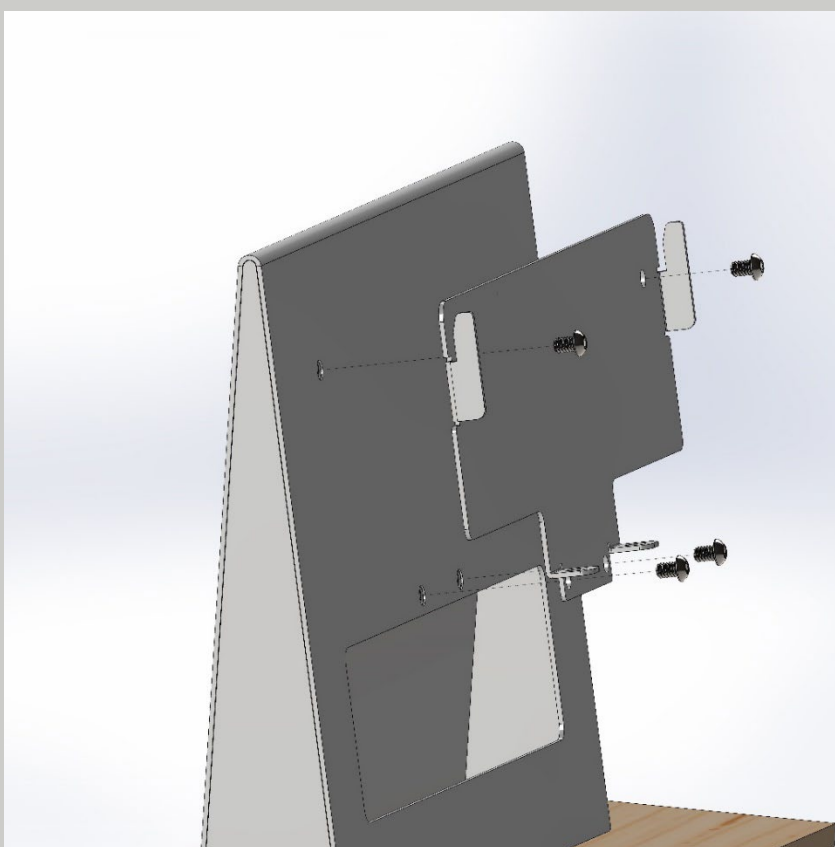
- 1 Place the Wedge on the Tabletop surface. Mark 2 mounting holes correctly and then tighten with the wood screw.



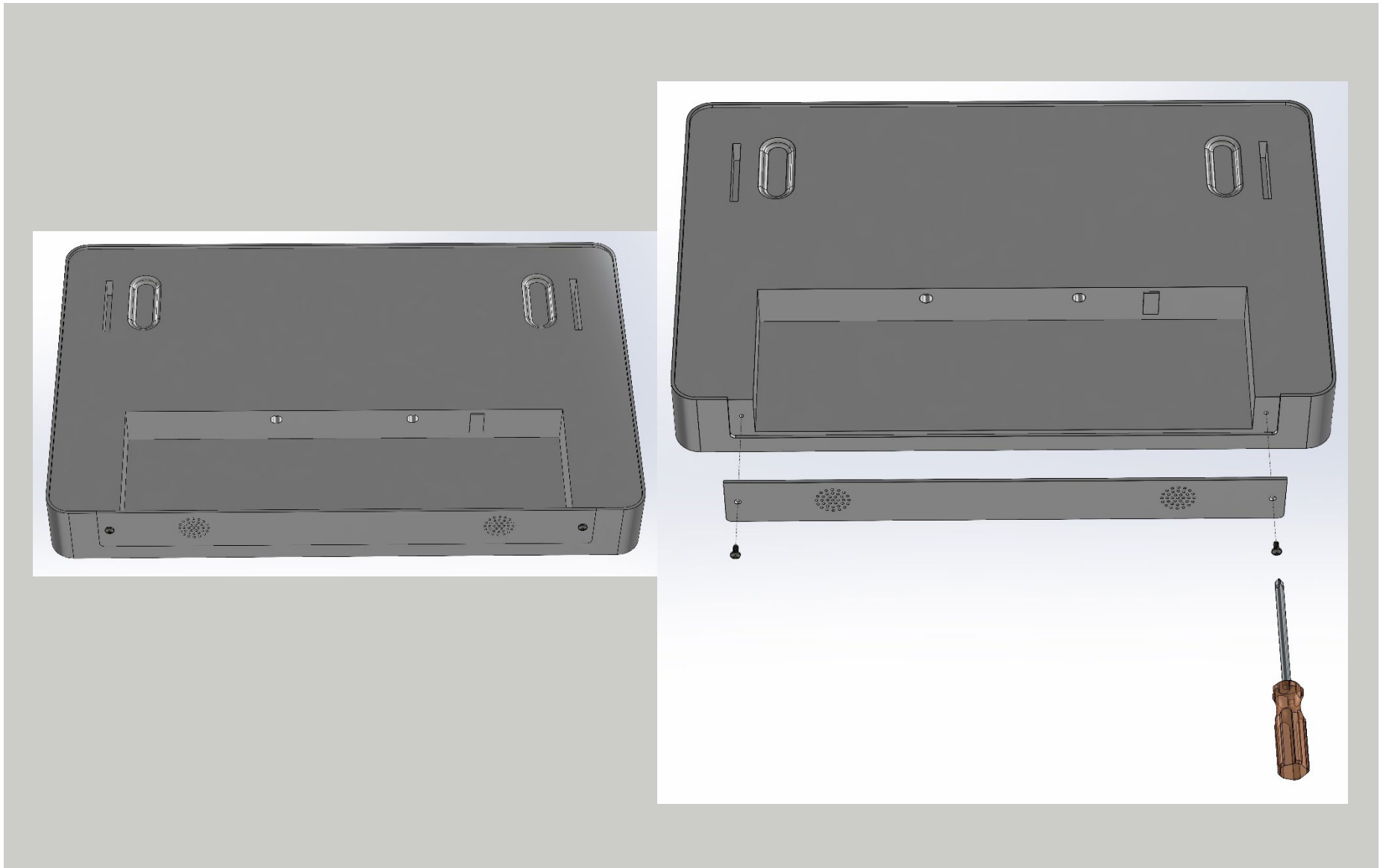
NOTE:

Ensure that the wedge is placed in the correct position to match the Power cord cable in the Table top.

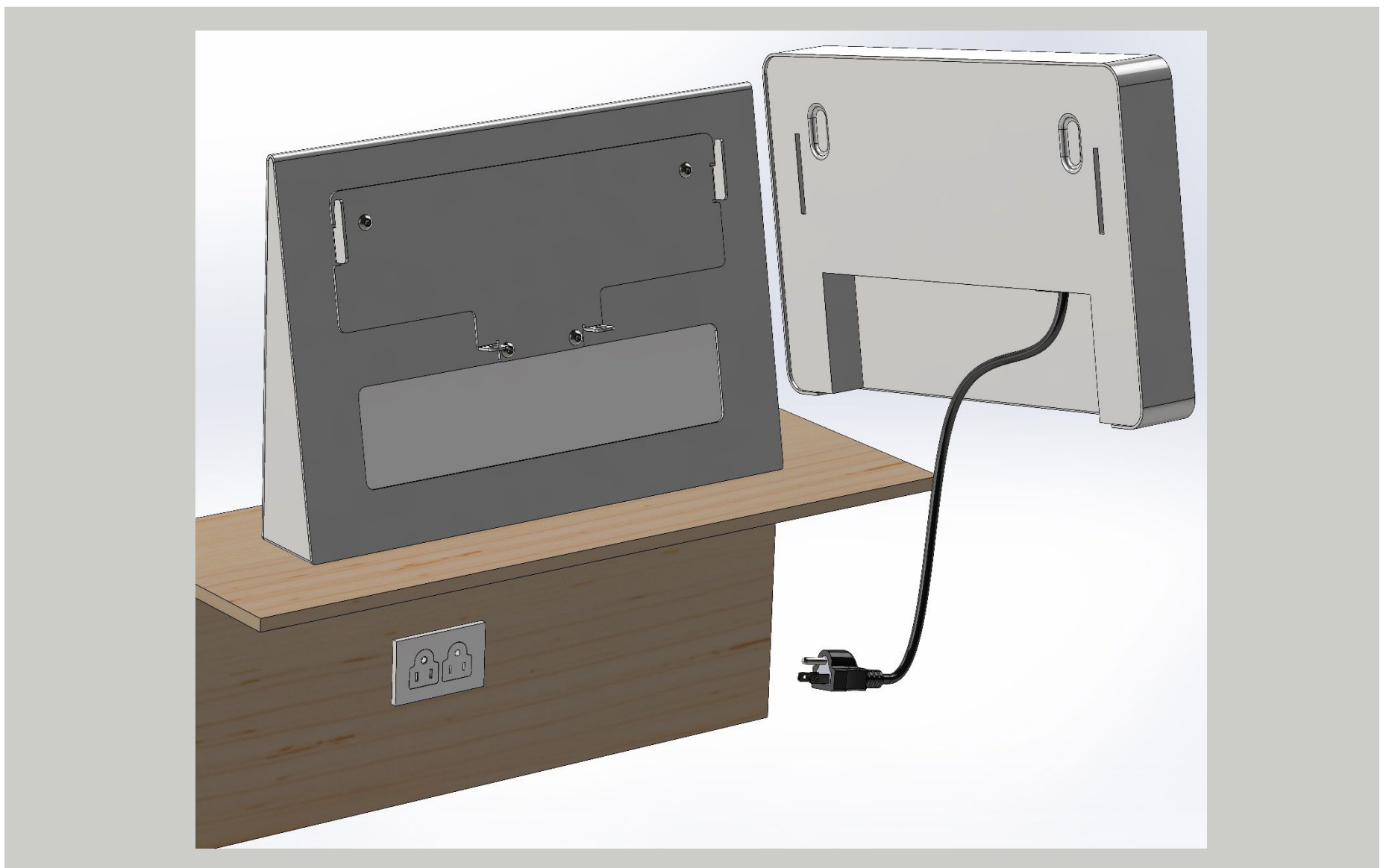
- 2 Assemble the Tablet Mounting Plate with a Wedge using Phillips Head $\frac{1}{4}$ -20 x $\frac{3}{8}$ Screws.



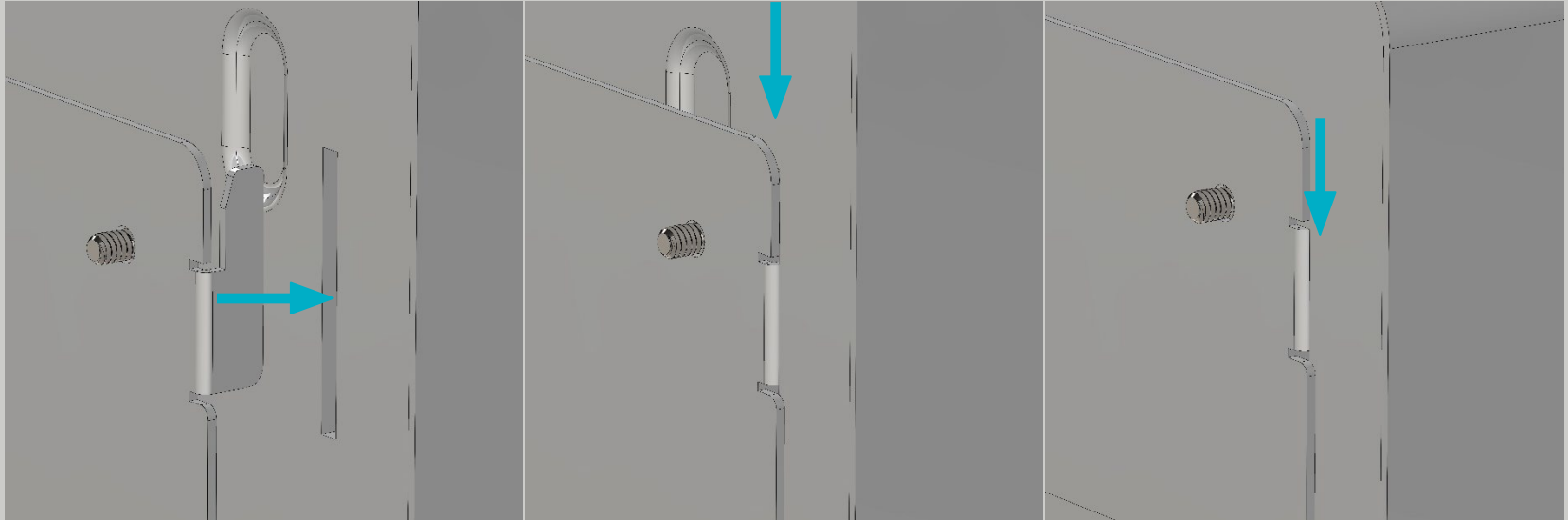
- 3 Remove the tablet's access panel located underneath the tablet.



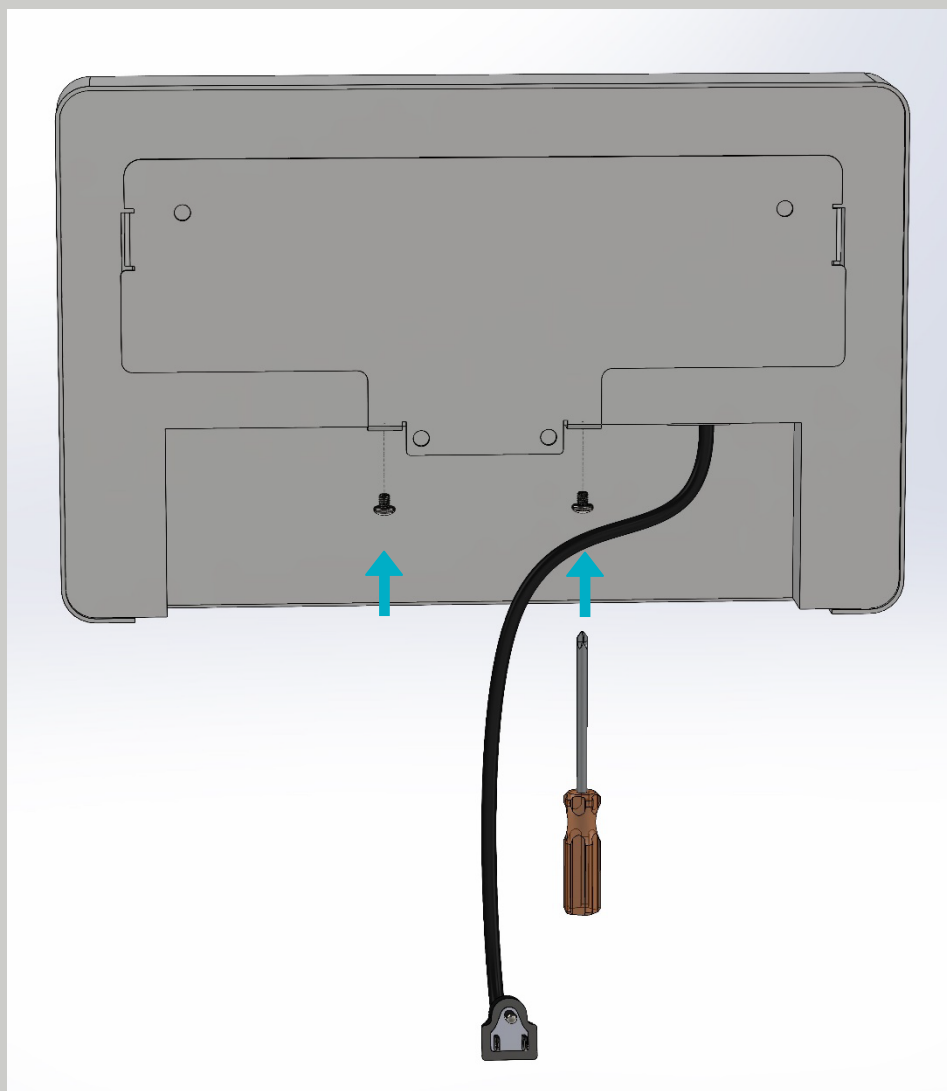
- 4 Align tablet openings with mounting plate arms.



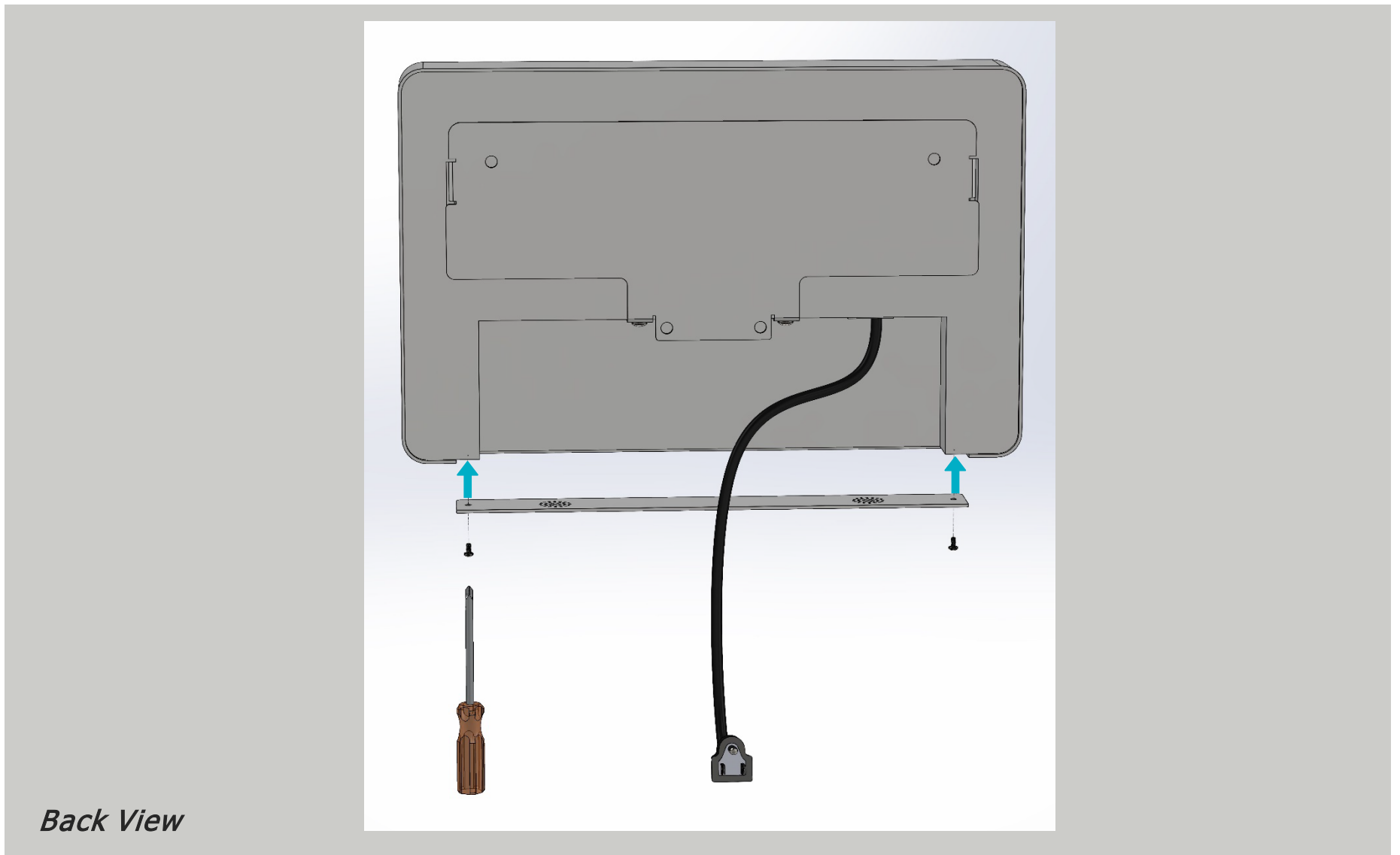
- 5 Lower tablet onto mounting plates arms.



- 6 Secure safety screws through access panel opening at bottom of mounting bracket.



- 7 Turn on tablet's power switch next to the power cord. Reattach access panel.



- 8 Put the Power Plug in to the Socket





15.6" Ucreate Tablet with Wedge Mount



CLEANING AND MAINTENANCE

Spray with a multi-surface cleaner and wipe using a soft cloth as needed.

Recommended surface cleaners include Fantastik household cleaner, Formula 409 household cleaner, a neutral detergent or isopropyl alcohol with a min 70% concentration.

DO NOT USE ANY KIND OF CHEMICAL SOLVENT, ACIDIC OR ALKALI SOLUTION.

For disinfecting, Sani-Cloth® AF3 Germicidal Disposable Wipes, Steris Coverage Plus® and Clorox Healthcare® Hydrogen Peroxide Cleaner Disinfectant Wipes are also recommended.

DO NOT USE STRONG ACIDIC OR SOLVENT BASED CLEANERS, SUCH AS METHYL-CHLORIDE OR ACETONE.

Note: If the touchscreen is not working correctly, please open the access panel to locate the power switch, turn the unit off, wait one minute, and then turn back on to clear the RAM. If this does not resolve the issue, please contact customer support for assistance. Please see contact information below.



ELECTRICAL

This product is for use on a nominal 100-220V circuit and must be plugged into an appropriate outlet that is properly installed and grounded in accordance with all local codes and ordinances.

NOTE: IMPROPER CONNECTION OF EQUIPMENT GROUNDING CONDUCTOR CAN RESULT IN A RISK OF ELECTRIC SHOCK. Check with a qualified electrician or serviceman if you are in doubt as to whether the product is properly grounded. Do not modify the plug provided with the product or if it will not fit the outlet, have a proper outlet installed by a qualified electrician.

INSTALLATION OF NUNOERIN PRODUCTS: Installation of all NunoErin is solely the responsibility of the builder, contractor, interior design and décor vendor, or the Customer. NunoErin has no control over the installer or the installation process and will not be responsible for any installations that are not done in a good, workmanlike manner, that do not follow NunoErin installation recommendations noted in the Product Literature or that fail to conform to electrical codes. NunoErin assumes no responsibility for such compliance. Consult your local building code officials for specific requirements.

Note: No NunoErin representative, dealer or salesperson is authorized to assist in the measurement of installation of NunoErin Products in the field. Customers are advised to obtain the proper measurements, specifications and sizes only from their builder, designer or engineer. Accordingly, any assistance provided in the field by a NunoErin representative should not be relied upon and will not be binding upon NunoErin in any form or fashion. NunoErin shall not be liable in any form of measures from incorrect measurements or specifications made in the field, irrespective of whether a NunoErin representative was involved in the process.

NunoErin®

533 Commerce Street
Jackson, MS 39201 USA

O: 01.601.944.0023 Customer Service: support@nunoerin.com

Confidential Information © NunoErin.